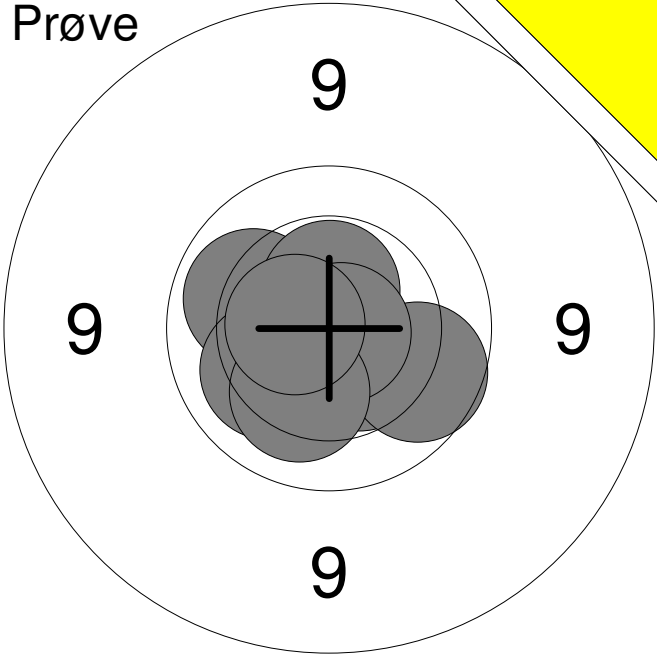
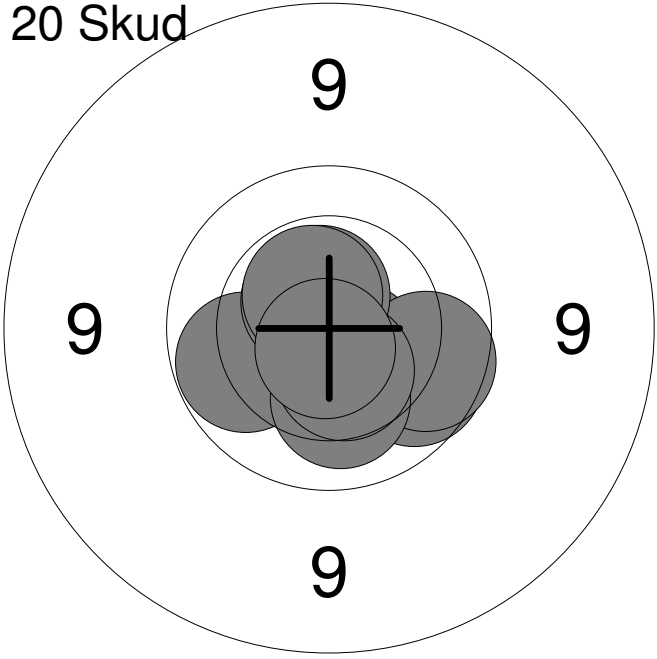
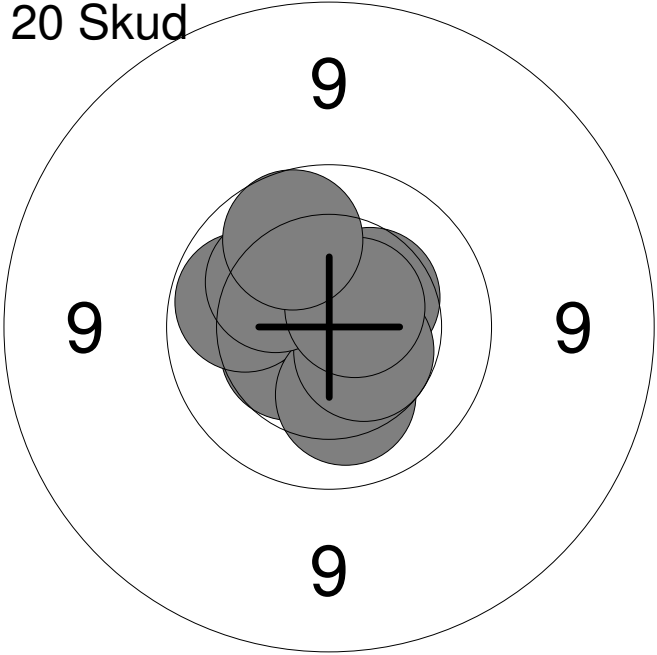
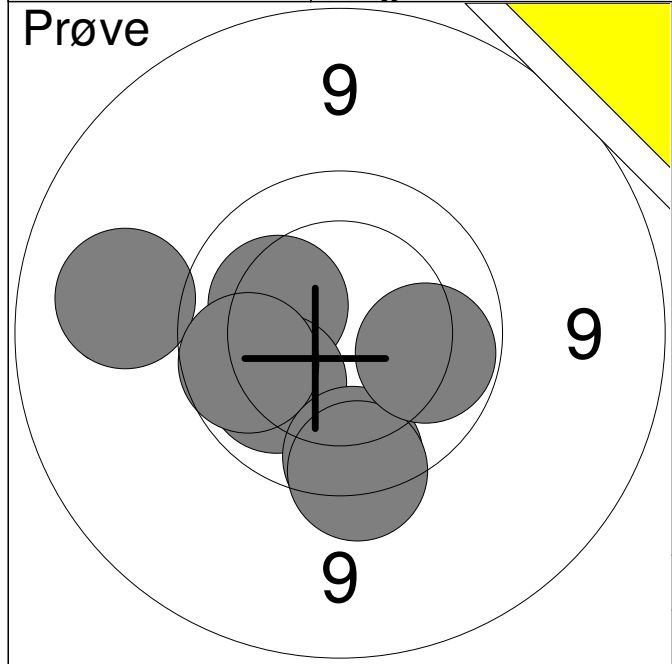
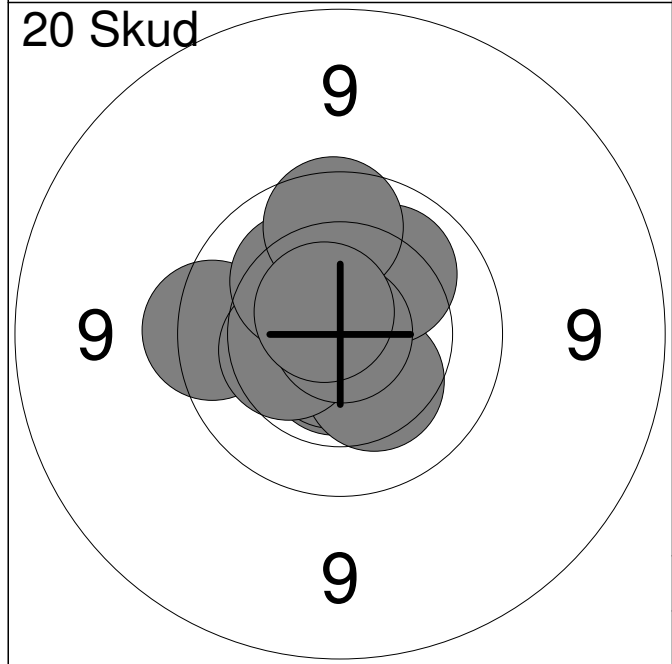


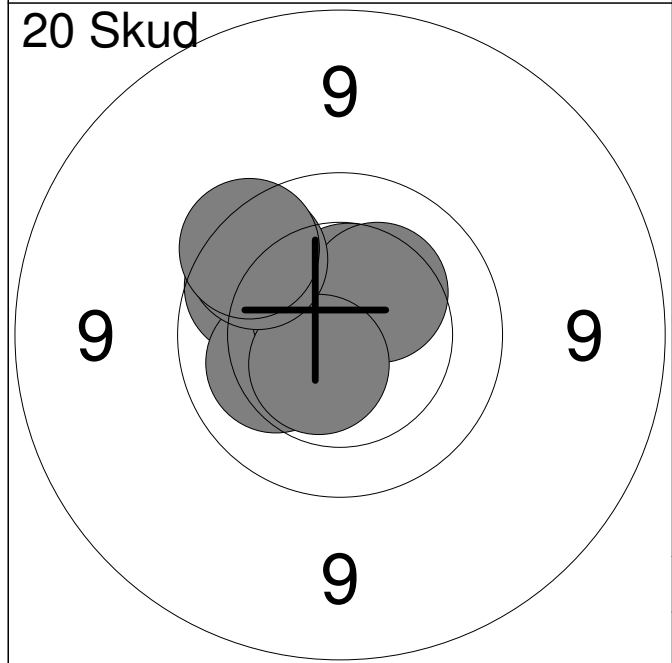
| Hold | Skive | Bodil Abildgaard | |
|--------------------------|--|---------------------|--------------|
| 19 | 1 | | |
| 15m | Hobro Egnens Skytteforening | | ÅK1 |
| Nordjysk Mesterskab 2015 | | Aalborg Skyttekreds | |
| Prøve |  | 1: 10.1 ↗ | |
| | | 2: 10.2 ↖ | |
| | | 3: 10.5 ↘ | |
| | | 4: 9.9 ↘ | |
| | | 5: 10.5x ↑ | |
| | | 6: 10.8x → | |
| | | 7: 10.2 ↙ | |
| | | 8: 10.6x ← | |
| | | Serie | 79.0 |
| | | Total | 0.0 |
| 20 Skud |  | 1: 9.9 ↘ | |
| | | 2: 10.0 ↖ | |
| | | 3: 10.6x ↘ | |
| | | 4: 9.9 ↘ | |
| | | 5: 10.2 ↘ | |
| | | 6: 10.5 ↘ | |
| | | 7: 10.6x ↗ | |
| | | 8: 10.6x ↗ | |
| | | 9: 10.6x ↗ | |
| | | 10: 10.7x ↘ | |
| | | Serie | 98.0 |
| | | Total | 98.0 |
| 20 Skud |  | 11: 10.6x ↖ | |
| | | 12: 10.4 ↗ | |
| | | 13: 10.5 ↖ | |
| | | 14: 10.6x ↗ | |
| | | 15: 10.0 ↗ | |
| | | 16: 10.2 ↘ | |
| | | 17: 10.5 ↘ | |
| | | 18: 10.2 ↗ | |
| | | 19: 10.6x ↗ | |
| | | 20: 9.9 ↗ | |
| | | Serie | 99.0 |
| | | Total | 197.0 |



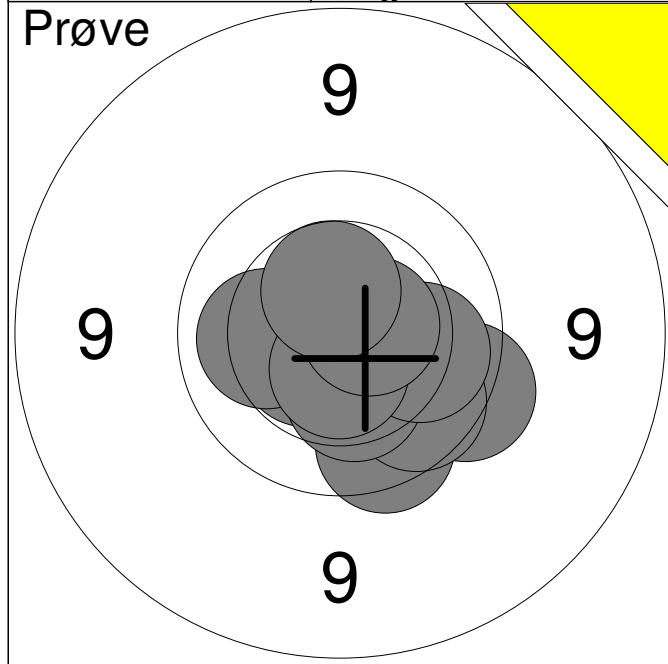
| | | |
|--------------|------|-------------|
| 1: | 9.2 | ← |
| 2: | 10.2 | ↗ |
| 3: | 10.1 | ↘ |
| 4: | 9.9 | ← |
| 5: | 9.8 | ↓ |
| 6: | 9.7 | ↓ |
| 7: | 10.0 | → |
| Serie | | 66.0 |
| Total | | 0.0 |



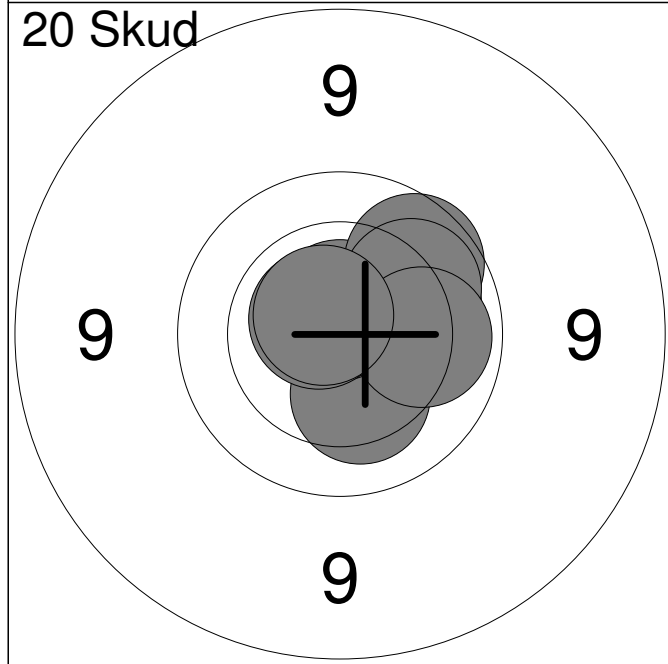
| | | |
|--------------|-------|-------------|
| 1: | 10.6x | ↓ |
| 2: | 10.7x | ↓ |
| 3: | 10.3 | ↓ |
| 4: | 9.7 | ← |
| 5: | 10.4 | ← |
| 6: | 10.1 | ↗ |
| 7: | 10.2 | ↗ |
| 8: | 10.9x | → |
| 9: | 9.9 | ↑ |
| 10: | 10.7x | ↗ |
| Serie | | 98.0 |
| Total | | 98.0 |



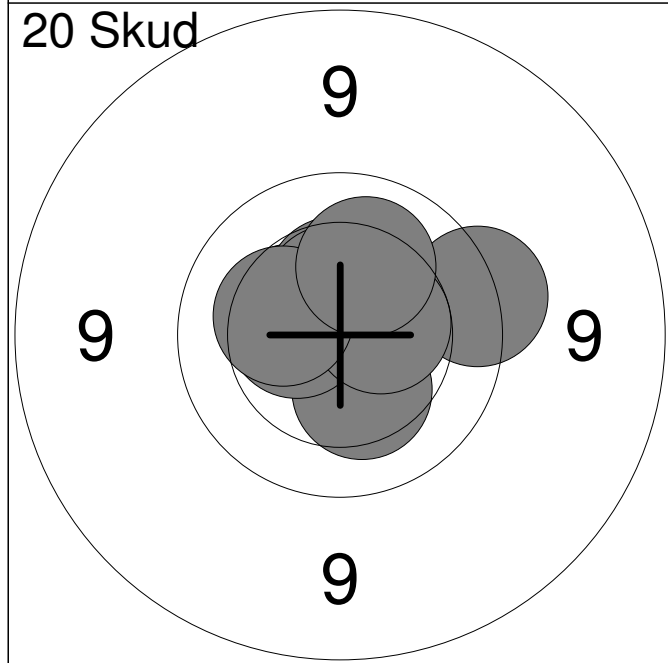
| | | |
|--------------|-------|--------------|
| 11: | 10.7x | ↗ |
| 12: | 9.9 | ↗ |
| 13: | 10.2 | ← |
| 14: | 10.7x | ↗ |
| 15: | 10.5x | ↗ |
| 16: | 10.5x | ↑ |
| 17: | 10.3 | ↗ |
| 18: | 10.6x | ↘ |
| 19: | 9.8 | ↗ |
| 20: | 9.8 | ↗ |
| Serie | | 97.0 |
| Total | | 195.0 |



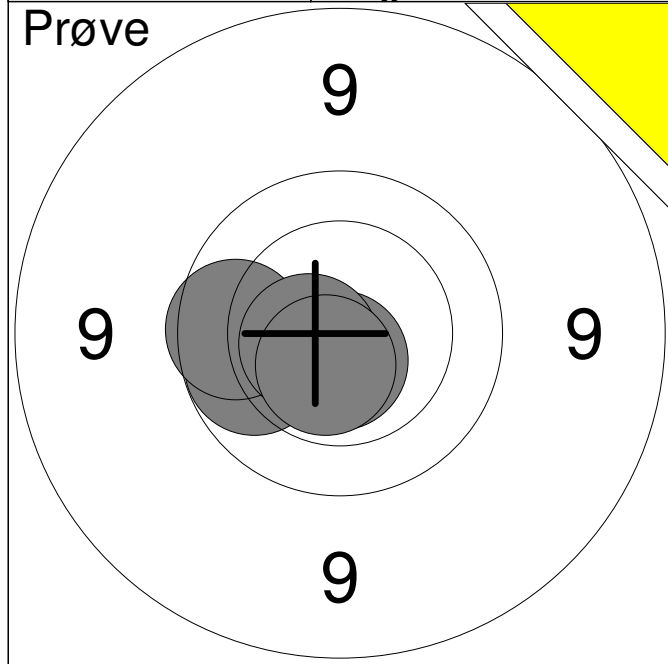
| | | |
|--------------|-------|-------------|
| 1: | 9.8 | ↓ |
| 2: | 9.7 | → |
| 3: | 9.9 | ↓ |
| 4: | 10.5x | ← |
| 5: | 10.3 | ↓ |
| 6: | 10.2 | ← |
| 7: | 10.1 | → |
| 8: | 10.6x | ↓ |
| 9: | 10.6x | → |
| 10: | 10.5 | ↑ |
| Serie | | 97.0 |
| Total | | 0.0 |



| | | |
|--------------|-------|-------------|
| 1: | 10.2 | → |
| 2: | 10.3 | ↓ |
| 3: | 10.7x | ↑ |
| 4: | 10.7x | ← |
| 5: | 10.2 | → |
| 6: | 9.9 | ↗ |
| 7: | 10.1 | → |
| 8: | 10.0 | ↗ |
| 9: | 10.1 | → |
| 10: | 10.7x | ↖ |
| Serie | | 99.0 |
| Total | | 99.0 |

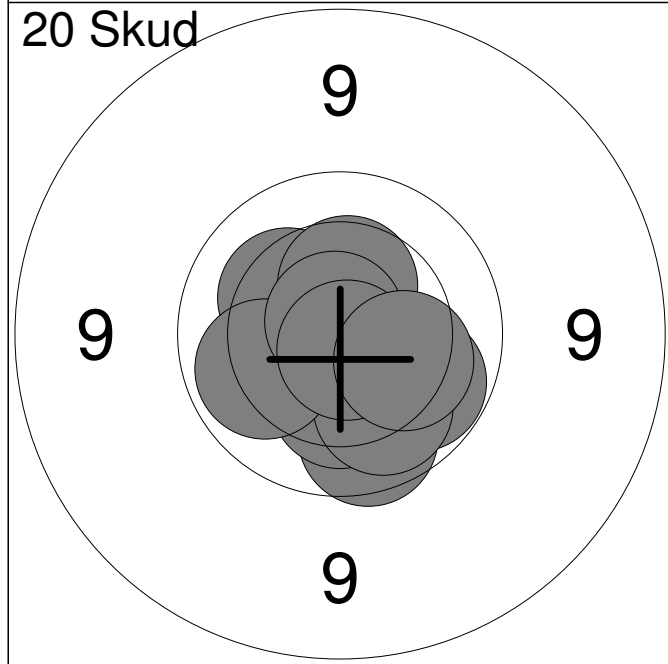


| | | |
|--------------|-------|--------------|
| 11: | 10.3 | ↗ |
| 12: | 10.4 | ↖ |
| 13: | 9.6 | → |
| 14: | 10.4 | ↑ |
| 15: | 10.3 | ↓ |
| 16: | 10.5 | ← |
| 17: | 10.5x | ↑ |
| 18: | 10.5x | → |
| 19: | 10.3 | ↖ |
| 20: | 10.2 | ↑ |
| Serie | | 99.0 |
| Total | | 198.0 |



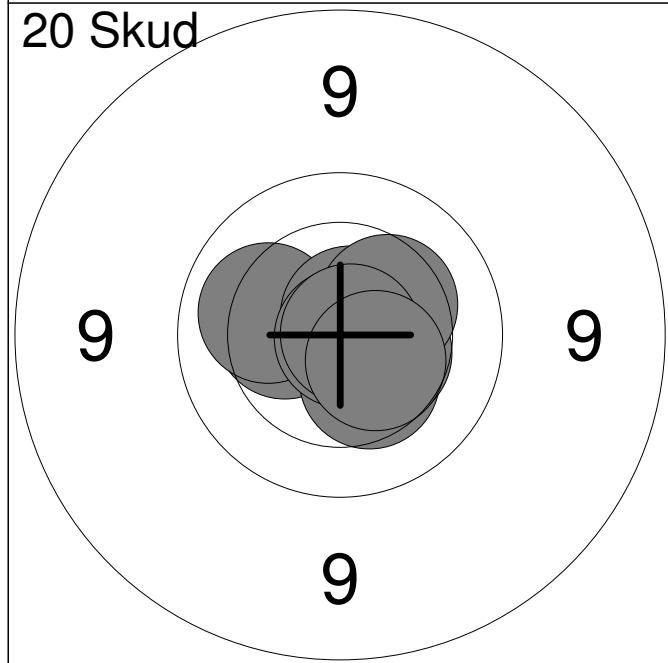
| | | |
|----|-------|---|
| 1: | 10.7x | ↓ |
| 2: | 10.0 | ← |
| 3: | 9.9 | ← |
| 4: | 10.6x | ← |
| 5: | 10.6x | ↓ |

| | |
|-------|------|
| Serie | 49.0 |
| Total | 0.0 |



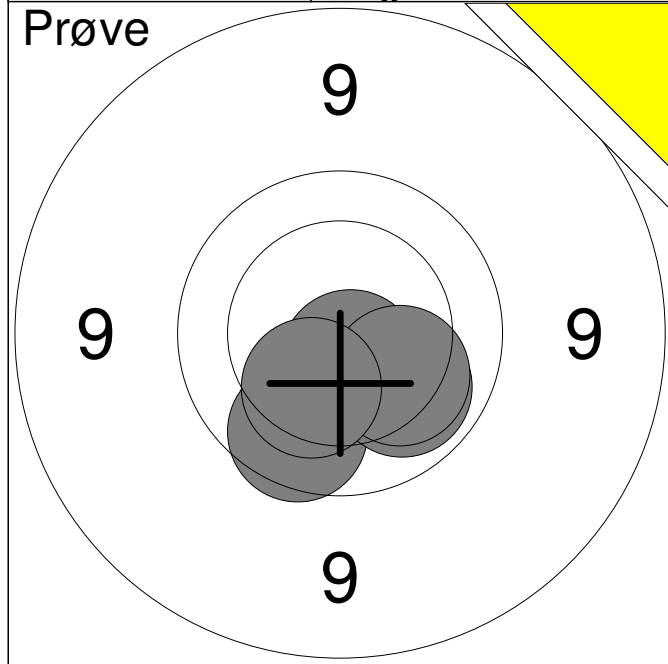
| | | |
|-----|-------|---|
| 1: | 10.0 | ↘ |
| 2: | 9.9 | ↓ |
| 3: | 10.3 | ↓ |
| 4: | 10.0 | ↓ |
| 5: | 10.3 | ↗ |
| 6: | 10.1 | ← |
| 7: | 10.4 | ↑ |
| 8: | 10.8x | ↗ |
| 9: | 10.8x | ↓ |
| 10: | 10.2 | ↘ |

| | |
|-------|------|
| Serie | 99.0 |
| Total | 99.0 |

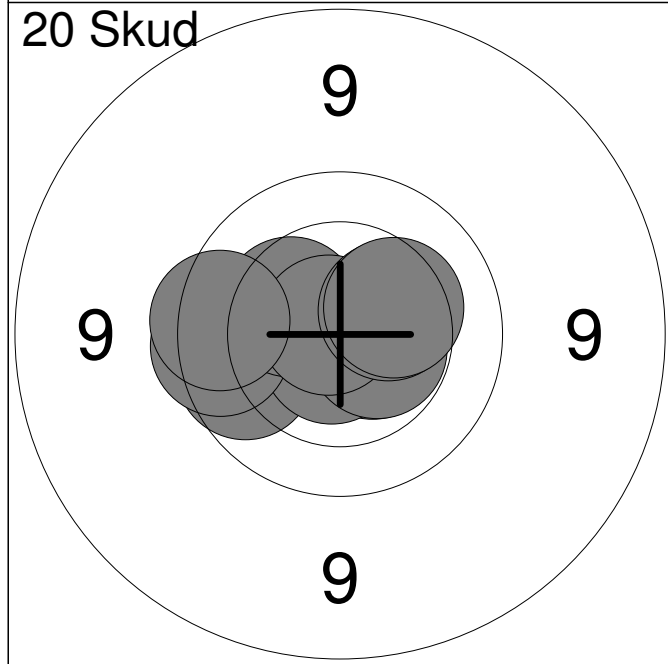


| | | |
|-----|-------|---|
| 11: | 10.3 | ← |
| 12: | 10.5x | ↓ |
| 13: | 10.4 | ↓ |
| 14: | 10.5 | ↓ |
| 15: | 10.1 | ← |
| 16: | 10.7x | ↗ |
| 17: | 10.3 | ↗ |
| 18: | 10.9x | ↓ |
| 19: | 10.8x | → |
| 20: | 10.5 | ↓ |

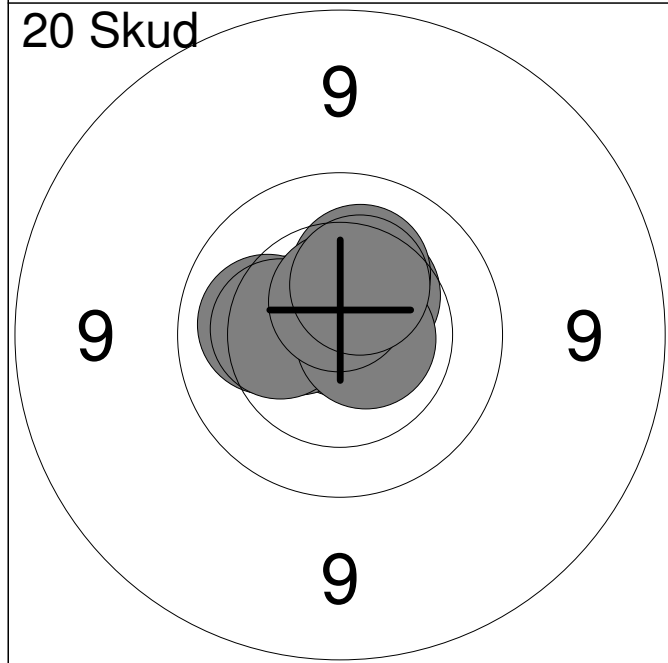
| | |
|-------|-------|
| Serie | 100.0 |
| Total | 199.0 |



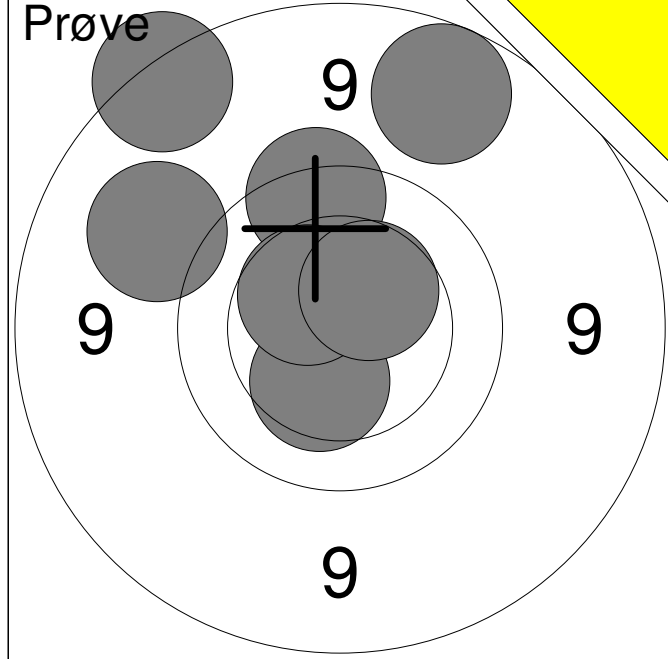
| | | |
|--------------|-------|-------------|
| 1: | 10.6x | ↘ |
| 2: | 9.9 | ↘ |
| 3: | 10.1 | ↘ |
| 4: | 10.2 | ↘ |
| 5: | 10.3 | ↘ |
| Serie | | 49.0 |
| Total | | 0.0 |



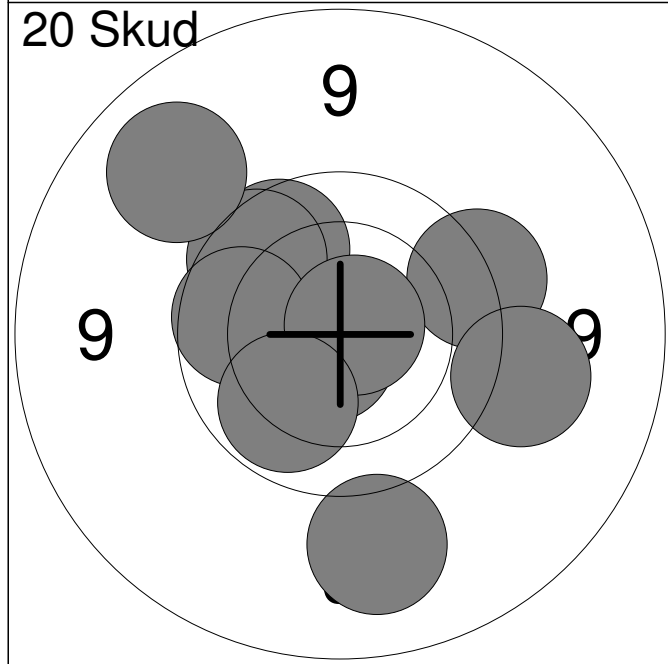
| | | |
|--------------|-------|-------------|
| 1: | 9.9 | ← |
| 2: | 10.6x | → |
| 3: | 10.7x | ↘ |
| 4: | 9.8 | ← |
| 5: | 10.5x | → |
| 6: | 10.3 | ↗ |
| 7: | 10.8x | ↗ |
| 8: | 10.4 | → |
| 9: | 10.3 | → |
| 10: | 9.8 | ← |
| Serie | | 97.0 |
| Total | | 97.0 |



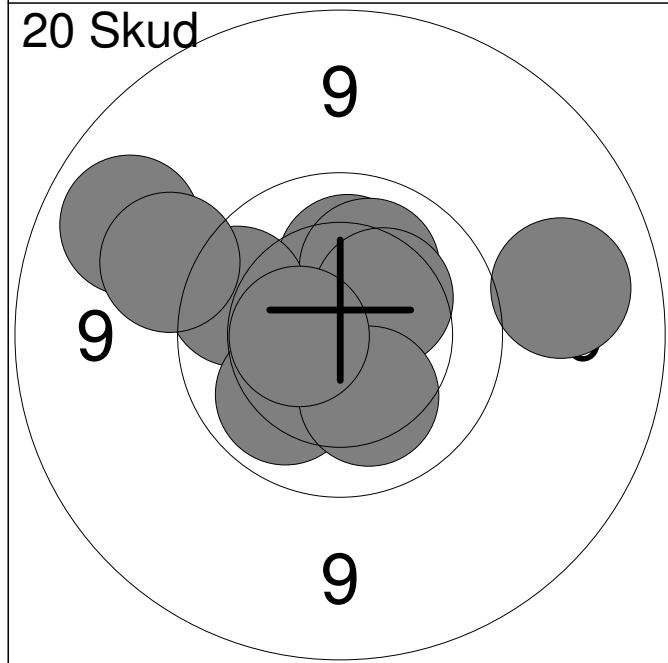
| | | |
|--------------|-------|--------------|
| 11: | 10.9x | ↗ |
| 12: | 10.4 | ↗ |
| 13: | 10.5 | ← |
| 14: | 10.2 | ← |
| 15: | 10.3 | ← |
| 16: | 10.4 | ↗ |
| 17: | 10.7x | → |
| 18: | 10.3 | ↗ |
| 19: | 10.6x | ↗ |
| 20: | 10.4 | ↗ |
| Serie | | 100.0 |
| Total | | 197.0 |



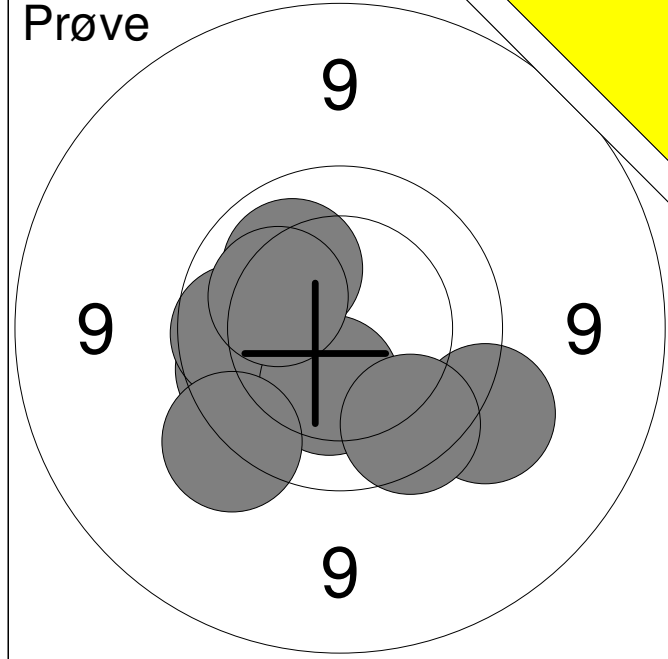
| | | |
|--------------|------|-------------|
| 1: | 8.8 | ↗ |
| 2: | 10.3 | ↘ |
| 3: | 9.2 | ↗ |
| 4: | 8.9 | ↗ |
| 5: | 9.7 | ↗ |
| 6: | 10.4 | ↗ |
| 7: | 10.4 | ↗ |
| Serie | | 64.0 |
| Total | | 0.0 |



| | | |
|--------------|-------|-------------|
| 1: | 9.6 | → |
| 2: | 9.9 | ↗ |
| 3: | 9.2 | ↘ |
| 4: | 9.8 | ↗ |
| 5: | 9.1 | ↗ |
| 6: | 10.7x | ↘ |
| 7: | 9.9 | ← |
| 8: | 10.8x | ↗ |
| 9: | 9.4 | → |
| 10: | 10.0 | ↘ |
| Serie | | 93.0 |
| Total | | 93.0 |

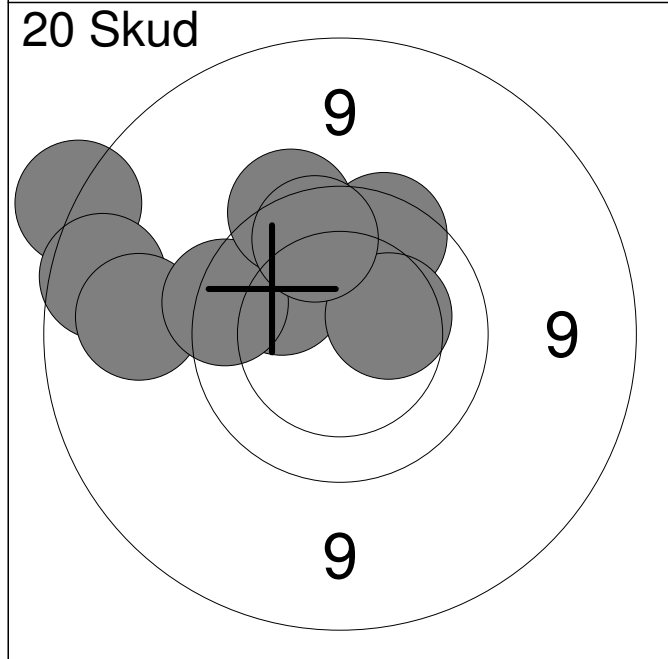


| | | |
|--------------|-------|--------------|
| 11: | 10.2 | ↑ |
| 12: | 10.2 | ↑ |
| 13: | 9.1 | ↖ |
| 14: | 9.8 | ↖ |
| 15: | 9.1 | → |
| 16: | 9.4 | ↖ |
| 17: | 10.1 | ↘ |
| 18: | 10.3 | ↗ |
| 19: | 10.2 | ↘ |
| 20: | 10.5x | ← |
| Serie | | 96.0 |
| Total | | 189.0 |



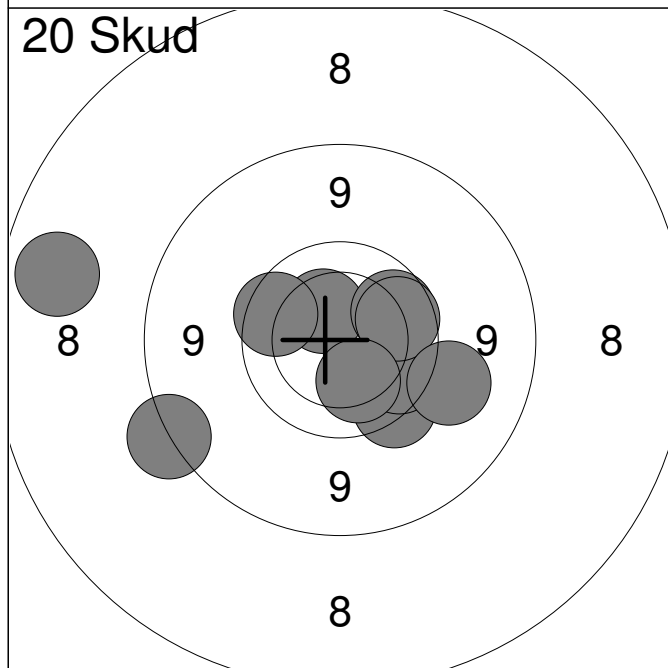
| | | |
|----|------|---|
| 1: | 9.9 | ← |
| 2: | 9.9 | ← |
| 3: | 9.5 | ↘ |
| 4: | 10.1 | ↗ |
| 5: | 10.3 | ↓ |
| 6: | 10.2 | ↗ |
| 7: | 9.6 | ↘ |
| 8: | 9.8 | ↘ |

| | |
|-------|------|
| Serie | 75.0 |
| Total | 0.0 |



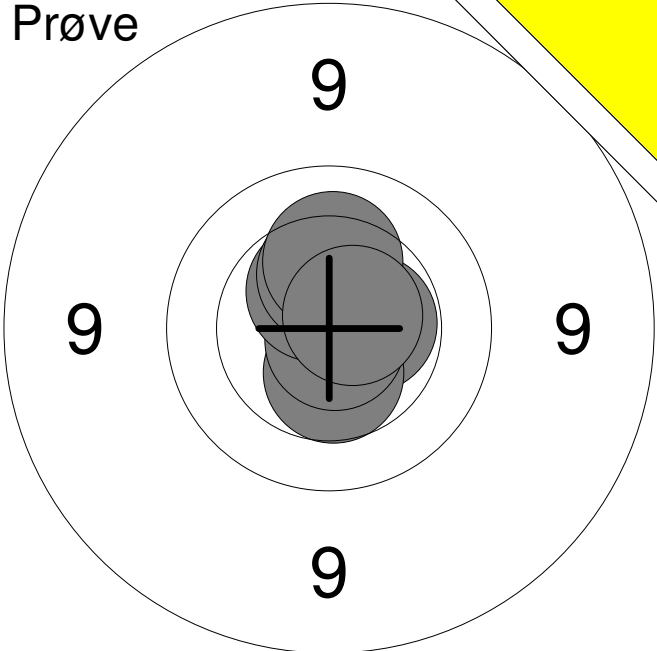
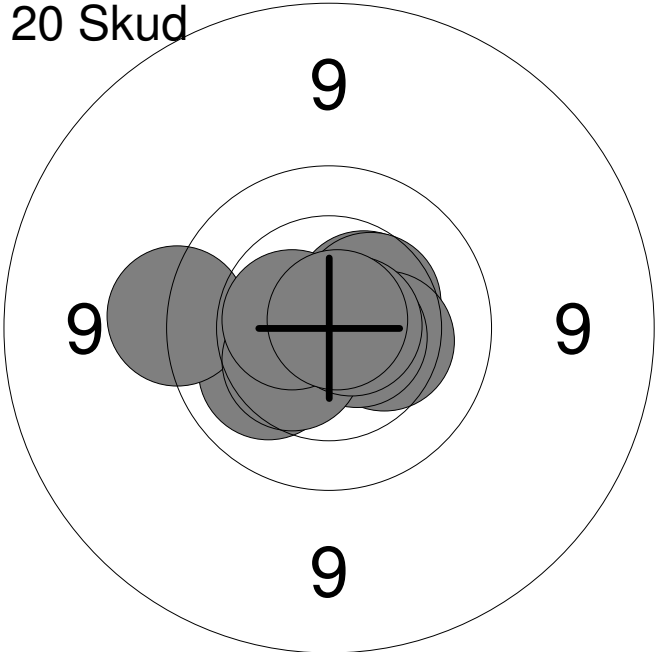
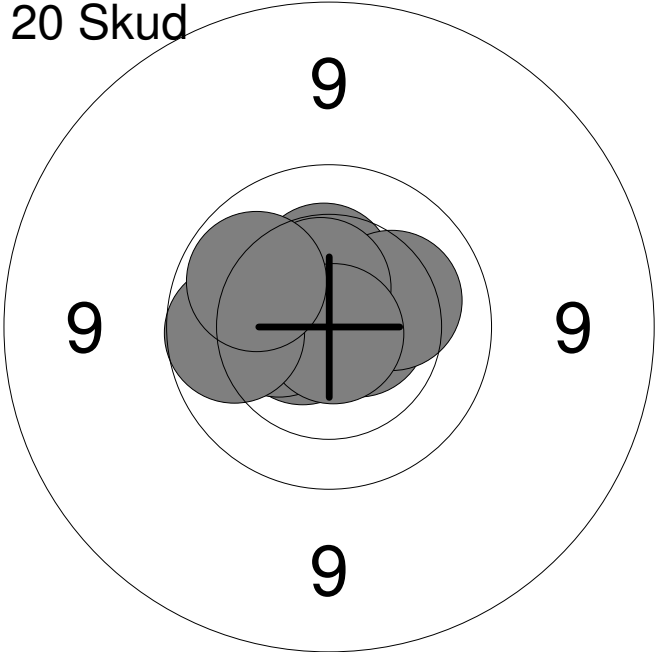
| | | |
|-----|------|---|
| 1: | 10.1 | ↗ |
| 2: | 8.7 | ↗ |
| 3: | 10.1 | ↗ |
| 4: | 8.9 | ← |
| 5: | 9.2 | ← |
| 6: | 9.8 | ↗ |
| 7: | 9.7 | ← |
| 8: | 9.6 | ↗ |
| 9: | 10.3 | → |
| 10: | 9.9 | ↗ |

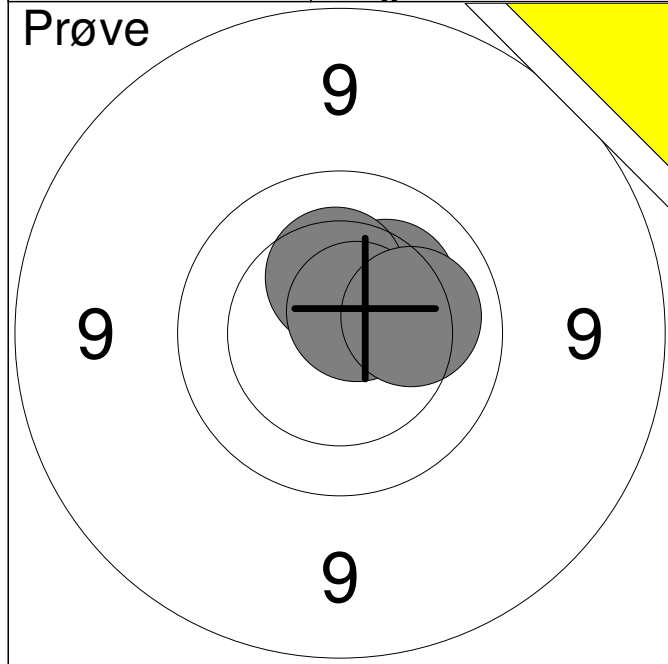
| | |
|-------|------|
| Serie | 91.0 |
| Total | 91.0 |



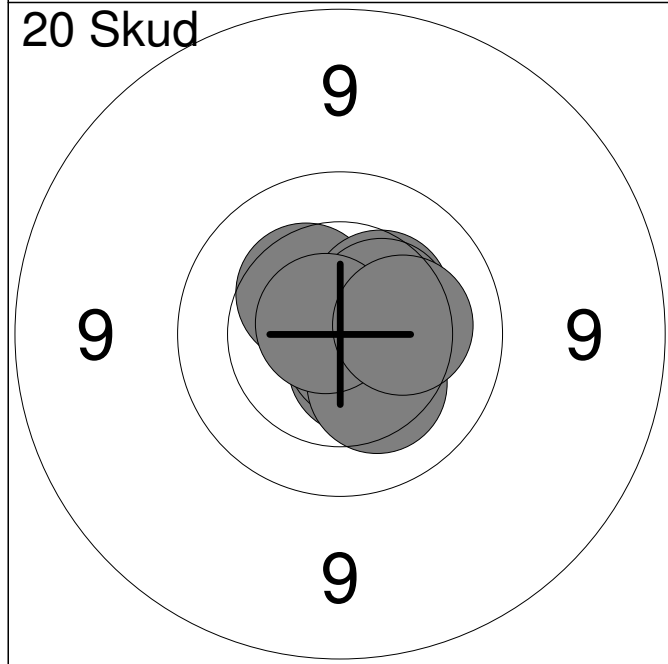
| | | |
|-----|------|---|
| 11: | 9.6 | ↘ |
| 12: | 8.7 | ← |
| 13: | 10.4 | ↗ |
| 14: | 9.9 | → |
| 15: | 9.8 | ↘ |
| 16: | 8.0 | ← |
| 17: | 9.9 | → |
| 18: | 10.1 | ↘ |
| 19: | 9.3 | ↘ |
| 20: | 9.8 | ↗ |

| | |
|-------|-------|
| Serie | 90.0 |
| Total | 181.0 |

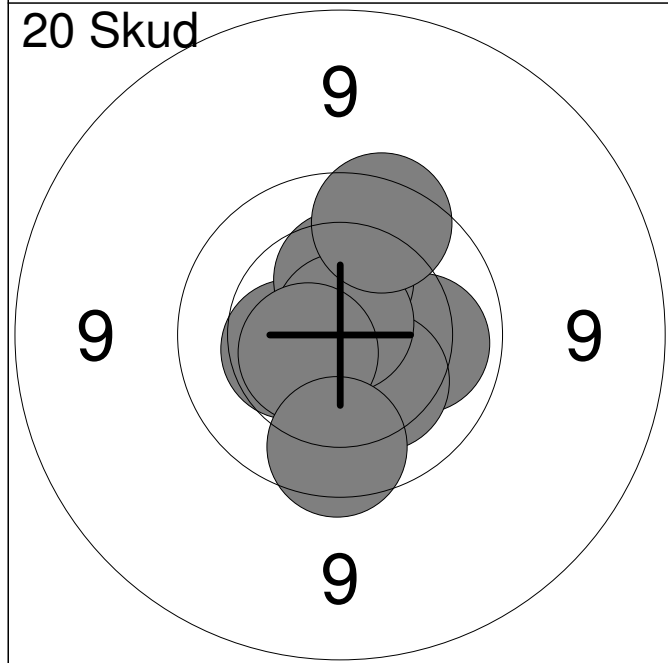
| Hold | Skive | Bodil Abildgaard | |
|---------|--|-----------------------------|---------------------|
| 20 | 1 | Hobro Egnens Skytteforening | MÅ1 |
| 15m | | Nordjysk Mesterskab 2015 | Aalborg Skyttekreds |
| Prøve |  | 1: 10.5x → | |
| | | 2: 10.7x ↑ | |
| | | 3: 10.5 ↓ | |
| | | 4: 10.8x ↓ | |
| | | 5: 10.5x ↑ | |
| | | 6: 10.4 ↑ | |
| | | 7: 10.2 ↑ | |
| | | 8: 10.7x ↗ | |
| | | Serie | 80.0 |
| | | Total | 0.0 |
| 20 Skud |  | 1: 10.2 ↙ | |
| | | 2: 9.6 ← | |
| | | 3: 10.5 ↗ | |
| | | 4: 10.4 ↗ | |
| | | 5: 10.3 → | |
| | | 6: 10.6x → | |
| | | 7: 10.4 ↙ | |
| | | 8: 10.5x ← | |
| | | 9: 10.7x → | |
| | | 10: 10.8x ↗ | |
| | | Serie | 99.0 |
| | | Total | 99.0 |
| 20 Skud |  | 11: 10.7x ← | |
| | | 12: 10.7x ← | |
| | | 13: 10.6x → | |
| | | 14: 10.4 ↑ | |
| | | 15: 10.4 ← | |
| | | 16: 10.2 ↗ | |
| | | 17: 10.5x ↑ | |
| | | 18: 10.9x ↓ | |
| | | 19: 9.9 ← | |
| | | 20: 10.0 ↖ | |
| | | Serie | 99.0 |
| | | Total | 198.0 |



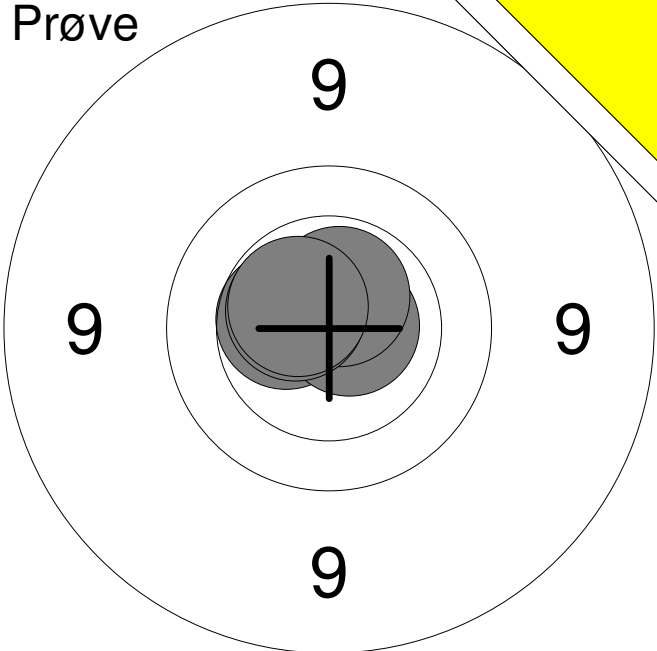
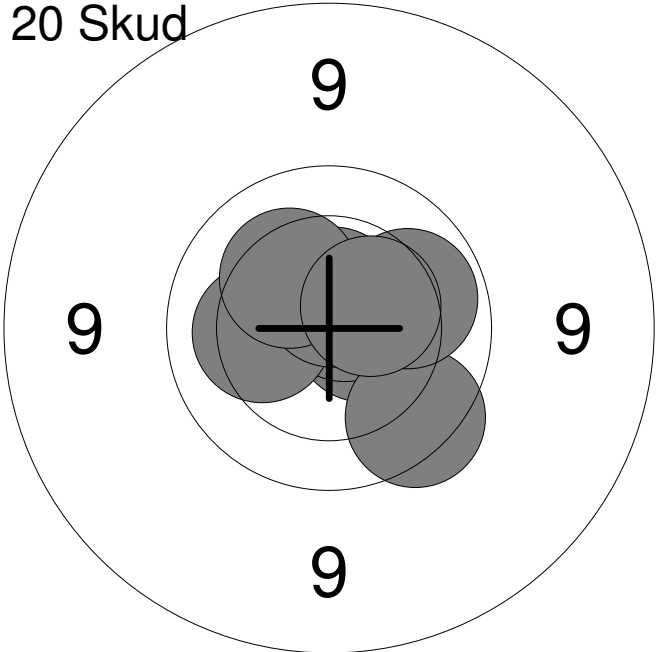
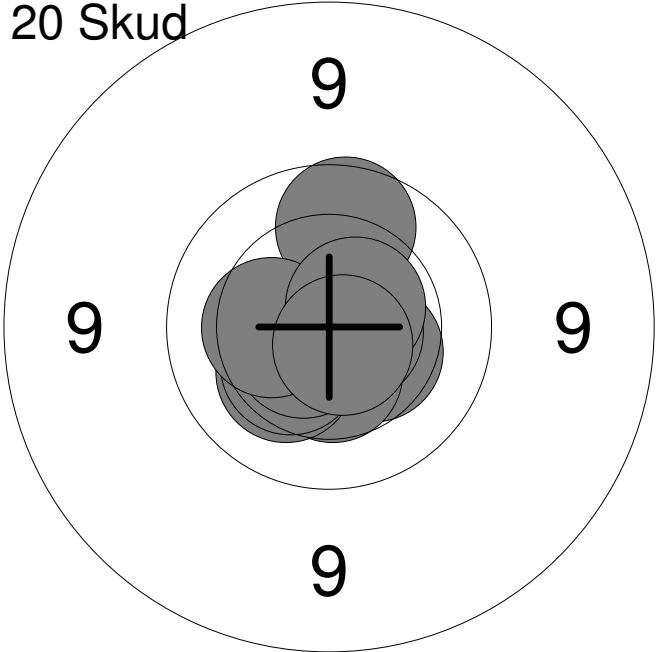
| | | |
|--------------|-------------|---|
| 1: | 10.3 | ↗ |
| 2: | 10.3 | ↑ |
| 3: | 10.7x | ↗ |
| 4: | 10.2 | → |
| Serie | 40.0 | |
| Total | 0.0 | |

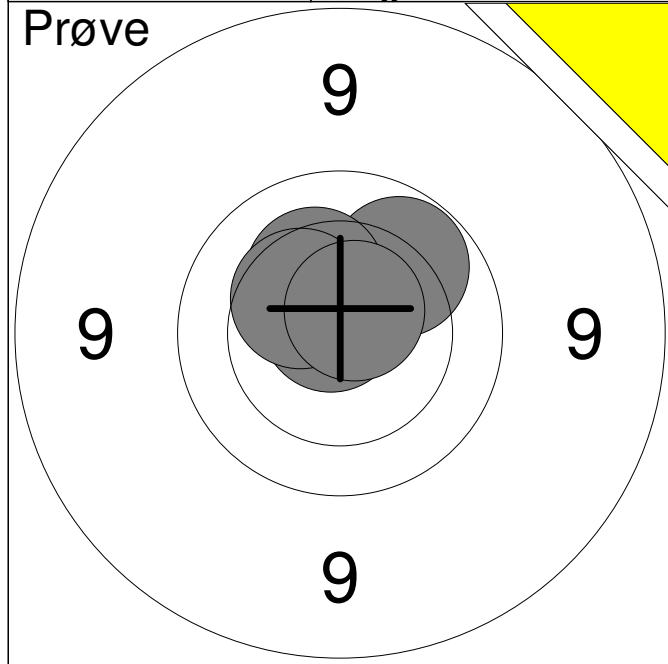


| | | |
|--------------|--------------|---|
| 1: | 10.6x | ↘ |
| 2: | 10.8x | ↗ |
| 3: | 10.7x | ↘ |
| 4: | 10.8x | ↑ |
| 5: | 10.3 | ↘ |
| 6: | 10.4 | ↗ |
| 7: | 10.4 | ↗ |
| 8: | 10.4 | ↗ |
| 9: | 10.8x | ↗ |
| 10: | 10.3 | → |
| Serie | 100.0 | |
| Total | 100.0 | |

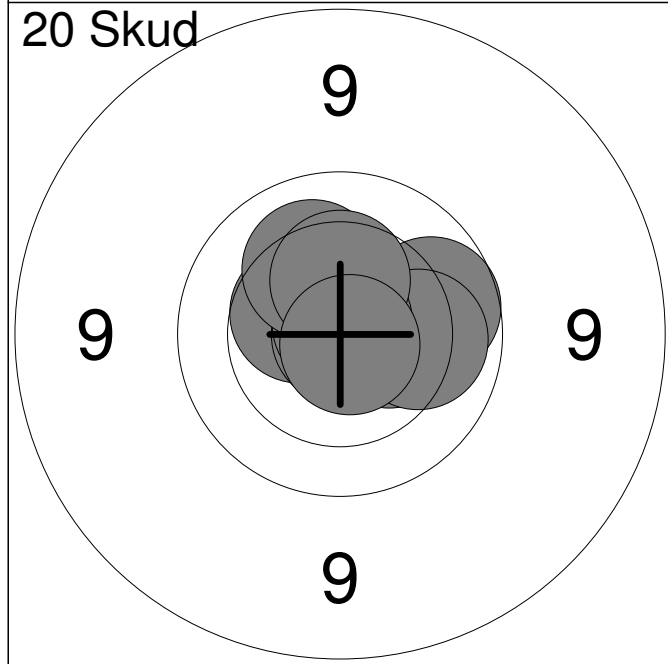


| | | |
|--------------|--------------|---|
| 11: | 10.1 | → |
| 12: | 10.4 | ← |
| 13: | 10.8x | ↘ |
| 14: | 10.9x | ← |
| 15: | 10.4 | ↑ |
| 16: | 10.3 | ↘ |
| 17: | 10.8x | ↗ |
| 18: | 10.6x | ← |
| 19: | 9.8 | ↘ |
| 20: | 9.8 | ↑ |
| Serie | 98.0 | |
| Total | 198.0 | |

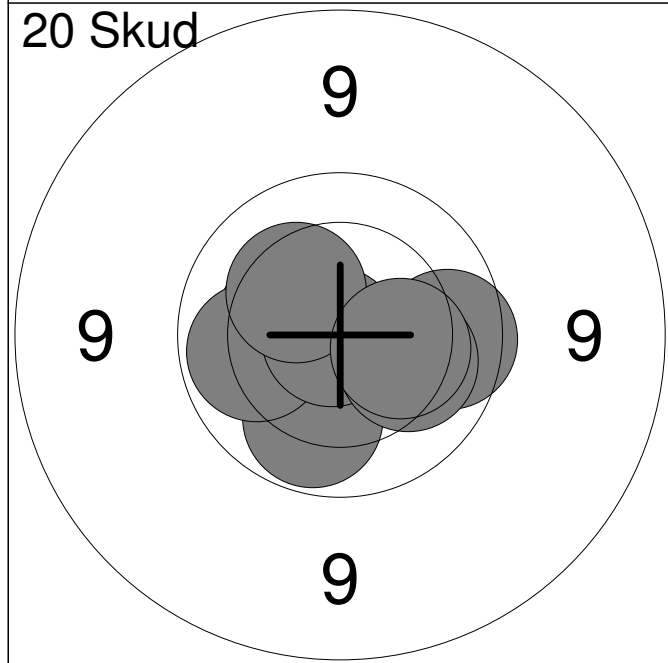
| Hold | Skive | Jørgen Thomsen | |
|---------|--|-----------------------------|---------------------|
| 20 | 6 | Hobro Egnens Skytteforening | MÅ1 |
| 15m | | Nordjysk Mesterskab 2015 | Aalborg Skyttekreds |
| Prøve |  | 1: 10.5 | ← |
| | | 2: 10.7x | → |
| | | 3: 10.6x | ↑ |
| | | 4: 10.5x | ↖ |
| | | 5: 10.5x | ↗ |
| | | Serie | 50.0 |
| | | Total | 0.0 |
| 20 Skud |  | 1: 10.6x | ↗ |
| | | 2: 10.6x | → |
| | | 3: 10.3 | → |
| | | 4: 10.7x | ↗ |
| | | 5: 10.2 | ← |
| | | 6: 10.6x | ↑ |
| | | 7: 9.8 | ↘ |
| | | 8: 10.3 | ↗ |
| | | 9: 10.0 | → |
| | | 10: 10.4 | ↗ |
| | | Serie | 99.0 |
| | | Total | 99.0 |
| 20 Skud |  | 11: 10.4 | ↘ |
| | | 12: 10.7x | → |
| | | 13: 10.5 | ↓ |
| | | 14: 9.9 | ↑ |
| | | 15: 10.3 | ↙ |
| | | 16: 10.4 | ↙ |
| | | 17: 10.6x | ↙ |
| | | 18: 10.3 | ← |
| | | 19: 10.6x | ↗ |
| | | 20: 10.7x | ↘ |
| | | Serie | 99.0 |
| | | Total | 198.0 |



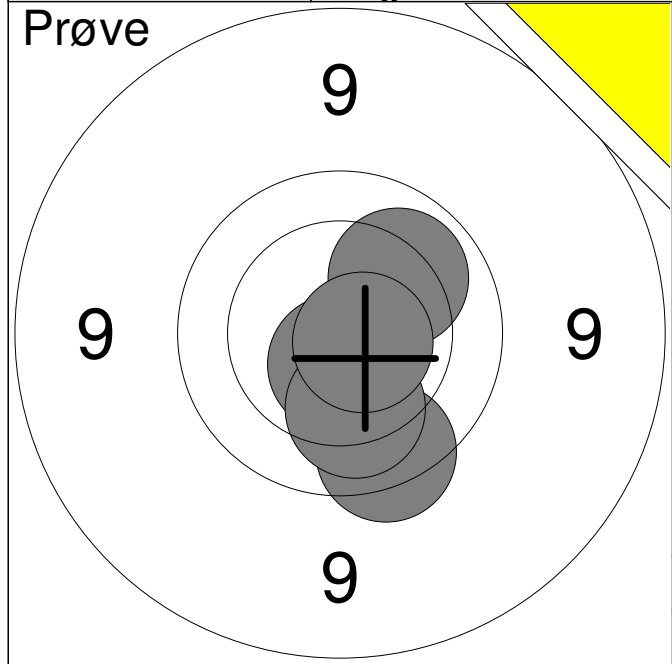
| | | |
|--------------|-------|-------------|
| 1: | 10.0 | ↗ |
| 2: | 10.3 | ↗ |
| 3: | 10.8x | ↗ |
| 4: | 10.4 | ↗ |
| 5: | 10.7x | ↗ |
| Serie | | 50.0 |
| Total | | 0.0 |



| | | |
|--------------|-------|-------------|
| 1: | 9.9 | → |
| 2: | 10.4 | → |
| 3: | 10.7x | ↗ |
| 4: | 10.5 | ↗ |
| 5: | 10.1 | → |
| 6: | 10.9x | ↘ |
| 7: | 10.8x | ↗ |
| 8: | 10.2 | ↗ |
| 9: | 10.4 | ↗ |
| 10: | 10.8x | ↘ |
| Serie | | 99.0 |
| Total | | 99.0 |

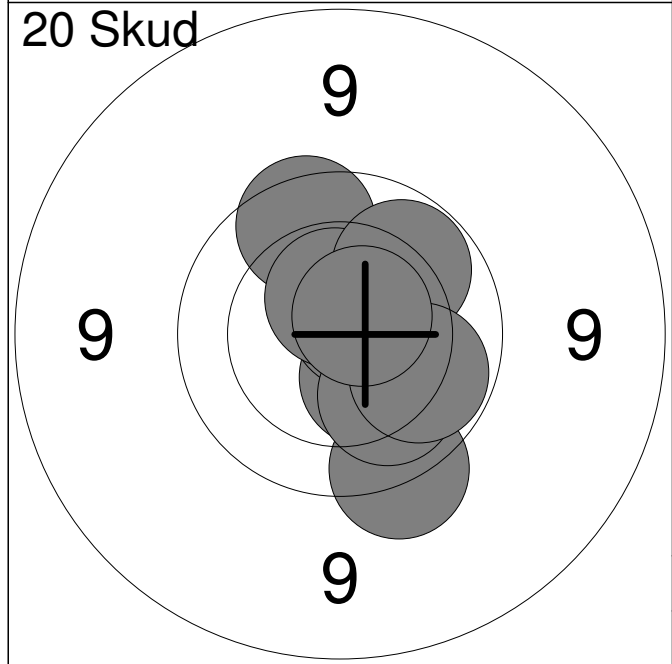


| | | |
|--------------|-------|--------------|
| 11: | 9.9 | → |
| 12: | 10.3 | → |
| 13: | 10.0 | ↘ |
| 14: | 10.6x | ↗ |
| 15: | 10.4 | ↗ |
| 16: | 10.0 | ← |
| 17: | 10.9x | ← |
| 18: | 10.2 | ↘ |
| 19: | 10.3 | ↗ |
| 20: | 10.3 | → |
| Serie | | 99.0 |
| Total | | 198.0 |



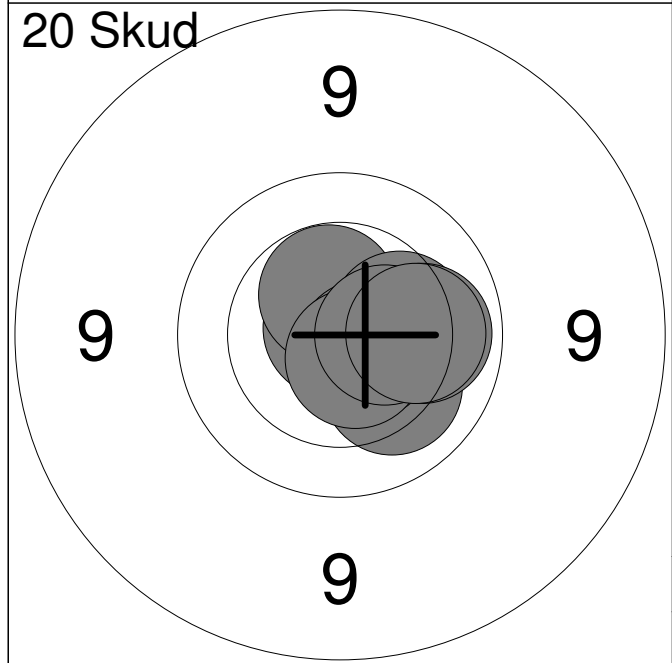
| | | |
|----|-------|---|
| 1: | 10.1 | ↗ |
| 2: | 9.7 | ↘ |
| 3: | 10.6x | ↘ |
| 4: | 10.1 | ↘ |
| 5: | 10.7x | ↘ |

| | |
|-------|------|
| Serie | 49.0 |
| Total | 0.0 |



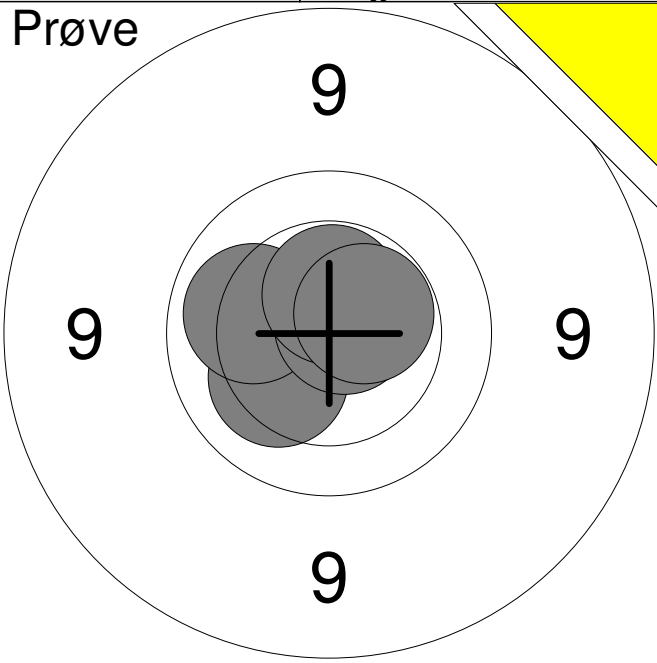
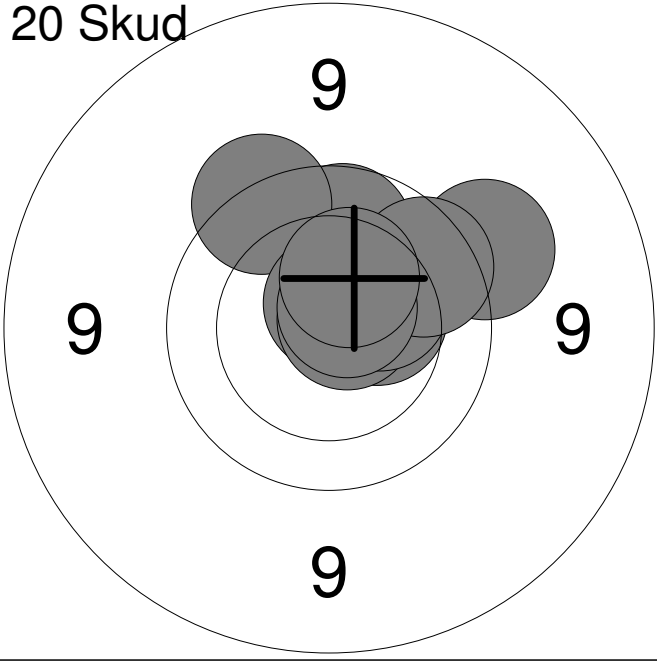
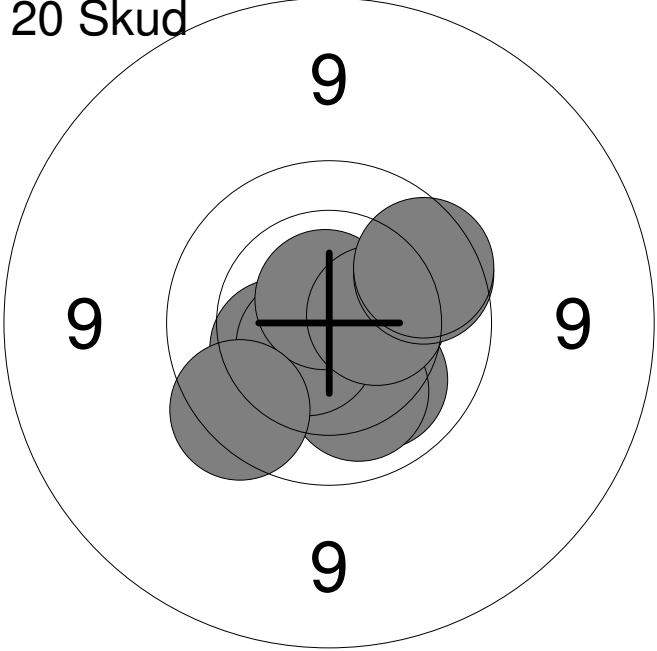
| | | |
|-----|-------|---|
| 1: | 10.4 | ↘ |
| 2: | 9.6 | ↘ |
| 3: | 10.7x | ↗ |
| 4: | 10.5 | ↗ |
| 5: | 9.8 | ↗ |
| 6: | 10.1 | ↘ |
| 7: | 10.6x | ↗ |
| 8: | 10.0 | ↗ |
| 9: | 10.0 | ↘ |
| 10: | 10.6x | ↗ |

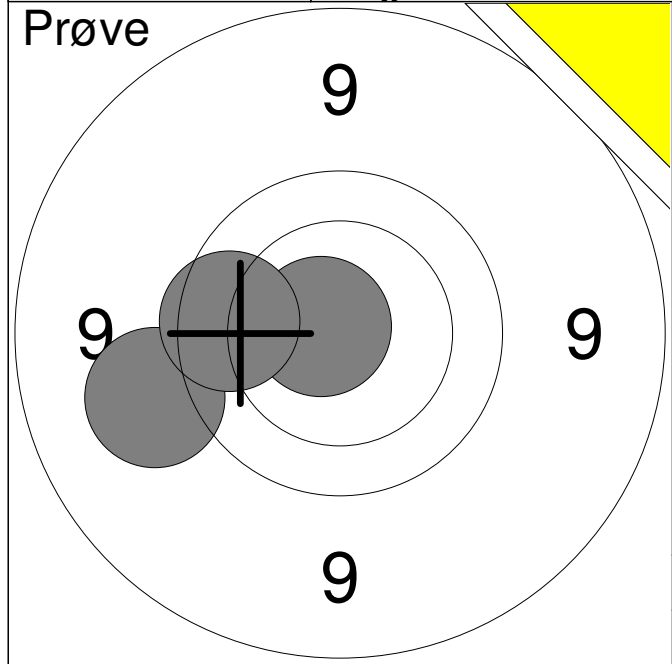
| | |
|-------|------|
| Serie | 98.0 |
| Total | 98.0 |



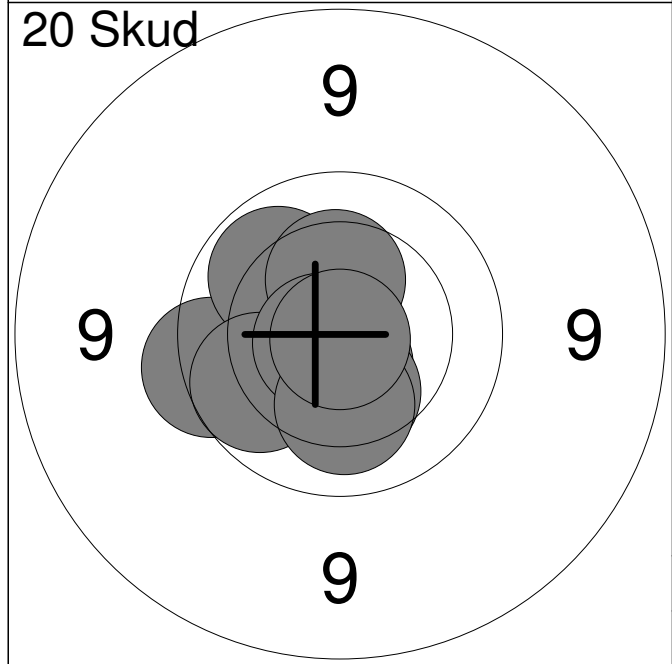
| | | |
|-----|-------|---|
| 11: | 10.7x | → |
| 12: | 10.8x | ↗ |
| 13: | 10.5x | ↗ |
| 14: | 10.2 | ↘ |
| 15: | 10.6x | ↘ |
| 16: | 10.3 | → |
| 17: | 10.7x | ↘ |
| 18: | 10.1 | → |
| 19: | 10.5 | → |
| 20: | 10.1 | → |

| | |
|-------|-------|
| Serie | 100.0 |
| Total | 198.0 |

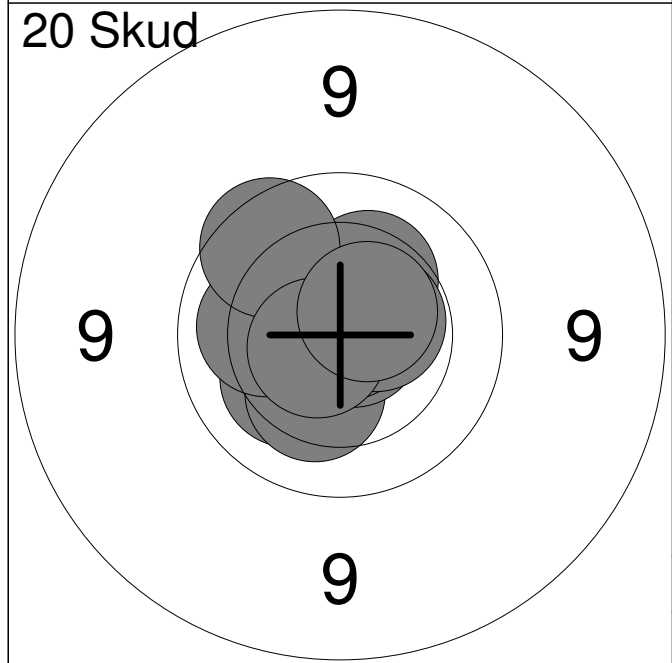
| Hold | Skive | Lotte B. Larsen | |
|---------|--|---------------------|--------------|
| 21 | 2 | | |
| 15m | Frederikshavn Skyttekreds | ÅK2 | |
| | Nordjysk Mesterskab 2015 | Aalborg Skyttekreds | |
| Prøve |  | 1: 10.2 ↙ | |
| | | 2: 10.1 ↖ | |
| | | 3: 10.8x → | |
| | | 4: 10.5x ↑ | |
| | | 5: 10.5x → | |
| | | Serie | 50.0 |
| | | Total | 0.0 |
| 20 Skud |  | 1: 10.4 → | |
| | | 2: 9.9 ↑ | |
| | | 3: 9.4 → | |
| | | 4: 9.7 ↖ | |
| | | 5: 10.7x ↑ | |
| | | 6: 10.7x → | |
| | | 7: 10.3 → | |
| | | 8: 9.8 → | |
| | | 9: 10.7x ↗ | |
| | | 10: 10.4 ↑ | |
| | | Serie | 96.0 |
| | | Total | 96.0 |
| 20 Skud |  | 11: 10.1 ↘ | |
| | | 12: 10.6x ↙ | |
| | | 13: 10.3 ↖ | |
| | | 14: 10.1 ↘ | |
| | | 15: 10.6x ↙ | |
| | | 16: 10.7x ↑ | |
| | | 17: 9.8 ↙ | |
| | | 18: 10.4 → | |
| | | 19: 9.9 → | |
| | | 20: 9.8 → | |
| | | Serie | 97.0 |
| | | Total | 193.0 |



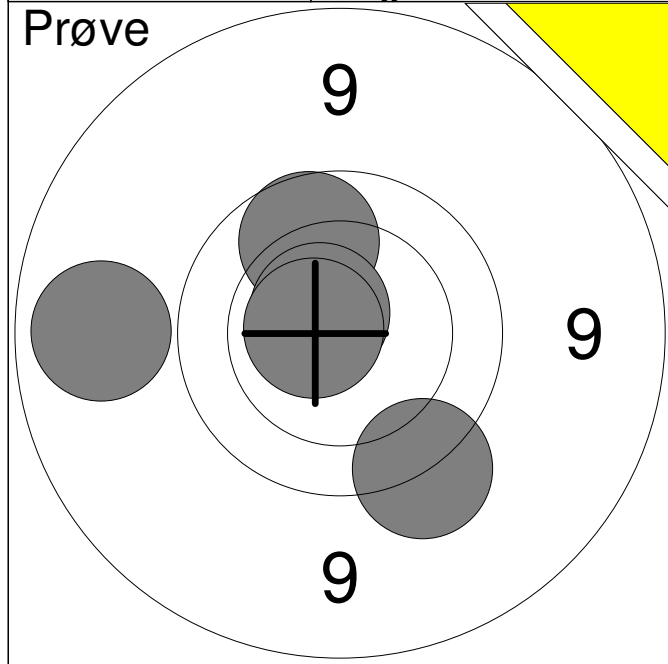
| | | |
|--------------|-------------|---|
| 1: | 9.3 | ← |
| 2: | 10.7x | ← |
| 3: | 9.8 | ← |
| Serie | 28.0 | |
| Total | 0.0 | |



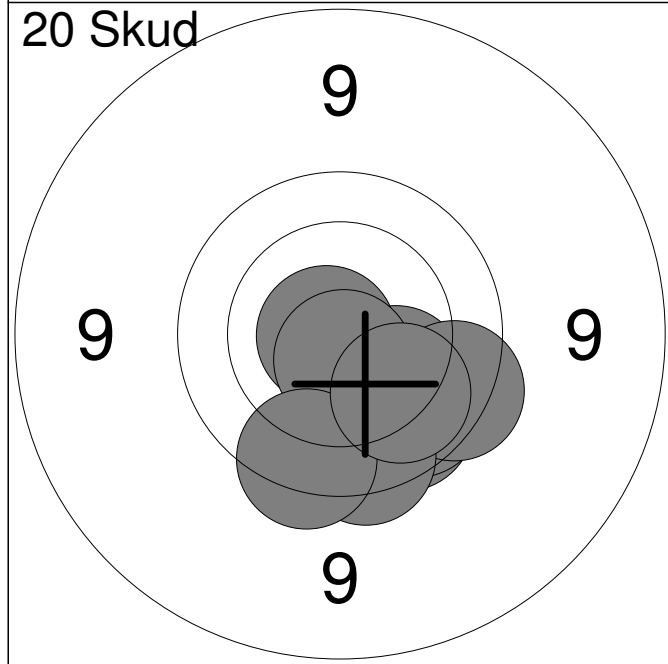
| | | |
|--------------|-------------|---|
| 1: | 10.6x | ↑ |
| 2: | 9.7 | ← |
| 3: | 10.0 | ↗ |
| 4: | 10.6x | ↓ |
| 5: | 10.4 | ↑ |
| 6: | 9.9 | ← |
| 7: | 10.7x | ← |
| 8: | 10.3 | ↓ |
| 9: | 10.2 | ↓ |
| 10: | 10.9x | ↓ |
| Serie | 98.0 | |
| Total | 98.0 | |



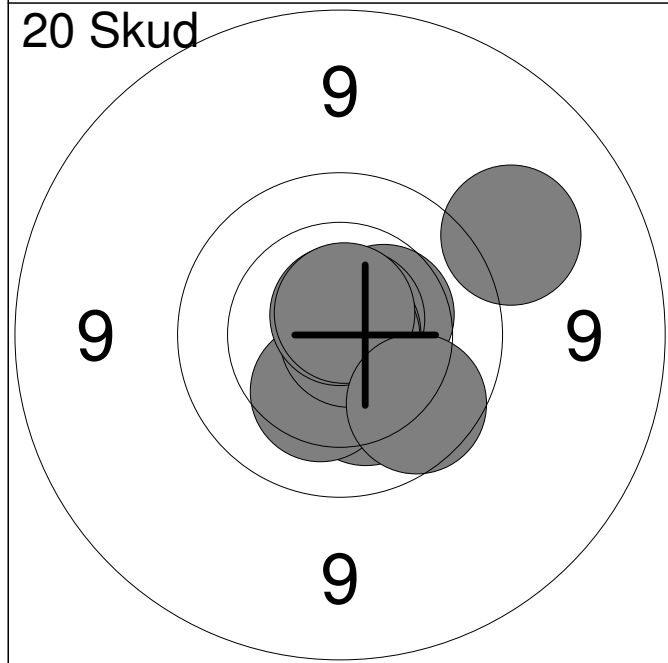
| | | |
|--------------|--------------|---|
| 11: | 10.2 | ← |
| 12: | 10.3 | ↓ |
| 13: | 10.8x | → |
| 14: | 10.3 | ↗ |
| 15: | 10.1 | ← |
| 16: | 10.9x | ↗ |
| 17: | 10.5x | → |
| 18: | 9.8 | ↖ |
| 19: | 10.7x | ← |
| 20: | 10.6x | ↗ |
| Serie | 99.0 | |
| Total | 197.0 | |



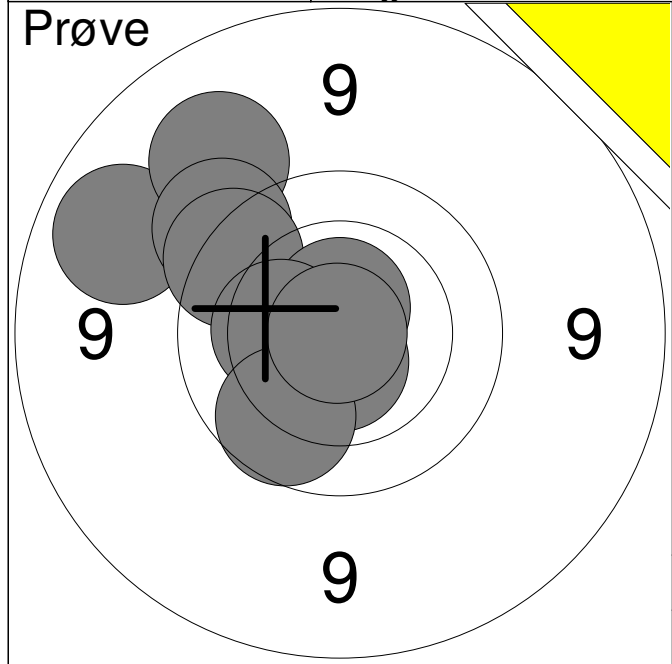
| | | |
|--------------|-------|-------------|
| 1: | 9.0 | ← |
| 2: | 9.9 | ↑ |
| 3: | 10.6x | ↗ |
| 4: | 10.7x | ← |
| 5: | 9.5 | ↘ |
| Serie | | 47.0 |
| Total | | 0.0 |



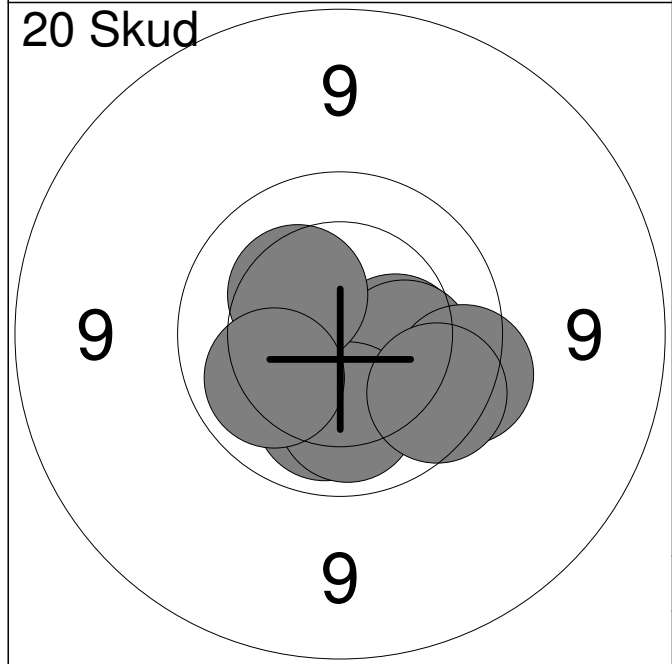
| | | |
|--------------|-------|-------------|
| 1: | 10.2 | ↘ |
| 2: | 10.2 | ↘ |
| 3: | 9.9 | ↘ |
| 4: | 10.8x | ← |
| 5: | 9.9 | ↘ |
| 6: | 10.7x | ↘ |
| 7: | 9.7 | ↘ |
| 8: | 9.8 | ↘ |
| 9: | 9.7 | ↘ |
| 10: | 10.0 | ↘ |
| Serie | | 95.0 |
| Total | | 95.0 |



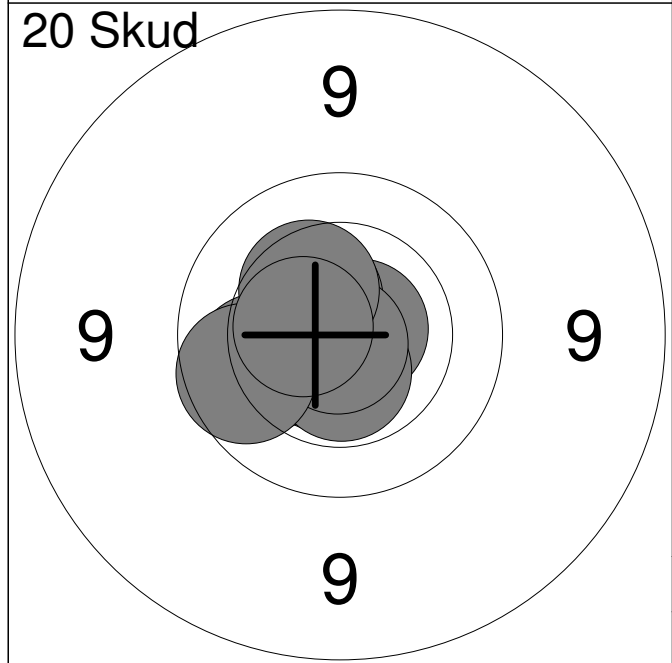
| | | |
|--------------|-------|--------------|
| 11: | 10.4 | ↗ |
| 12: | 10.2 | ↘ |
| 13: | 10.3 | ↘ |
| 14: | 10.7x | ↗ |
| 15: | 10.8x | → |
| 16: | 10.8x | → |
| 17: | 10.7x | ↑ |
| 18: | 10.7x | ↑ |
| 19: | 9.9 | ↘ |
| 20: | 9.3 | ↗ |
| Serie | | 98.0 |
| Total | | 193.0 |



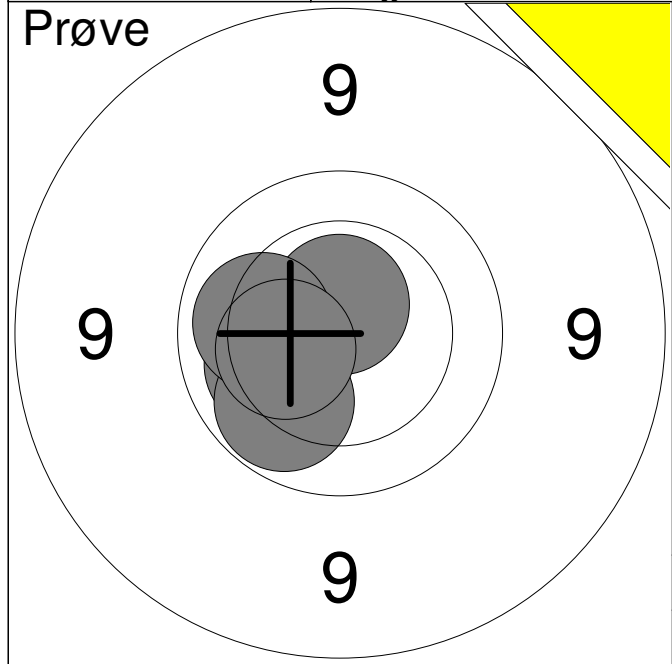
| | | |
|--------------|-------|-------------|
| 1: | 9.1 | ↗ |
| 2: | 9.2 | ↗ |
| 3: | 9.5 | ↗ |
| 4: | 9.7 | ↗ |
| 5: | 10.7x | ↑ |
| 6: | 10.6x | ↓ |
| 7: | 10.3 | ← |
| 8: | 9.9 | ↙ |
| 9: | 10.9x | ← |
| Serie | | 85.0 |
| Total | | 0.0 |



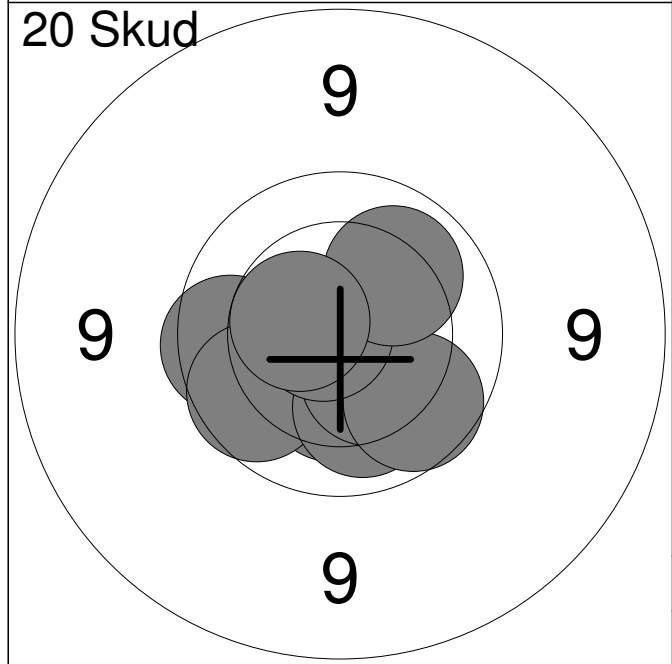
| | | |
|--------------|-------|-------------|
| 1: | 10.1 | ↓ |
| 2: | 10.5x | ↙ |
| 3: | 10.3 | → |
| 4: | 10.5x | ← |
| 5: | 10.2 | → |
| 6: | 10.1 | ↓ |
| 7: | 10.3 | ↗ |
| 8: | 10.1 | ↙ |
| 9: | 9.7 | → |
| 10: | 9.8 | ↘ |
| Serie | | 98.0 |
| Total | | 98.0 |



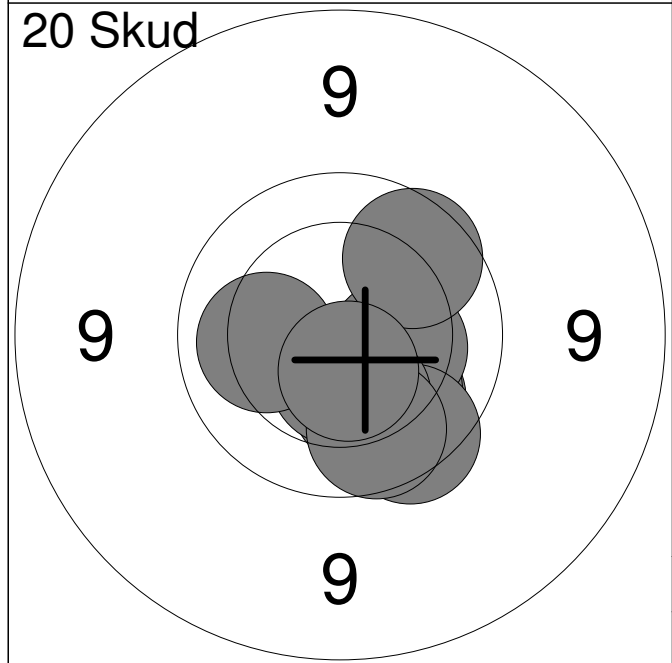
| | | |
|--------------|-------|--------------|
| 11: | 10.6x | ↙ |
| 12: | 10.7x | → |
| 13: | 10.1 | ← |
| 14: | 10.5 | ↗ |
| 15: | 10.6x | ↓ |
| 16: | 10.6x | ← |
| 17: | 10.9x | ↓ |
| 18: | 9.9 | ← |
| 19: | 10.4 | ↗ |
| 20: | 10.5x | ← |
| Serie | | 99.0 |
| Total | | 197.0 |



| | | |
|--------------|-------|-------------|
| 1: | 10.2 | ↙ |
| 2: | 10.0 | ↙ |
| 3: | 10.6x | ↑ |
| 4: | 10.1 | ↙ |
| 5: | 10.3 | ↙ |
| Serie | | 50.0 |
| Total | | 0.0 |



| | | |
|--------------|-------|-------------|
| 1: | 10.7x | ↘ |
| 2: | 10.3 | ↘ |
| 3: | 9.8 | ↙ |
| 4: | 9.9 | ↙ |
| 5: | 10.1 | ↘ |
| 6: | 10.4 | ↘ |
| 7: | 9.9 | ↘ |
| 8: | 10.8x | ↙ |
| 9: | 10.1 | ↗ |
| 10: | 10.5x | ↙ |
| Serie | | 97.0 |
| Total | | 97.0 |

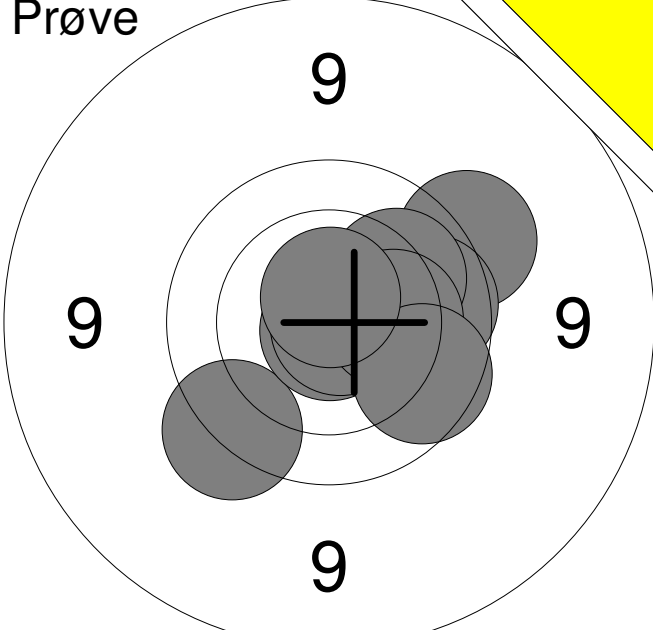


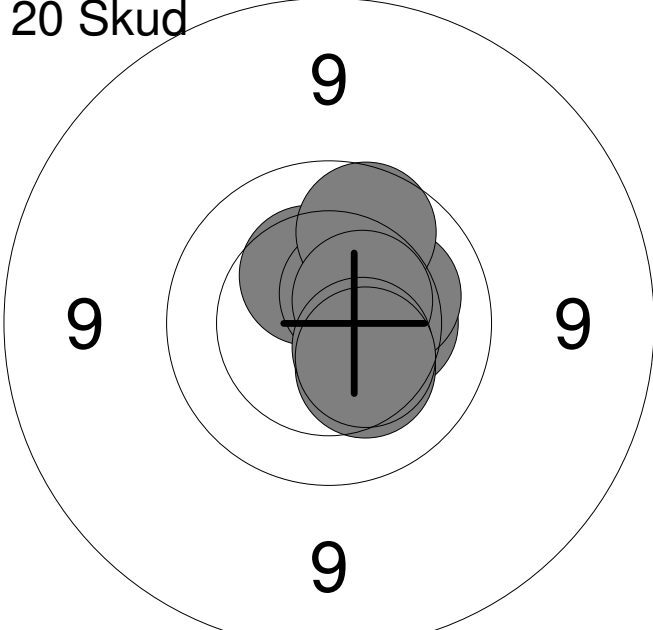
| | | |
|--------------|-------|--------------|
| 11: | 10.0 | ↘ |
| 12: | 10.1 | ↘ |
| 13: | 10.3 | → |
| 14: | 9.8 | ↘ |
| 15: | 9.9 | ↗ |
| 16: | 10.2 | ↘ |
| 17: | 10.5x | ↘ |
| 18: | 9.9 | ↘ |
| 19: | 10.2 | ↙ |
| 20: | 10.6x | ↘ |
| Serie | | 97.0 |
| Total | | 194.0 |

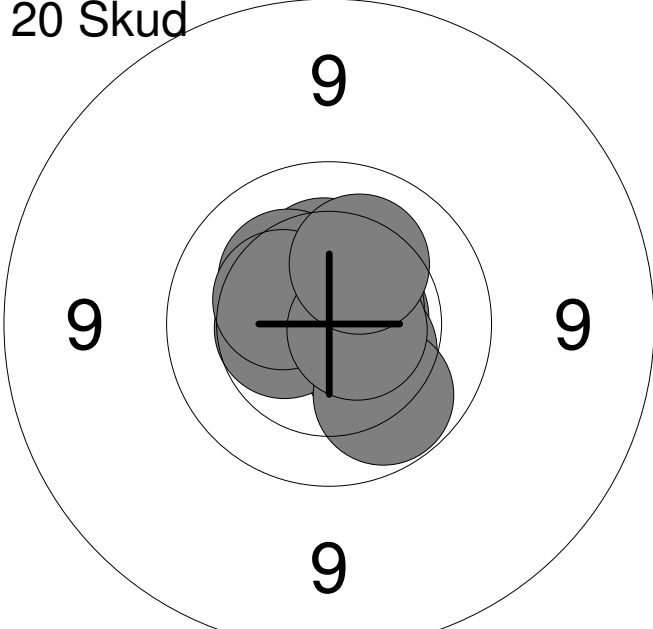
| | | | |
|-------------------|-------------------|--------------------------------|--|
| Hold 21 | Skive 9 | Birgitte Kort Jørgensen | |
|-------------------|-------------------|--------------------------------|--|

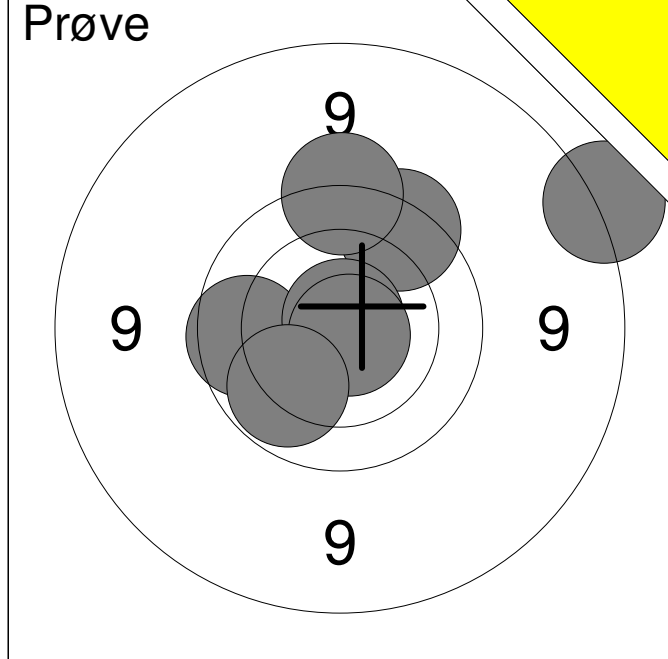
| | | | |
|-----|---------------------|-----|--|
| 15m | Aalborg Skyttekreds | ÅK1 | |
|-----|---------------------|-----|--|

| | | | |
|--|--------------------------|---------------------|--|
| | Nordjysk Mesterskab 2015 | Aalborg Skyttekreds | |
|--|--------------------------|---------------------|--|

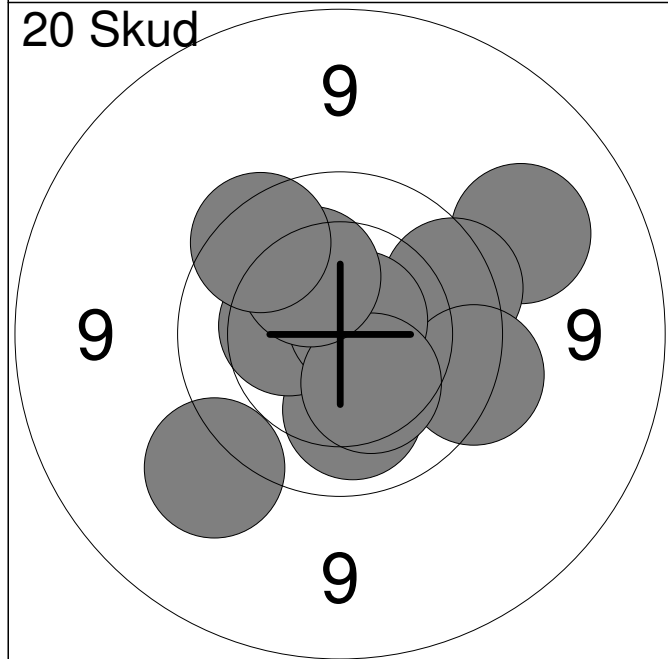
| | | | |
|--|--------------|------------|-------------|
| Prøve  | 1: | 9.6 | ↙ |
| | 2: | 9.5 | ↗ |
| | 3: | 9.9 | → |
| | 4: | 10.9x | ↓ |
| | 5: | 10.8x | ↗ |
| | 6: | 10.1 | ↗ |
| | 7: | 10.3 | → |
| | 8: | 9.9 | ↘ |
| | 9: | 10.7x | ↑ |
| | Serie | | 86.0 |
| Total | | 0.0 | |

| | | | |
|---|-----|-------------|---|
| 20 Skud  | 1: | 10.5x | → |
| | 2: | 10.3 | → |
| | 3: | 10.3 | ↘ |
| | 4: | 10.4 | ↑ |
| | 5: | 10.6x | ↗ |
| | 6: | 10.2 | ↗ |
| | 7: | 9.9 | ↑ |
| | 8: | 10.5x | ↗ |
| | 9: | 10.5x | ↘ |
| | 10: | 10.4 | ↘ |
| Serie | | 99.0 | |
| Total | | 99.0 | |

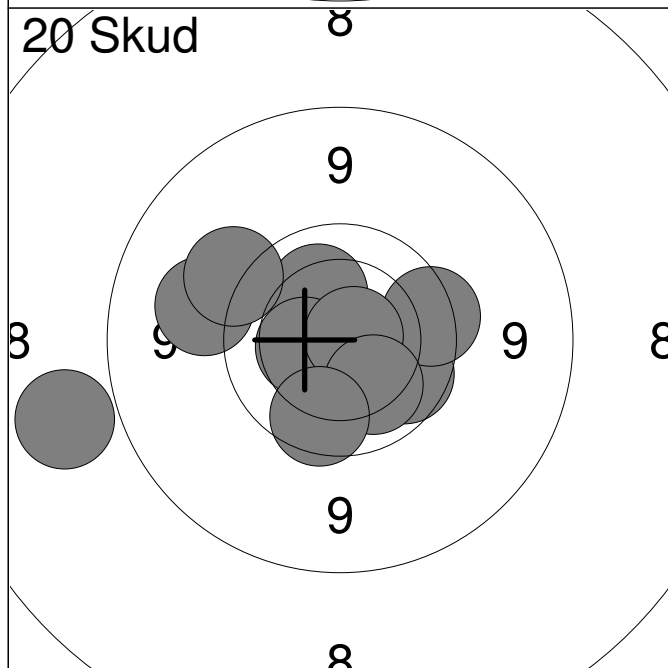
| | | | |
|--|-----|--------------|---|
| 20 Skud  | 11: | 10.6x | → |
| | 12: | 10.3 | ↑ |
| | 13: | 10.4 | ↘ |
| | 14: | 10.6x | ↗ |
| | 15: | 10.5 | ← |
| | 16: | 10.0 | ↘ |
| | 17: | 10.3 | ↗ |
| | 18: | 10.4 | ↗ |
| | 19: | 10.6x | → |
| | 20: | 10.2 | ↑ |
| Serie | | 100.0 | |
| Total | | 199.0 | |



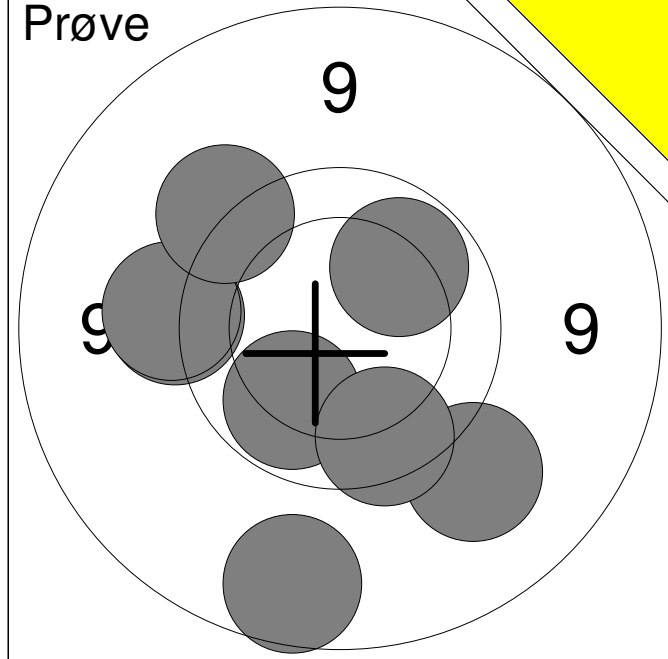
| | | |
|--------------|-------------|---|
| 1: | 9.9 | ← |
| 2: | 9.7 | ↗ |
| 3: | 9.6 | ↑ |
| 4: | 10.8x | ↗ |
| 5: | 8.6 | ↘ |
| 6: | 10.8x | ↘ |
| 7: | 10.0 | ↙ |
| Serie | 65.0 | |
| Total | 0.0 | |



| | | |
|--------------|-------------|---|
| 1: | 9.2 | ↘ |
| 2: | 9.8 | ↘ |
| 3: | 9.7 | ↘ |
| 4: | 10.1 | ↓ |
| 5: | 10.4 | ← |
| 6: | 9.4 | ↙ |
| 7: | 10.7x | ↗ |
| 8: | 10.3 | ↓ |
| 9: | 10.2 | ↗ |
| 10: | 9.8 | ↗ |
| Serie | 95.0 | |
| Total | 95.0 | |

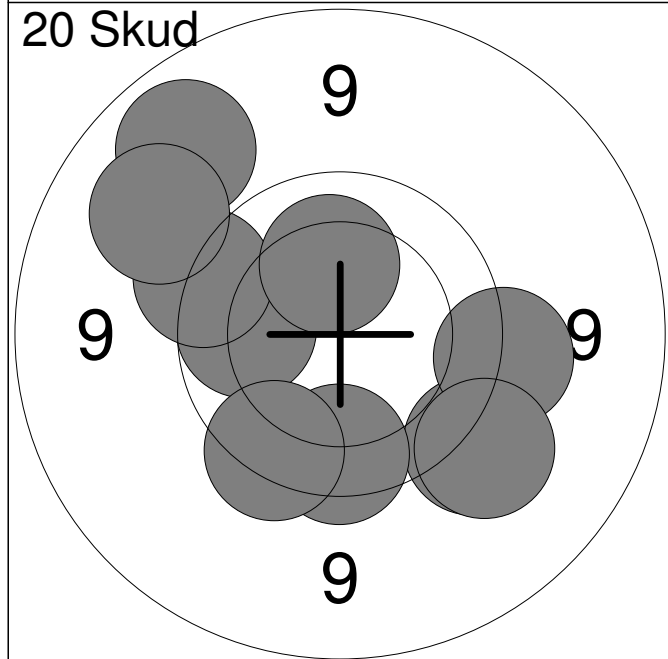


| | | |
|--------------|--------------|---|
| 11: | 9.9 | ↘ |
| 12: | 9.7 | ↘ |
| 13: | 10.2 | ↗ |
| 14: | 9.3 | ← |
| 15: | 9.5 | ↗ |
| 16: | 10.4 | ← |
| 17: | 10.7x | ↘ |
| 18: | 10.1 | ↓ |
| 19: | 8.4 | ← |
| 20: | 9.8 | ↓ |
| Serie | 93.0 | |
| Total | 188.0 | |



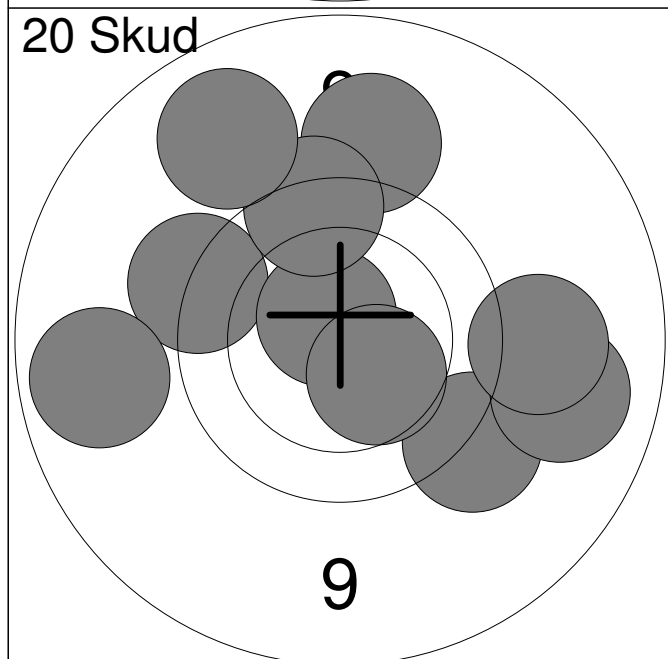
| | | |
|----|------|---|
| 1: | 8.9 | ↓ |
| 2: | 9.3 | ↓ |
| 3: | 10.0 | ↓ |
| 4: | 9.5 | ← |
| 5: | 9.5 | ← |
| 6: | 10.0 | ↗ |
| 7: | 9.5 | ↗ |
| 8: | 9.8 | ↓ |

| | |
|-------|------|
| Serie | 73.0 |
| Total | 0.0 |



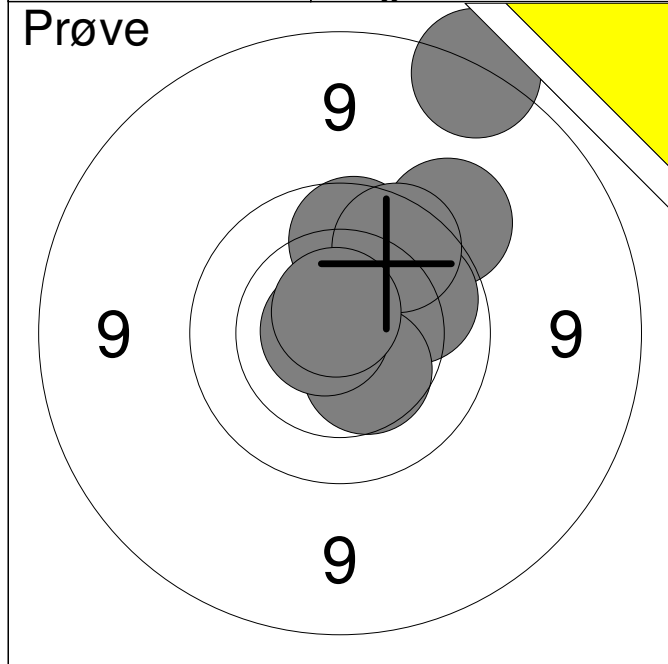
| | | |
|-----|------|---|
| 1: | 9.9 | ← |
| 2: | 9.5 | ↓ |
| 3: | 9.5 | → |
| 4: | 9.6 | ↗ |
| 5: | 9.8 | ↓ |
| 6: | 9.4 | ↓ |
| 7: | 10.2 | ↗ |
| 8: | 9.0 | ↗ |
| 9: | 9.7 | ↓ |
| 10: | 9.2 | ↗ |

| | |
|-------|------|
| Serie | 91.0 |
| Total | 91.0 |

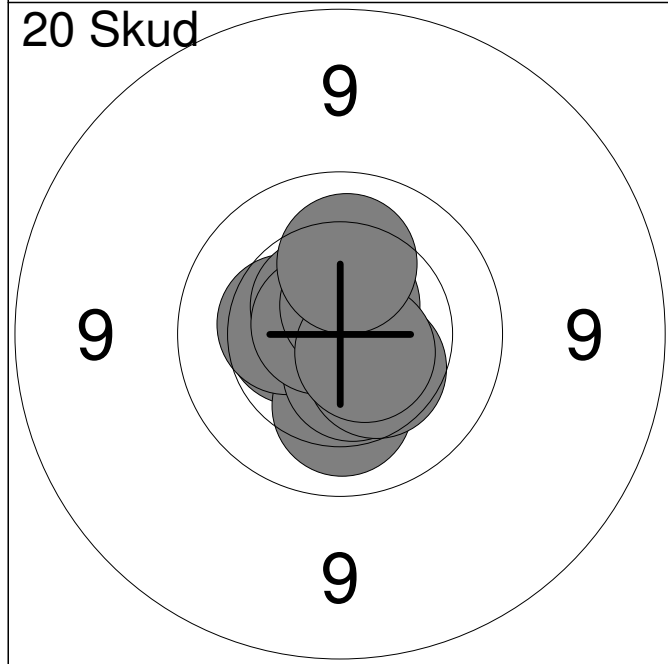


| | | |
|-----|-------|---|
| 11: | 9.5 | ↓ |
| 12: | 9.6 | ↗ |
| 13: | 10.7x | ↗ |
| 14: | 9.1 | → |
| 15: | 9.3 | ↗ |
| 16: | 10.4 | ↓ |
| 17: | 9.0 | ← |
| 18: | 9.7 | ↗ |
| 19: | 9.3 | → |
| 20: | 9.1 | ↗ |

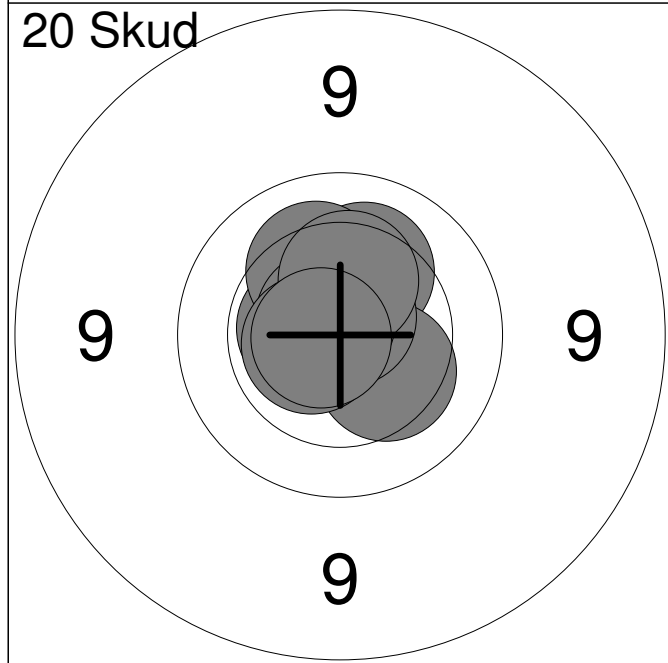
| | |
|-------|-------|
| Serie | 92.0 |
| Total | 183.0 |



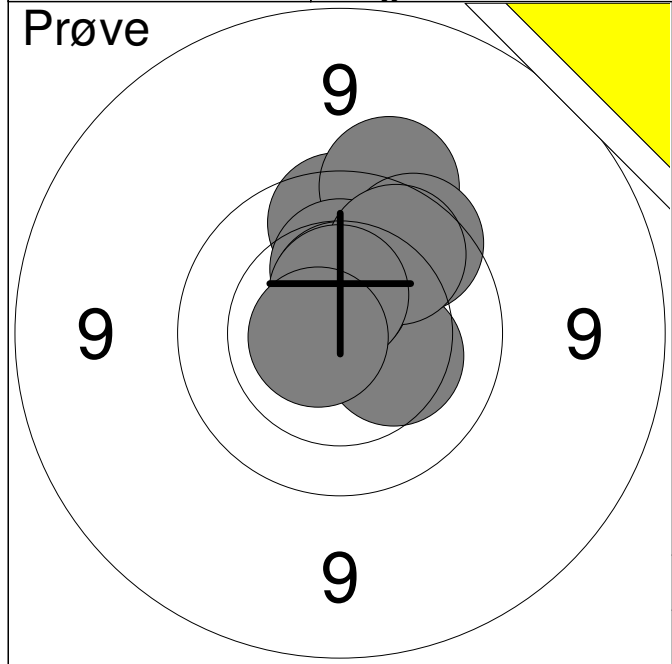
| | | |
|--------------|-------|-------------|
| 1: | 9.5 | ↗ |
| 2: | 8.7 | ↑ |
| 3: | 10.0 | → |
| 4: | 9.9 | ↑ |
| 5: | 9.8 | ↗ |
| 6: | 10.4 | ↘ |
| 7: | 10.8x | ← |
| 8: | 10.7x | ↑ |
| Serie | | 75.0 |
| Total | | 0.0 |



| | | |
|--------------|-------|--------------|
| 1: | 10.5 | ← |
| 2: | 10.2 | ↓ |
| 3: | 10.4 | ← |
| 4: | 10.5x | ↓ |
| 5: | 10.6x | ↗ |
| 6: | 10.4 | ↘ |
| 7: | 10.7x | ↗ |
| 8: | 10.6x | ↑ |
| 9: | 10.6x | ↘ |
| 10: | 10.2 | ↑ |
| Serie | | 100.0 |
| Total | | 100.0 |

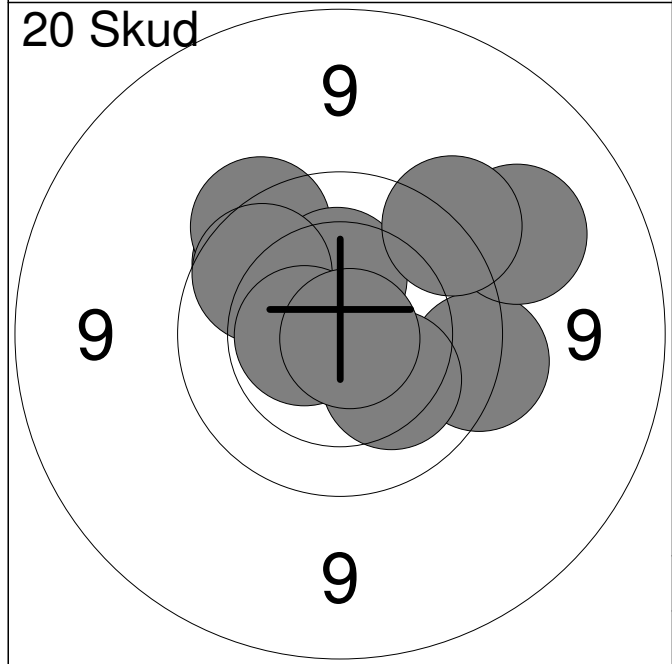


| | | |
|--------------|-------|--------------|
| 11: | 10.5x | ↑ |
| 12: | 10.2 | ↑ |
| 13: | 10.6x | ← |
| 14: | 10.3 | ↘ |
| 15: | 10.2 | ↗ |
| 16: | 10.7x | ↗ |
| 17: | 10.7x | ↗ |
| 18: | 10.4 | ↑ |
| 19: | 10.6x | ← |
| 20: | 10.7x | ← |
| Serie | | 100.0 |
| Total | | 200.0 |



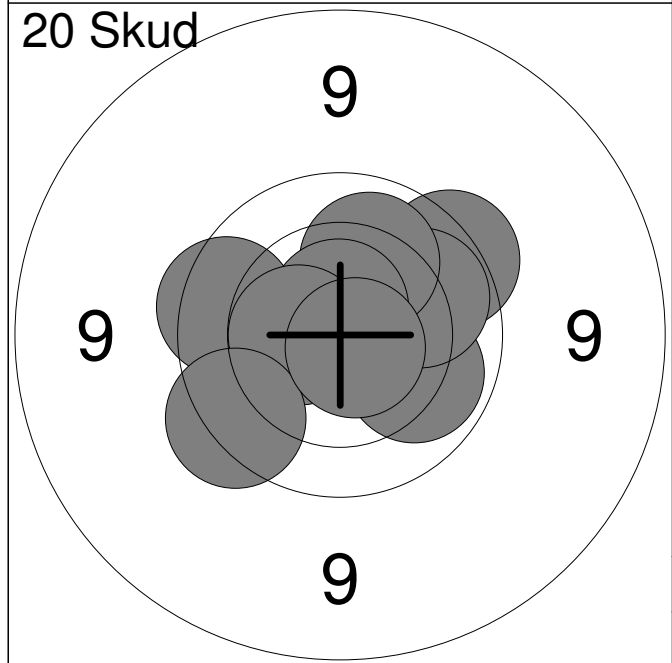
| | | |
|----|-------|---|
| 1: | 10.3 | → |
| 2: | 9.8 | ↑ |
| 3: | 9.6 | ↑ |
| 4: | 10.3 | ↑ |
| 5: | 9.8 | ↗ |
| 6: | 10.5x | ↑ |
| 7: | 9.9 | ↗ |
| 8: | 10.5x | ↑ |
| 9: | 10.7x | ← |

| | |
|--------------|-------------|
| Serie | 86.0 |
| Total | 0.0 |



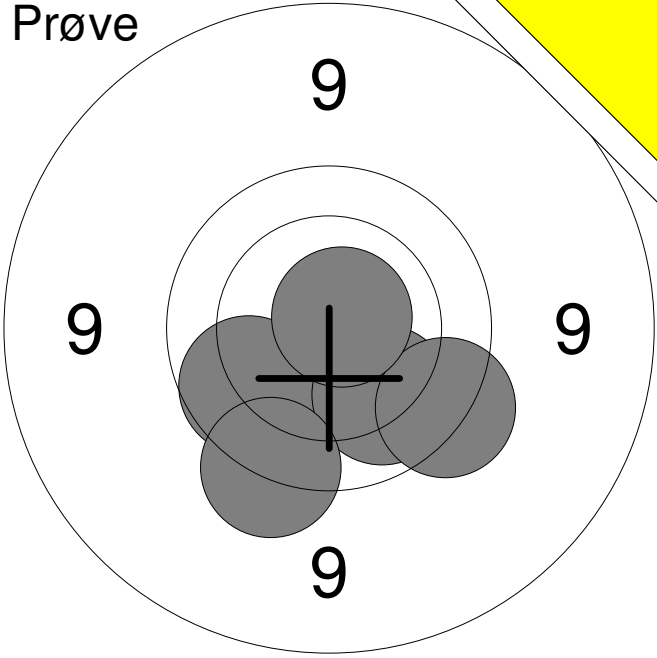
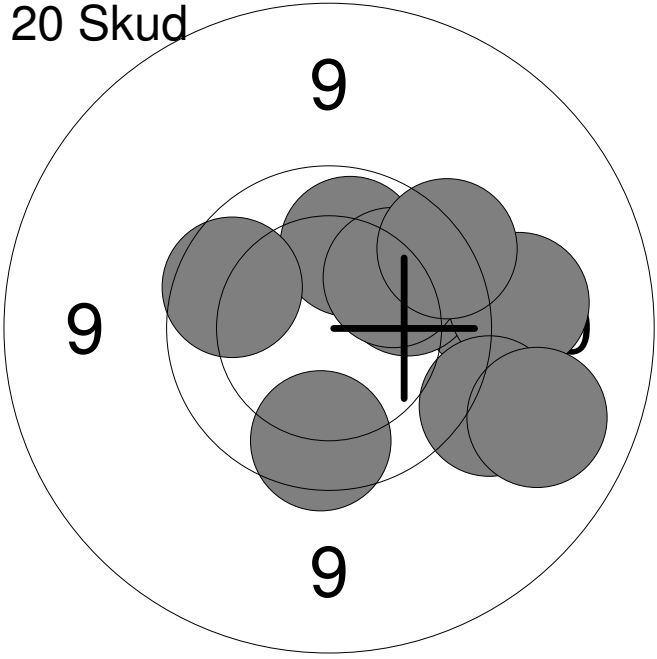
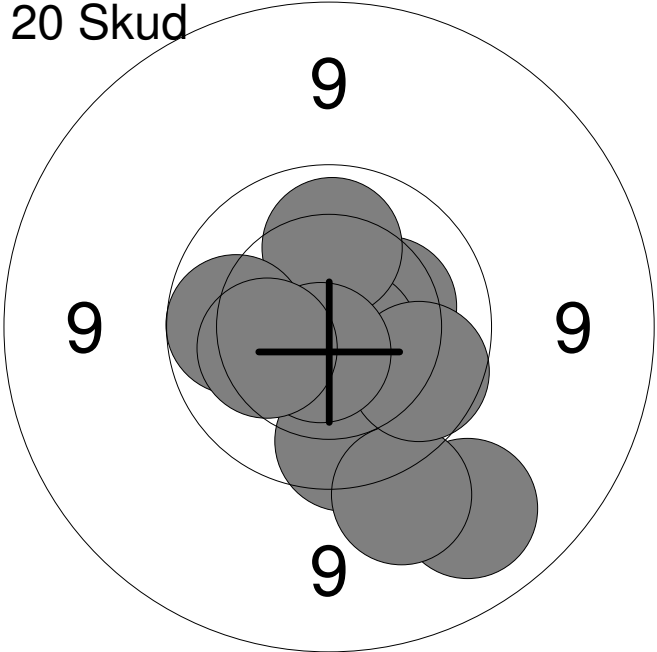
| | | |
|-----|-------|---|
| 1: | 9.9 | ↗ |
| 2: | 9.6 | → |
| 3: | 9.7 | ↗ |
| 4: | 10.3 | ↑ |
| 5: | 9.9 | ↗ |
| 6: | 10.6x | ← |
| 7: | 10.2 | ↘ |
| 8: | 10.8x | → |
| 9: | 9.3 | ↗ |
| 10: | 9.6 | ↗ |

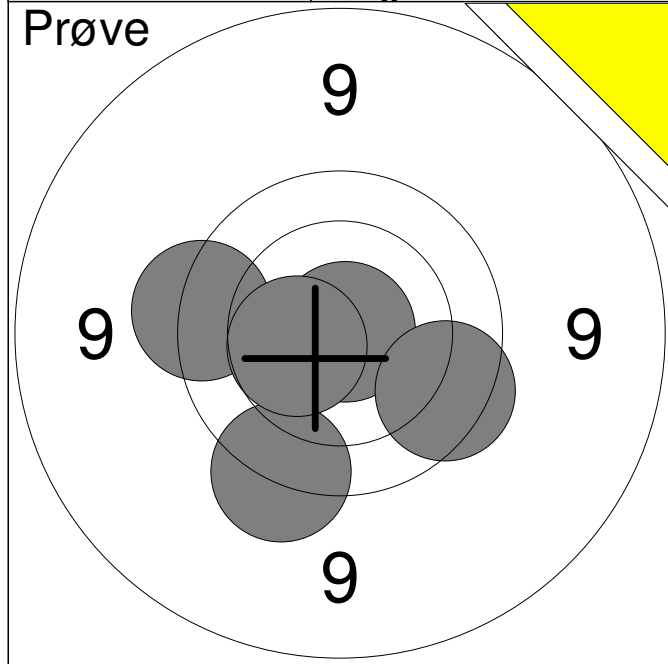
| | |
|--------------|-------------|
| Serie | 94.0 |
| Total | 94.0 |



| | | |
|-----|-------|---|
| 11: | 10.2 | → |
| 12: | 10.1 | → |
| 13: | 9.7 | ↗ |
| 14: | 9.8 | ← |
| 15: | 10.0 | ↗ |
| 16: | 10.1 | ↑ |
| 17: | 10.7x | ↑ |
| 18: | 10.5x | ← |
| 19: | 9.7 | ↙ |
| 20: | 10.7x | ↘ |

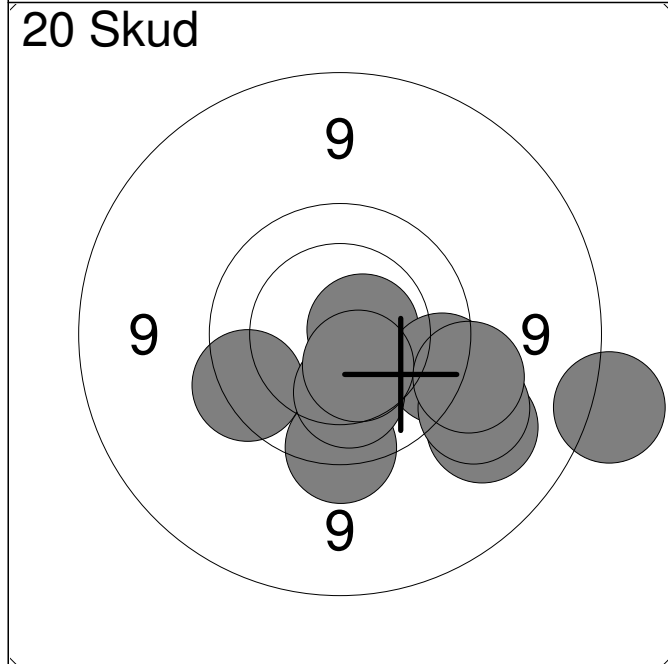
| | |
|--------------|--------------|
| Serie | 97.0 |
| Total | 191.0 |

| Hold | Skive | Svend Peter Larsen | |
|---------|--|---------------------|--------------|
| 22 | 4 | | |
| 15m | Sæby og Omegns Skytteforening | V2 | |
| | Nordjysk Mesterskab 2015 | Aalborg Skyttekreds | |
| Prøve |  | 1: 9.9 ↙ | |
| | | 2: 10.0 ↓ | |
| | | 3: 9.6 ↓ | |
| | | 4: 9.7 ↓ | |
| | | 5: 10.8x ↗ | |
| | | Serie | 47.0 |
| | | Total | 0.0 |
| 20 Skud |  | 1: 9.5 → | |
| | | 2: 10.0 ↗ | |
| | | 3: 10.0 ↑ | |
| | | 4: 9.9 ↖ | |
| | | 5: 9.3 → | |
| | | 6: 10.1 ↗ | |
| | | 7: 9.6 ↗ | |
| | | 8: 9.4 → | |
| | | 9: 9.1 → | |
| | | 10: 9.8 ↓ | |
| | | Serie | 93.0 |
| | | Total | 93.0 |
| 20 Skud |  | 11: 10.3 → | |
| | | 12: 10.7x ↓ | |
| | | 13: 9.1 ↓ | |
| | | 14: 9.8 ↓ | |
| | | 15: 10.1 ↑ | |
| | | 16: 9.4 ↓ | |
| | | 17: 9.9 → | |
| | | 18: 9.9 ← | |
| | | 19: 10.7x ↓ | |
| | | 20: 10.2 ← | |
| | | Serie | 95.0 |
| | | Total | 188.0 |



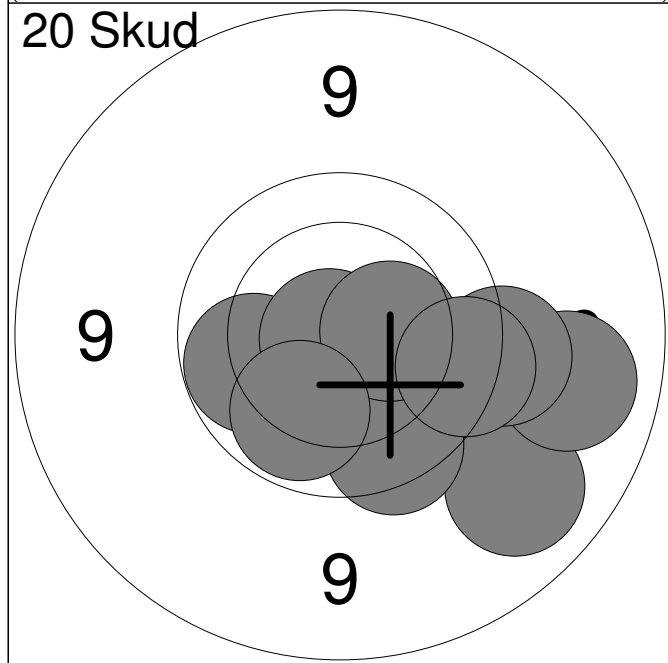
| | | |
|----|-------|---|
| 1: | 9.6 | ↘ |
| 2: | 9.7 | ← |
| 3: | 10.9x | → |
| 4: | 9.8 | ↘ |
| 5: | 10.5 | ← |

| | |
|-------|------|
| Serie | 47.0 |
| Total | 0.0 |



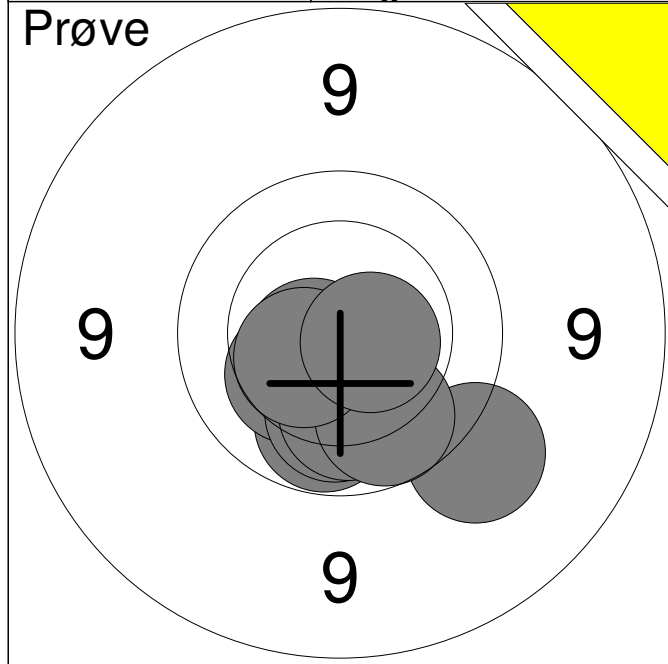
| | | |
|-----|-------|---|
| 1: | 10.6x | → |
| 2: | 9.7 | ↘ |
| 3: | 9.7 | ↙ |
| 4: | 9.7 | ↓ |
| 5: | 8.6 | → |
| 6: | 10.2 | ↓ |
| 7: | 10.5 | ↘ |
| 8: | 9.2 | ↘ |
| 9: | 9.3 | ↘ |
| 10: | 9.5 | → |

| | |
|-------|------|
| Serie | 92.0 |
| Total | 92.0 |



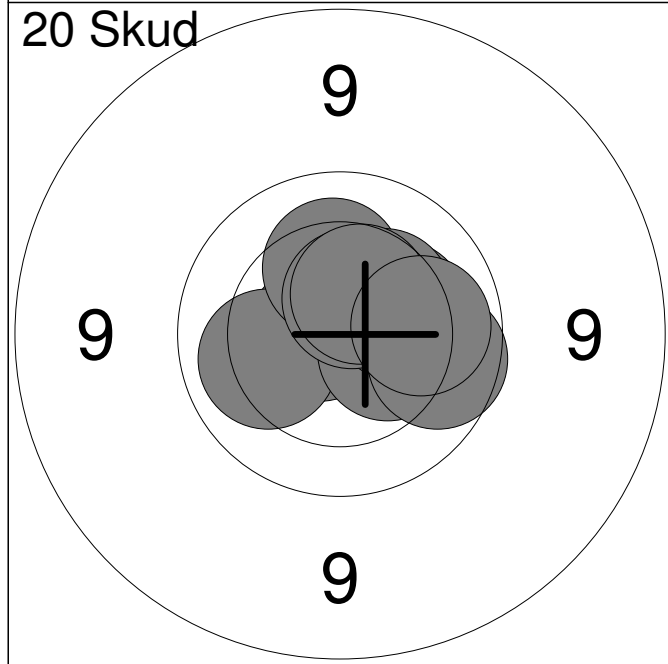
| | | |
|-----|-------|---|
| 11: | 10.0 | ← |
| 12: | 9.9 | → |
| 13: | 9.1 | ↘ |
| 14: | 9.8 | ↘ |
| 15: | 10.8x | ↙ |
| 16: | 9.1 | → |
| 17: | 10.4 | → |
| 18: | 9.5 | → |
| 19: | 10.0 | ↘ |
| 20: | 9.7 | → |

| | |
|-------|-------|
| Serie | 94.0 |
| Total | 186.0 |



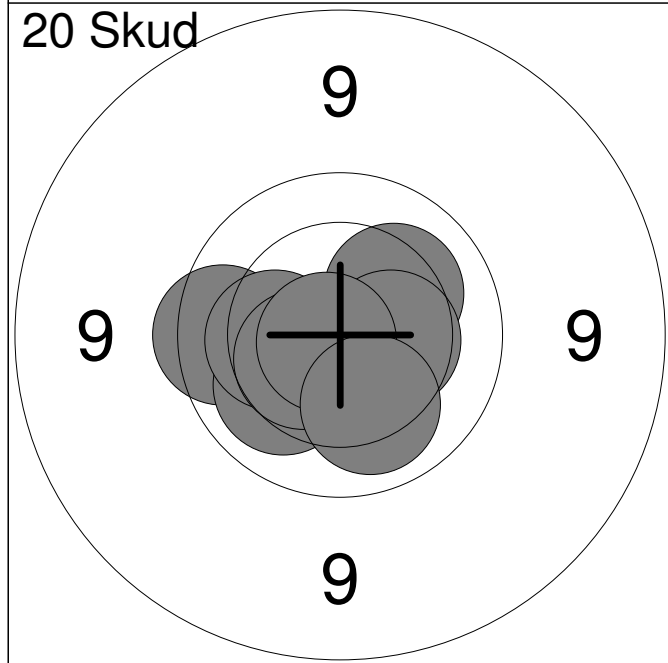
| | | |
|----|-------|---|
| 1: | 10.0 | ↓ |
| 2: | 10.3 | ↙ |
| 3: | 9.4 | ↘ |
| 4: | 10.1 | ↓ |
| 5: | 10.1 | ↓ |
| 6: | 10.6x | ↙ |
| 7: | 9.9 | ↘ |
| 8: | 10.5 | ↙ |
| 9: | 10.6x | → |

| | |
|-------|------|
| Serie | 88.0 |
| Total | 0.0 |



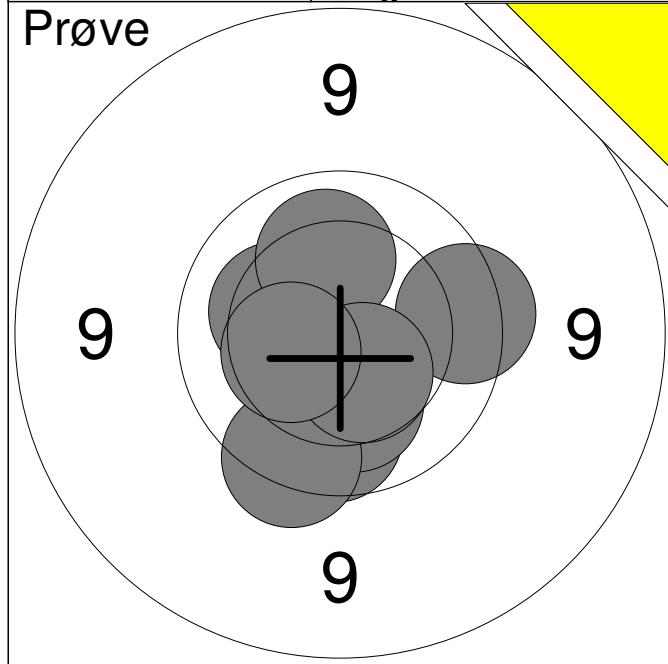
| | | |
|-----|-------|---|
| 1: | 10.7x | ← |
| 2: | 10.1 | ← |
| 3: | 10.2 | ↑ |
| 4: | 10.4 | → |
| 5: | 10.3 | → |
| 6: | 10.3 | ↗ |
| 7: | 9.9 | → |
| 8: | 10.5x | ↑ |
| 9: | 10.5 | ↗ |
| 10: | 10.1 | → |

| | |
|-------|------|
| Serie | 99.0 |
| Total | 99.0 |



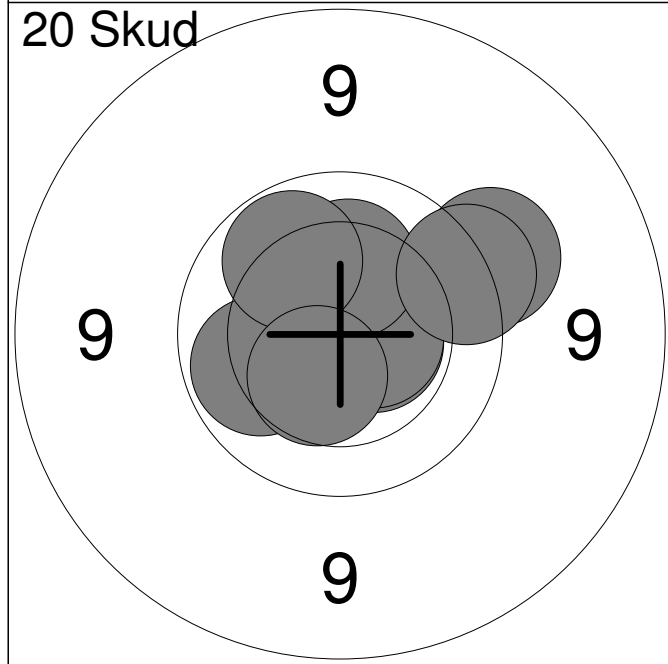
| | | |
|-----|-------|---|
| 11: | 10.2 | ↗ |
| 12: | 10.4 | ↓ |
| 13: | 10.3 | ↙ |
| 14: | 9.8 | ← |
| 15: | 10.4 | → |
| 16: | 10.1 | ↙ |
| 17: | 10.2 | ← |
| 18: | 10.5 | ↙ |
| 19: | 10.8x | ↙ |
| 20: | 10.1 | ↓ |

| | |
|-------|-------|
| Serie | 99.0 |
| Total | 198.0 |



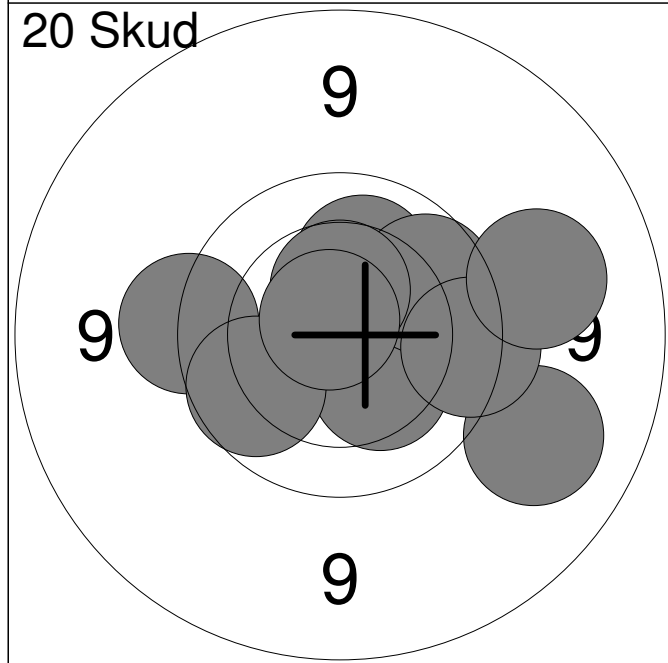
| | | |
|----|------|---|
| 1: | 9.7 | → |
| 2: | 9.9 | ↓ |
| 3: | 10.2 | ↓ |
| 4: | 10.2 | ↖ |
| 5: | 9.7 | ↓ |
| 6: | 10.1 | ↑ |
| 7: | 10.5 | ↓ |
| 8: | 10.4 | ↖ |

| | |
|-------|------|
| Serie | 77.0 |
| Total | 0.0 |



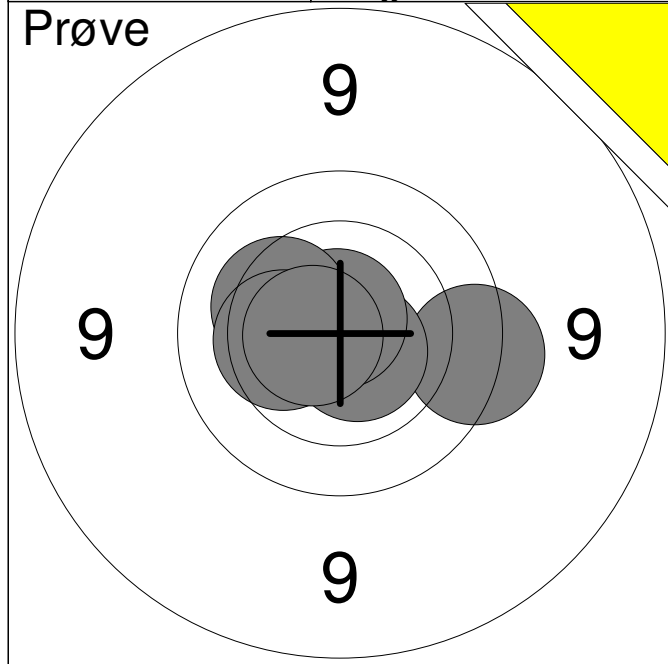
| | | |
|-----|-------|---|
| 1: | 10.8x | → |
| 2: | 10.6x | → |
| 3: | 10.6x | ↖ |
| 4: | 9.5 | ↗ |
| 5: | 10.0 | ↖ |
| 6: | 10.6x | → |
| 7: | 10.2 | ↑ |
| 8: | 9.7 | ↗ |
| 9: | 10.0 | ↑ |
| 10: | 10.4 | ↓ |

| | |
|-------|------|
| Serie | 98.0 |
| Total | 98.0 |



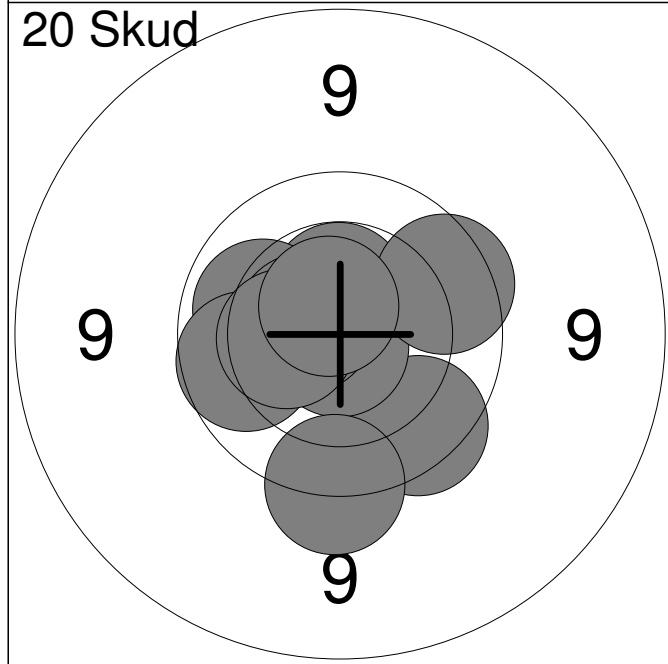
| | | |
|-----|-------|---|
| 11: | 9.6 | ↖ |
| 12: | 9.2 | → |
| 13: | 10.2 | ↑ |
| 14: | 10.3 | ↓ |
| 15: | 9.9 | ↖ |
| 16: | 9.9 | ↗ |
| 17: | 9.7 | → |
| 18: | 10.5 | ↑ |
| 19: | 9.3 | → |
| 20: | 10.7x | ↑ |

| | |
|-------|-------|
| Serie | 94.0 |
| Total | 192.0 |



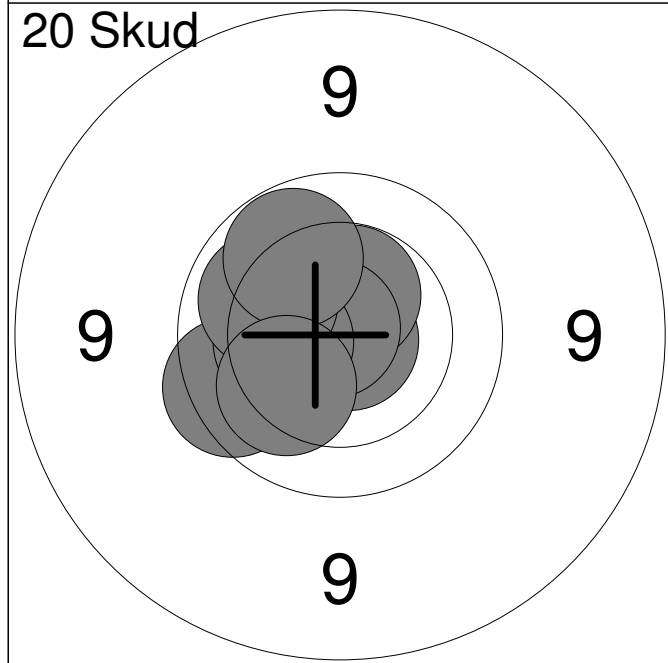
| | | |
|----|-------|---|
| 1: | 9.7 | → |
| 2: | 10.7x | ↘ |
| 3: | 10.8x | ↑ |
| 4: | 10.3 | ↗ |
| 5: | 10.3 | ← |
| 6: | 10.7x | ← |

| | |
|-------|------|
| Serie | 59.0 |
| Total | 0.0 |



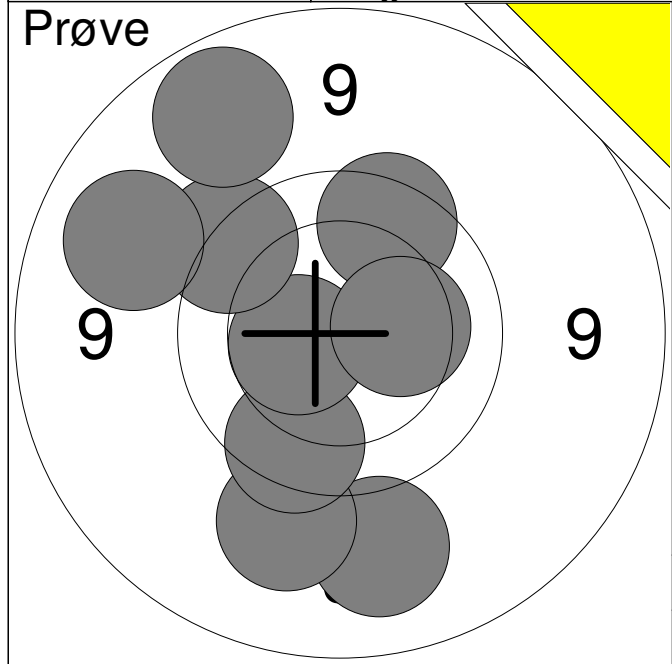
| | | |
|-----|-------|---|
| 1: | 10.5x | ↑ |
| 2: | 10.1 | ← |
| 3: | 9.8 | ↘ |
| 4: | 10.8x | ↓ |
| 5: | 9.8 | → |
| 6: | 9.9 | ← |
| 7: | 9.6 | ↓ |
| 8: | 10.6x | ← |
| 9: | 10.4 | ← |
| 10: | 10.6x | ↑ |

| | |
|-------|------|
| Serie | 96.0 |
| Total | 96.0 |

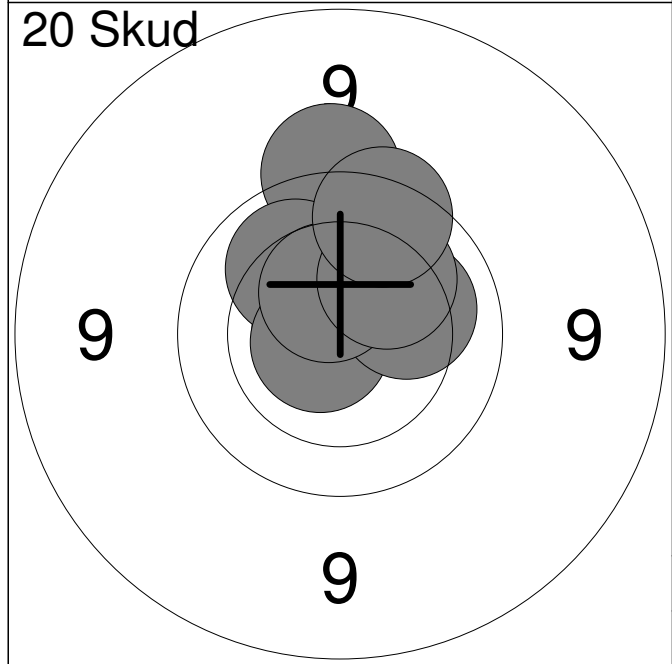


| | | |
|-----|-------|---|
| 11: | 10.1 | ↙ |
| 12: | 9.8 | ↙ |
| 13: | 10.8x | ↘ |
| 14: | 10.5x | ↑ |
| 15: | 10.4 | ← |
| 16: | 10.8x | ↗ |
| 17: | 10.3 | ← |
| 18: | 10.1 | ↗ |
| 19: | 10.0 | ↗ |
| 20: | 10.2 | ↙ |

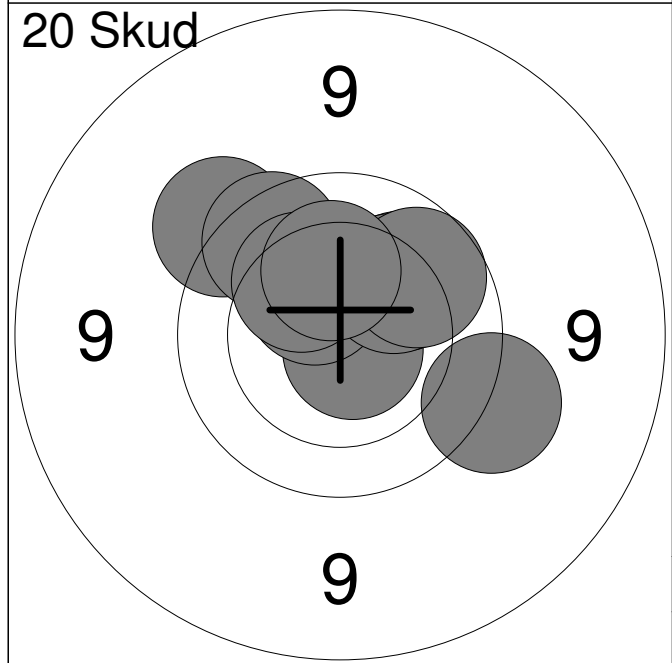
| | |
|-------|-------|
| Serie | 99.0 |
| Total | 195.0 |



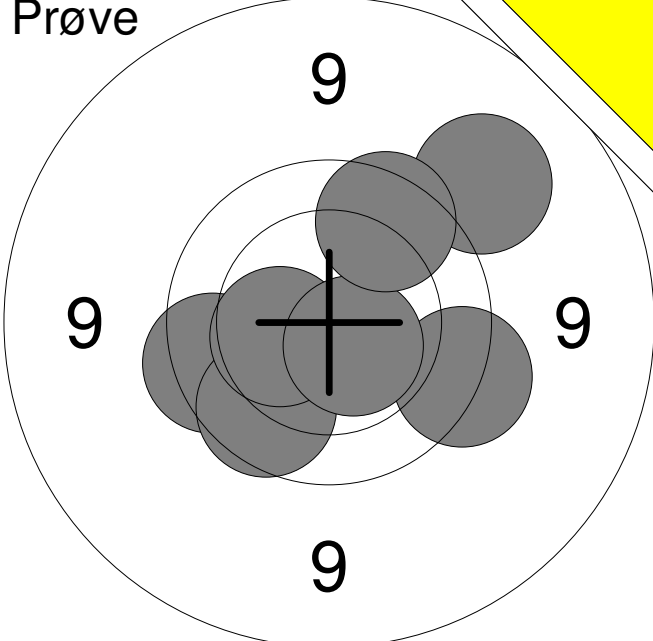
| | | |
|--------------|------|-------------|
| 1: | 9.2 | ↓ |
| 2: | 9.3 | ↓ |
| 3: | 9.8 | ↓ |
| 4: | 10.5 | ← |
| 5: | 9.6 | ↗ |
| 6: | 9.1 | ↗ |
| 7: | 9.0 | ↗ |
| 8: | 9.8 | ↗ |
| 9: | 10.3 | → |
| Serie | | 83.0 |
| Total | | 0.0 |

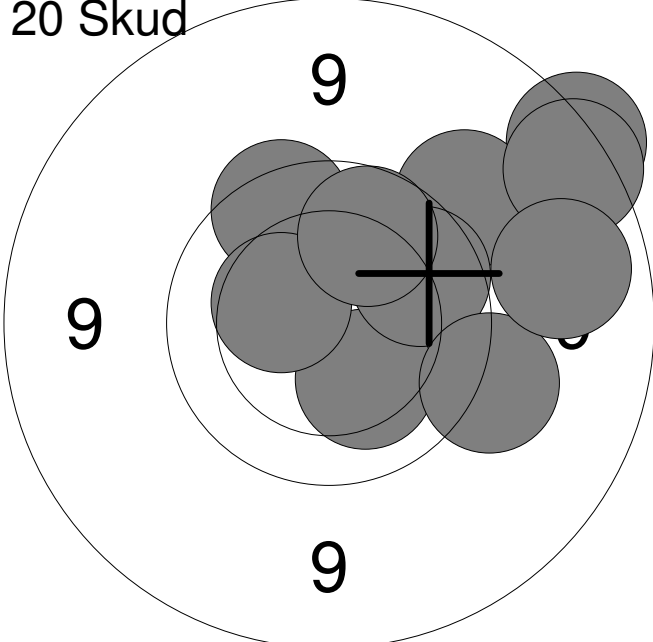


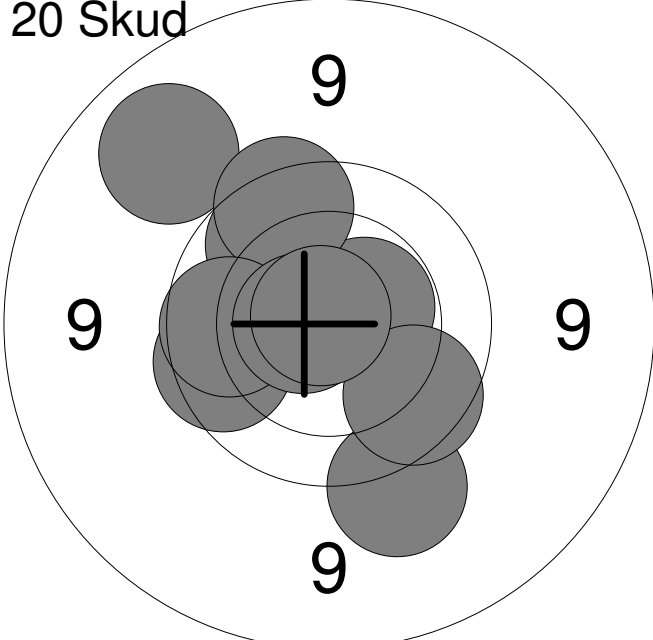
| | | |
|--------------|-------|-------------|
| 1: | 9.9 | ↑ |
| 2: | 10.8x | ← |
| 3: | 9.5 | ↑ |
| 4: | 10.1 | ↗ |
| 5: | 10.4 | ↗ |
| 6: | 10.7x | ← |
| 7: | 10.2 | → |
| 8: | 10.5 | ↑ |
| 9: | 10.2 | ↗ |
| 10: | 9.8 | ↑ |
| Serie | | 97.0 |
| Total | | 97.0 |

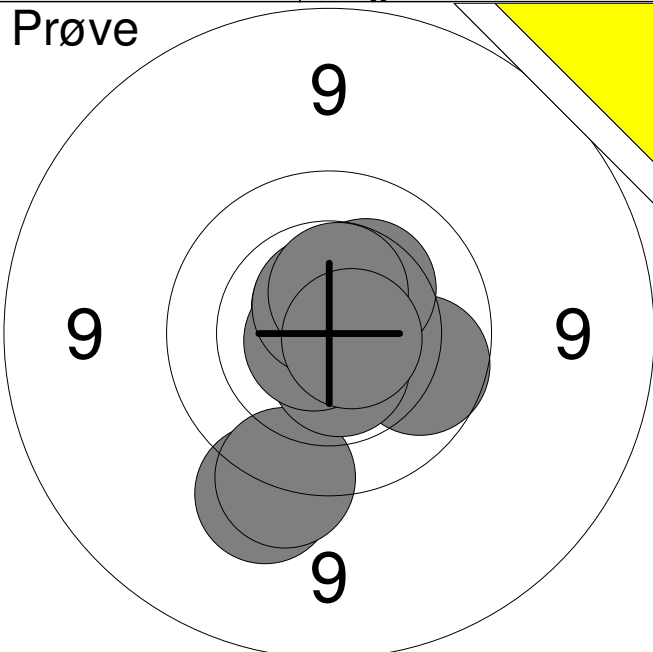
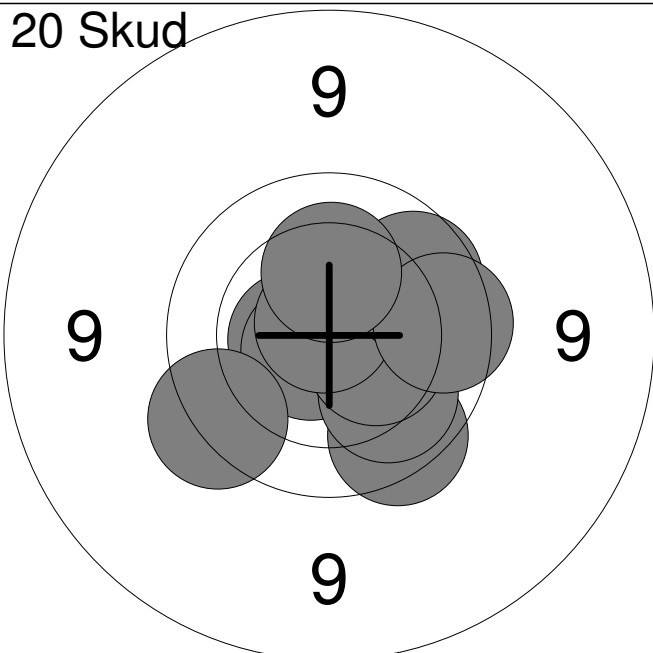
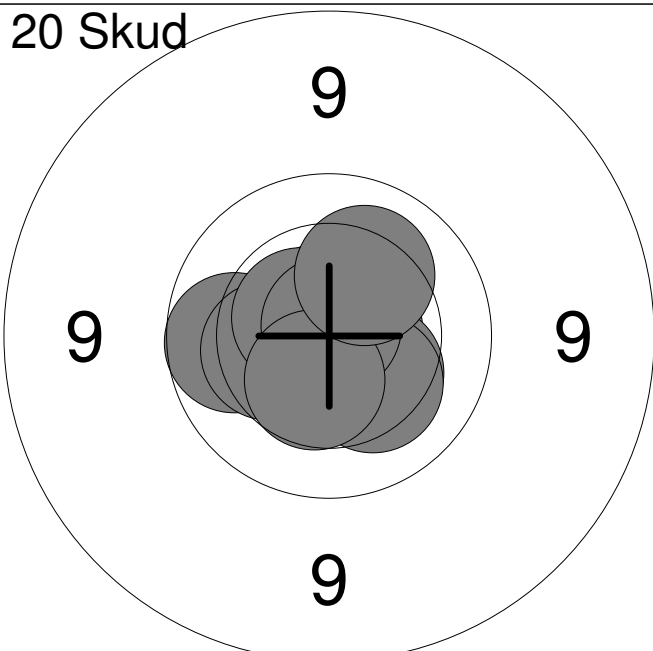


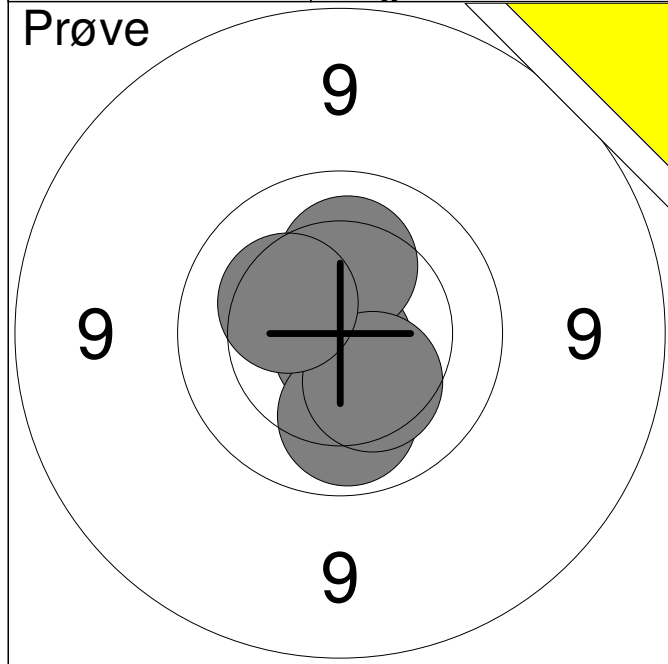
| | | |
|--------------|-------|--------------|
| 11: | 10.7x | ↓ |
| 12: | 10.1 | ↗ |
| 13: | 10.4 | ↗ |
| 14: | 9.5 | ↗ |
| 15: | 9.8 | ↗ |
| 16: | 9.5 | ↓ |
| 17: | 10.2 | ↗ |
| 18: | 10.2 | ↗ |
| 19: | 9.9 | ↗ |
| 20: | 10.3 | ↑ |
| Serie | | 96.0 |
| Total | | 193.0 |

| | | | |
|--|--------------|-------|------------|
| Prøve  | 1: | 9.8 | ← |
| | 2: | 9.9 | ↙ |
| | 3: | 10.4 | ← |
| | 4: | 9.6 | → |
| | 5: | 9.3 | ↗ |
| | 6: | 10.6x | ↘ |
| | 7: | 9.8 | ↗ |
| | Serie | | |
| Total | | | 0.0 |

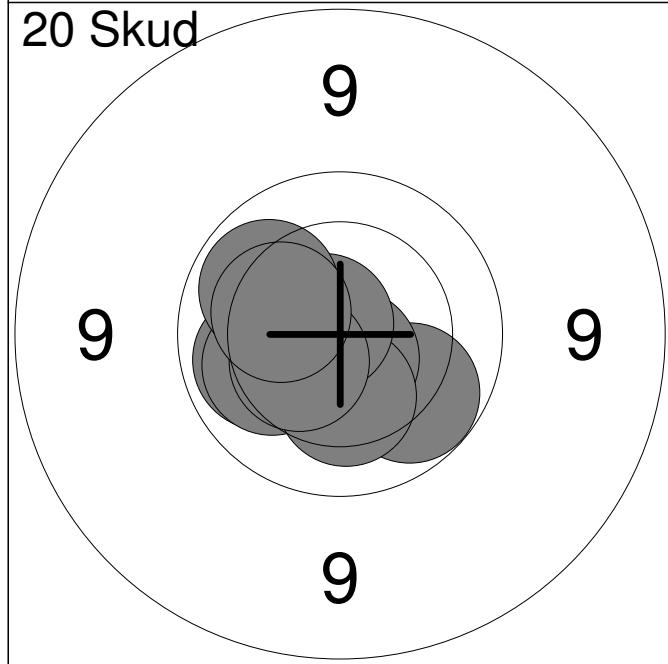
| | | | |
|---|--------------|------|-------------|
| 20 Skud  | 1: | 8.7 | ↗ |
| | 2: | 9.8 | ↑ |
| | 3: | 9.4 | ↗ |
| | 4: | 10.2 | ↘ |
| | 5: | 10.4 | ↗ |
| | 6: | 8.8 | ↗ |
| | 7: | 9.9 | ↗ |
| | 8: | 9.5 | → |
| | 9: | 9.9 | ↑ |
| | 10: | 9.1 | → |
| | Serie | | |
| Total | | | 90.0 |

| | | | |
|--|--------------|-------|--------------|
| 20 Skud  | 11: | 9.4 | ↘ |
| | 12: | 9.9 | ↗ |
| | 13: | 9.1 | ↗ |
| | 14: | 10.5x | → |
| | 15: | 9.7 | ↗ |
| | 16: | 9.8 | ↘ |
| | 17: | 9.8 | ← |
| | 18: | 9.9 | ← |
| | 19: | 10.7x | ← |
| | 20: | 10.8x | ↗ |
| | Serie | | |
| Total | | | 183.0 |

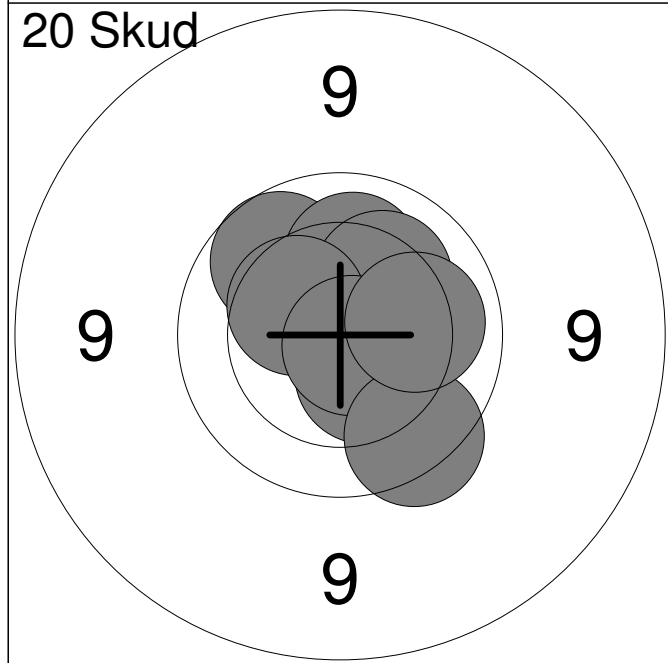
| Hold | Skive | Lotte B. Larsen | |
|---------|--|---|---------------------|
| 23 | 1 | Frederikshavn Skyttekreds | MÅ2 |
| 15m | | Nordjysk Mesterskab 2015 | Aalborg Skyttekreds |
| Prøve |  | 1: 9.9 → 2: 9.5 ↓ 3: 9.6 ↓ 4: 10.7x ↑ 5: 10.6x ↓ 6: 10.8x ↙ 7: 10.6x ↑ 8: 10.3 ↗ 9: 10.5x ↑ 10: 10.7x → | |
| | | Serie | 97.0 |
| | | Total | 0.0 |
| 20 Skud |  | 1: 9.8 ↓ 2: 10.6x ↙ 3: 10.7x ↙ 4: 10.1 ↓ 5: 10.4 → 6: 10.8x ↑ 7: 9.9 ↗ 8: 9.8 → 9: 9.7 ↙ 10: 10.3 ↑ | |
| | | Serie | 96.0 |
| | | Total | 96.0 |
| 20 Skud |  | 11: 10.7x ↑ 12: 10.7x → 13: 9.9 ↙ 14: 10.3 ↓ 15: 10.3 ↙ 16: 10.3 ↓ 17: 10.6x ↗ 18: 10.8x ↑ 19: 10.5 ↓ 20: 10.2 ↗ | |
| | | Serie | 99.0 |
| | | Total | 195.0 |



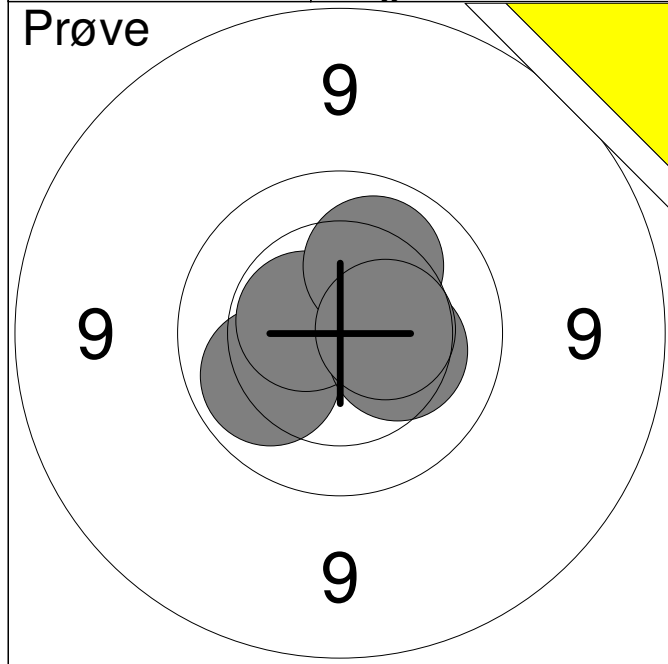
| | | |
|--------------|-------|-------------|
| 1: | 10.8x | ↓ |
| 2: | 10.1 | ↓ |
| 3: | 10.2 | ↑ |
| 4: | 10.3 | ↓ |
| 5: | 10.3 | ↗ |
| Serie | | 50.0 |
| Total | | 0.0 |



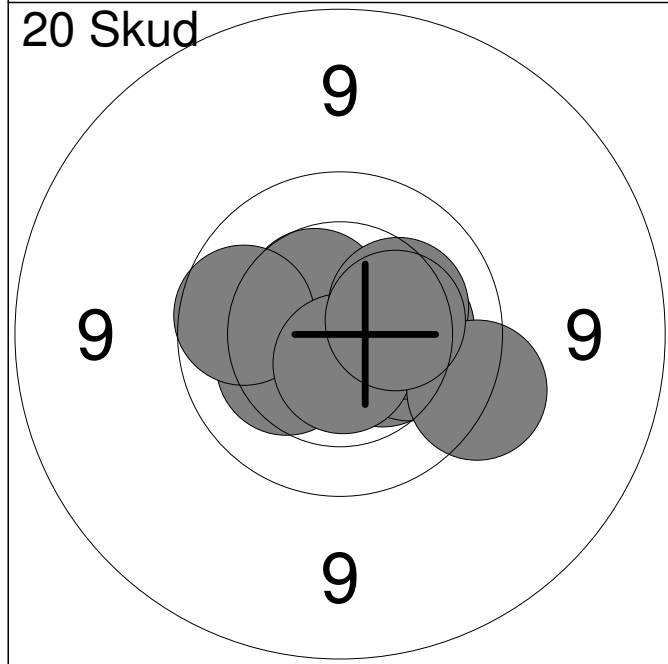
| | | |
|--------------|-------|--------------|
| 1: | 10.1 | ← |
| 2: | 10.7x | ↓ |
| 3: | 10.0 | ↓ |
| 4: | 10.1 | ← |
| 5: | 10.7x | ↓ |
| 6: | 10.3 | ↓ |
| 7: | 10.7x | ↗ |
| 8: | 10.0 | ↗ |
| 9: | 10.4 | ← |
| 10: | 10.3 | ↖ |
| Serie | | 100.0 |
| Total | | 100.0 |



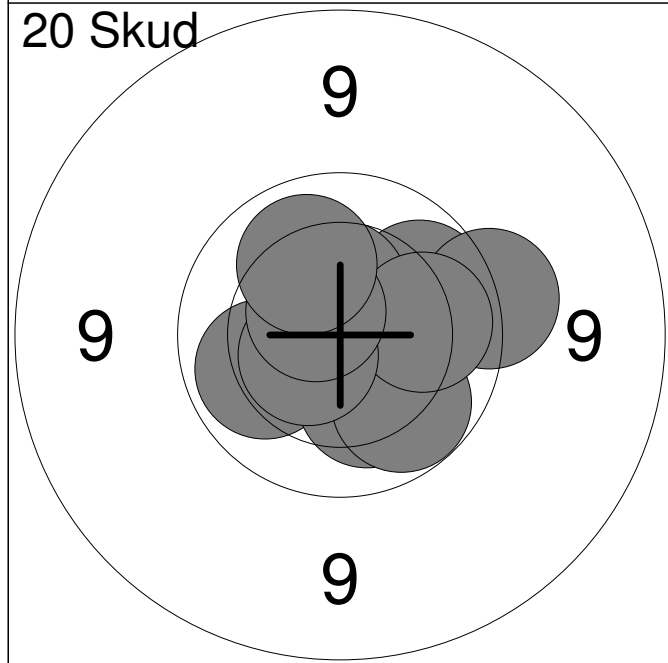
| | | |
|--------------|-------|--------------|
| 11: | 9.9 | ↗ |
| 12: | 10.2 | ↑ |
| 13: | 10.5x | ↓ |
| 14: | 10.7x | ↑ |
| 15: | 10.2 | ↗ |
| 16: | 10.5 | ↓ |
| 17: | 10.4 | ↗ |
| 18: | 10.8x | ↓ |
| 19: | 9.7 | ↓ |
| 20: | 10.1 | → |
| Serie | | 98.0 |
| Total | | 198.0 |



| | | |
|--------------|-------|-------------|
| 1: | 10.1 | ↙ |
| 2: | 10.6x | ↙ |
| 3: | 10.3 | → |
| 4: | 10.1 | ↗ |
| 5: | 10.5 | → |
| Serie | | 50.0 |
| Total | | 0.0 |



| | | |
|--------------|-------|-------------|
| 1: | 10.4 | ↘ |
| 2: | 10.5 | ↗ |
| 3: | 10.3 | ↙ |
| 4: | 9.9 | ↖ |
| 5: | 10.2 | → |
| 6: | 10.3 | → |
| 7: | 10.6x | ↓ |
| 8: | 10.3 | ↗ |
| 9: | 9.6 | ↘ |
| 10: | 10.3 | → |
| Serie | | 98.0 |
| Total | | 98.0 |

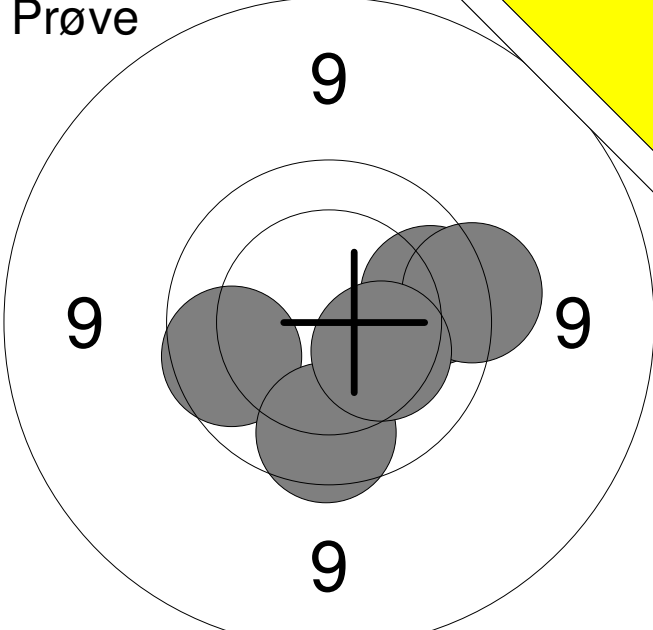


| | | |
|--------------|-------|--------------|
| 11: | 10.1 | ↖ |
| 12: | 10.0 | ↗ |
| 13: | 10.5 | ↑ |
| 14: | 10.2 | ↓ |
| 15: | 9.6 | → |
| 16: | 10.0 | ↓ |
| 17: | 10.0 | → |
| 18: | 10.5x | ↖ |
| 19: | 10.6x | ↗ |
| 20: | 10.1 | ↗ |
| Serie | | 99.0 |
| Total | | 197.0 |

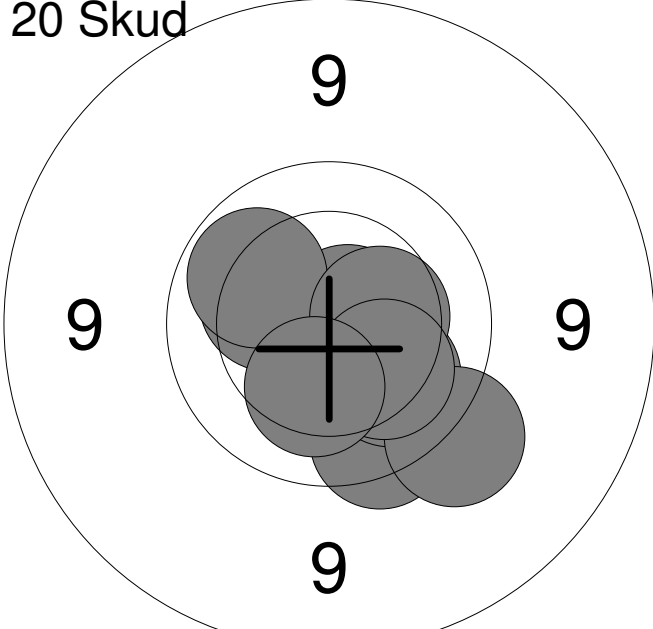
| | | | |
|-------------------|-------------------|--------------------------|--|
| Hold 23 | Skive 4 | Børge Christensen | |
|-------------------|-------------------|--------------------------|--|

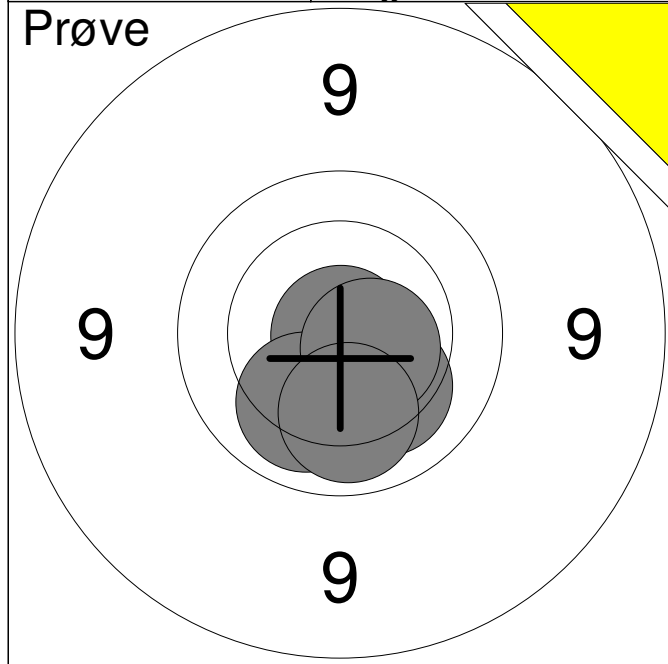
| | | |
|-----|---------------|-----|
| 15m | Skf. Kimbrene | MV1 |
|-----|---------------|-----|

| | | |
|--|--------------------------|---------------------|
| | Nordjysk Mesterskab 2015 | Aalborg Skyttekreds |
|--|--------------------------|---------------------|

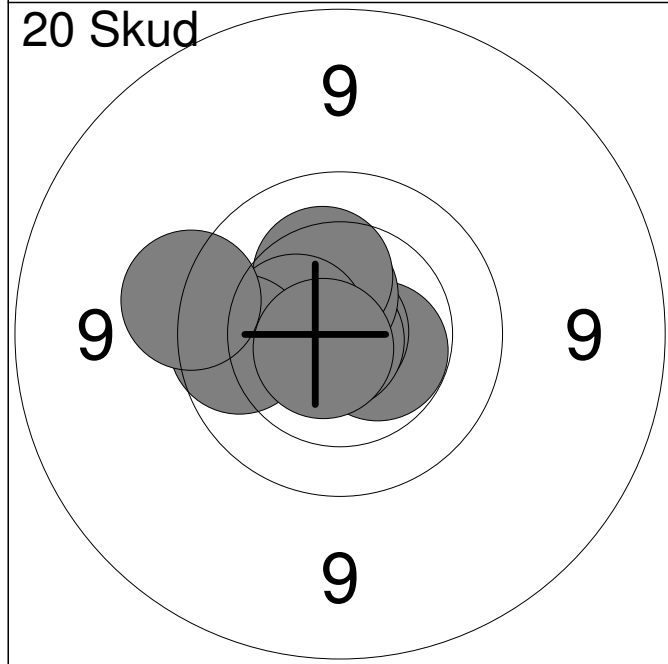
| | | |
|--|--------------|-------------|
| Prøve  | 1: 9.9 | ← |
| | 2: 9.9 | → |
| | 3: 9.8 | ↓ |
| | 4: 9.6 | → |
| | 5: 10.3 | ↘ |
| | Serie | 46.0 |
| Total | 0.0 | |

| | | |
|---|--------------|-------------|
| 20 Skud  | 1: 10.5 | ↗ |
| | 2: 10.2 | ↘ |
| | 3: 9.7 | ← |
| | 4: 10.0 | ↓ |
| | 5: 9.7 | ↙ |
| | 6: 10.8x | ↗ |
| | 7: 9.8 | ↓ |
| | 8: 10.8x | ← |
| | 9: 10.4 | ↗ |
| | 10: 10.3 | ↘ |
| | Serie | 97.0 |
| Total | 97.0 | |

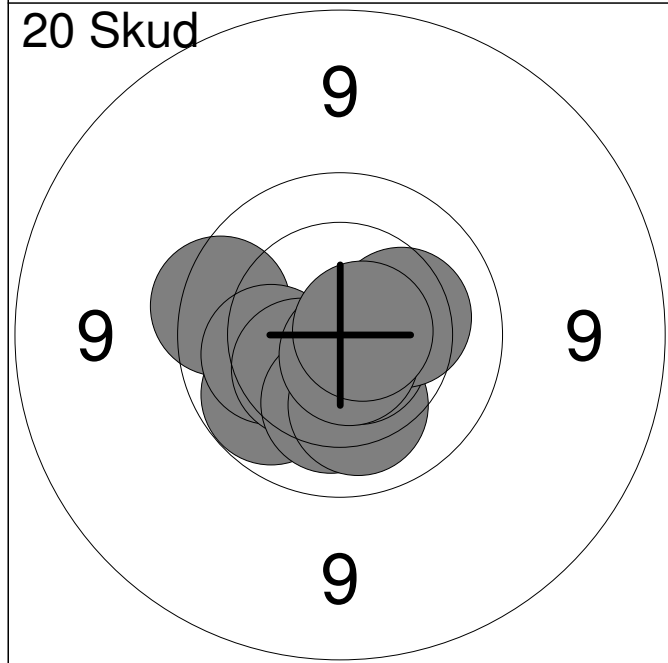
| | | |
|--|--------------|-------------|
| 20 Skud  | 11: 9.7 | ↓ |
| | 12: 10.3 | ↗ |
| | 13: 10.1 | ↘ |
| | 14: 10.6x | ↘ |
| | 15: 10.7x | ↗ |
| | 16: 9.5 | ↙ |
| | 17: 10.0 | ↗ |
| | 18: 10.4 | → |
| | 19: 10.2 | ↘ |
| | 20: 10.3 | ↓ |
| | Serie | 98.0 |
| Total | 195.0 | |



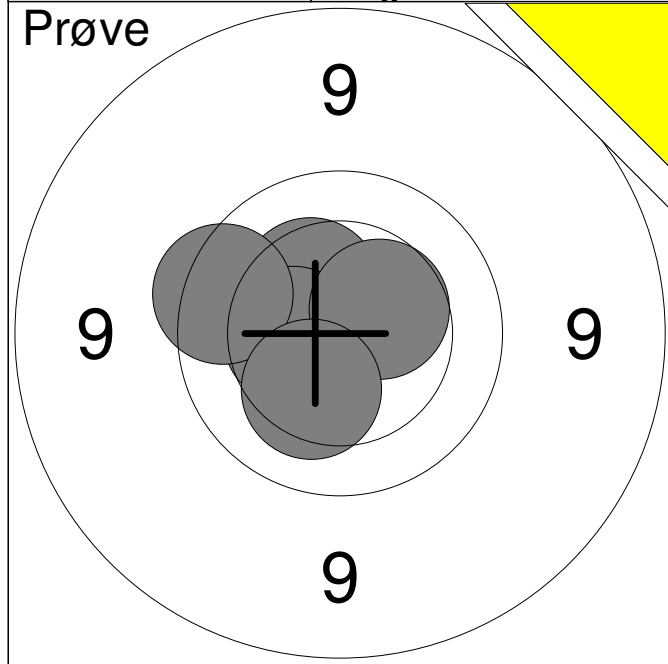
| | | |
|--------------|-------|-------------|
| 1: | 10.2 | ↘ |
| 2: | 10.9x | ↘ |
| 3: | 10.1 | ↙ |
| 4: | 10.6x | ↘ |
| 5: | 10.1 | ↘ |
| Serie | | 50.0 |
| Total | | 0.0 |



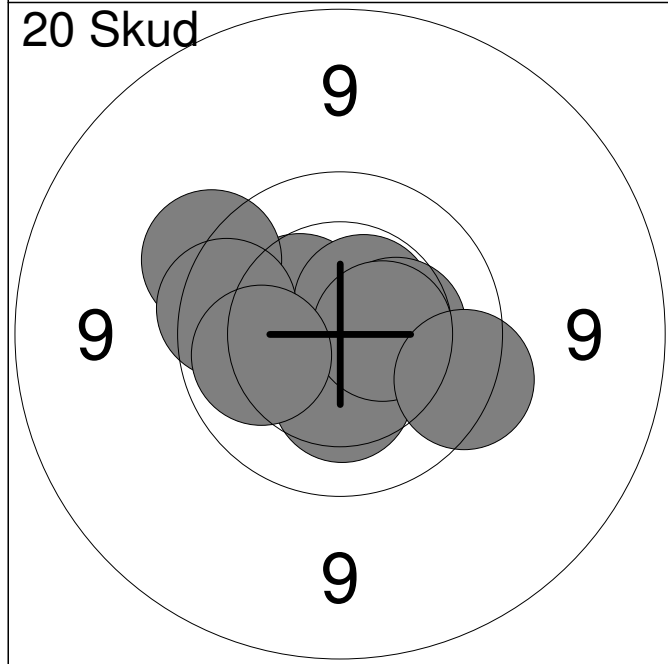
| | | |
|--------------|-------|-------------|
| 1: | 10.5x | ↗ |
| 2: | 10.9x | ↗ |
| 3: | 10.9x | ↙ |
| 4: | 10.4 | ← |
| 5: | 10.5x | ↗ |
| 6: | 10.3 | ↗ |
| 7: | 10.5 | ← |
| 8: | 9.9 | ← |
| 9: | 10.7x | ↙ |
| 10: | 9.6 | ← |
| Serie | | 98.0 |
| Total | | 98.0 |



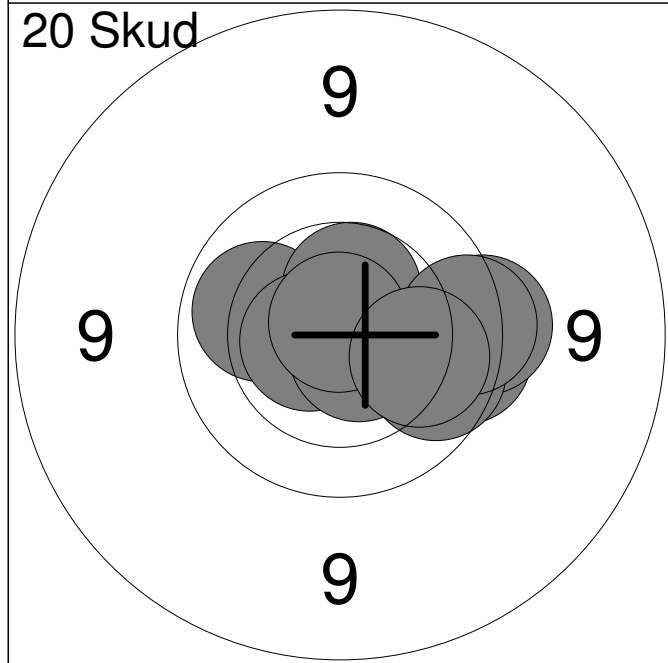
| | | |
|--------------|-------|--------------|
| 11: | 10.0 | ↙ |
| 12: | 9.8 | ← |
| 13: | 10.2 | ← |
| 14: | 10.4 | ↙ |
| 15: | 10.2 | ↘ |
| 16: | 10.2 | ↘ |
| 17: | 10.7x | ↘ |
| 18: | 10.3 | → |
| 19: | 10.7x | ↘ |
| 20: | 10.7x | → |
| Serie | | 99.0 |
| Total | | 197.0 |



| | | |
|--------------|-------------|---|
| 1: | 10.4 | ↗ |
| 2: | 10.4 | ← |
| 3: | 9.8 | ↖ |
| 4: | 10.4 | ↗ |
| 5: | 10.3 | ↘ |
| Serie | 49.0 | |
| Total | 0.0 | |



| | | |
|--------------|-------------|---|
| 1: | 10.5x | ← |
| 2: | 10.3 | ↓ |
| 3: | 10.4 | ↗ |
| 4: | 9.6 | ↗ |
| 5: | 10.5x | ↗ |
| 6: | 10.3 | → |
| 7: | 10.5 | → |
| 8: | 9.8 | ← |
| 9: | 10.1 | ← |
| 10: | 9.7 | → |
| Serie | 97.0 | |
| Total | 97.0 | |

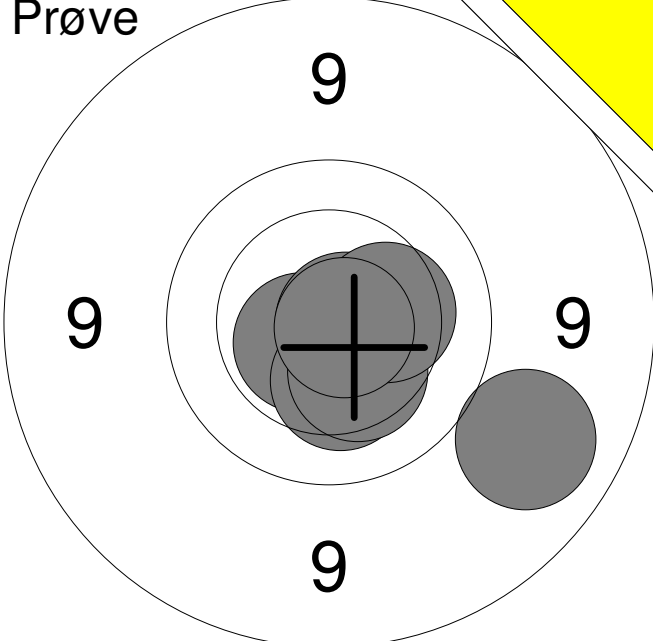


| | | |
|--------------|--------------|---|
| 11: | 10.1 | ← |
| 12: | 10.5 | ↑ |
| 13: | 10.6x | ← |
| 14: | 9.8 | → |
| 15: | 9.6 | → |
| 16: | 10.7x | ↘ |
| 17: | 9.9 | → |
| 18: | 9.7 | → |
| 19: | 10.8x | ↑ |
| 20: | 10.1 | → |
| Serie | 96.0 | |
| Total | 193.0 | |

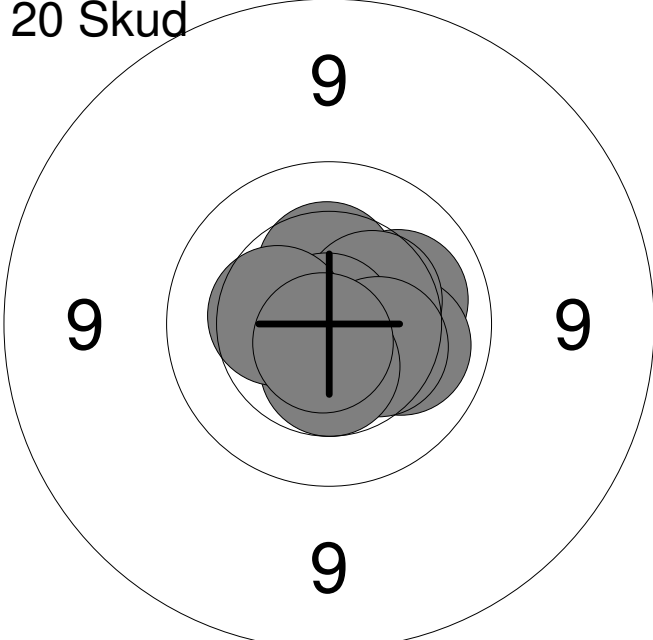
| | | |
|-------------------|-------------------|--------------------------------|
| Hold 23 | Skive 9 | Birgitte Kort Jørgensen |
|-------------------|-------------------|--------------------------------|

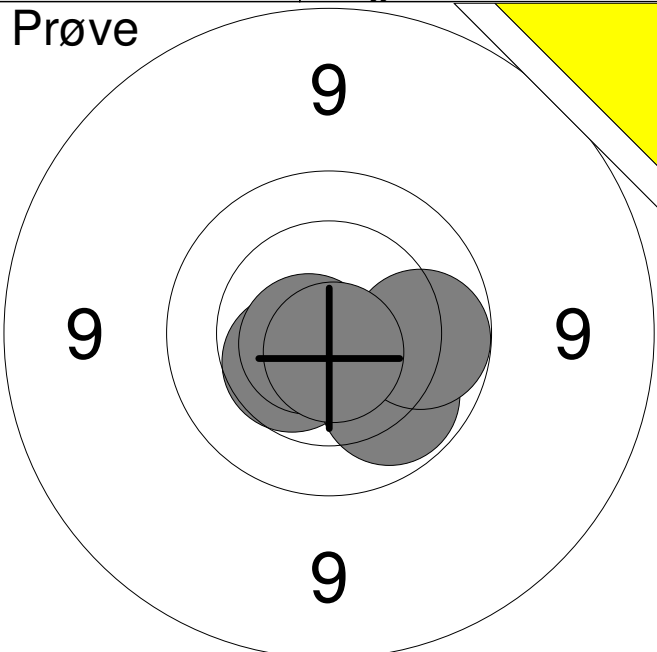
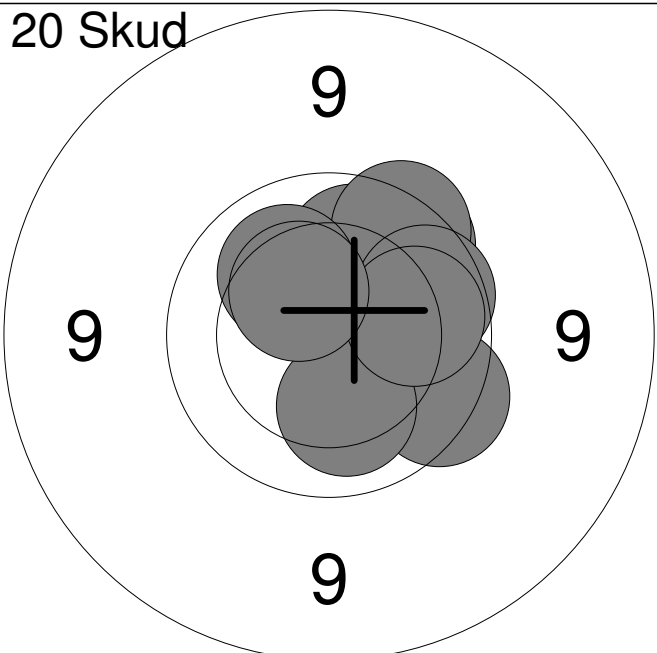
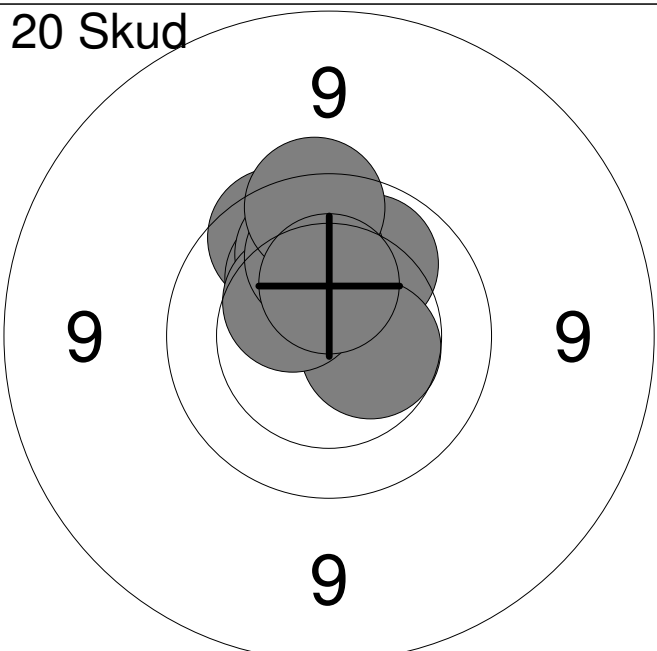
| | | |
|-----|---------------------|-----|
| 15m | Aalborg Skyttekreds | MÅ1 |
|-----|---------------------|-----|

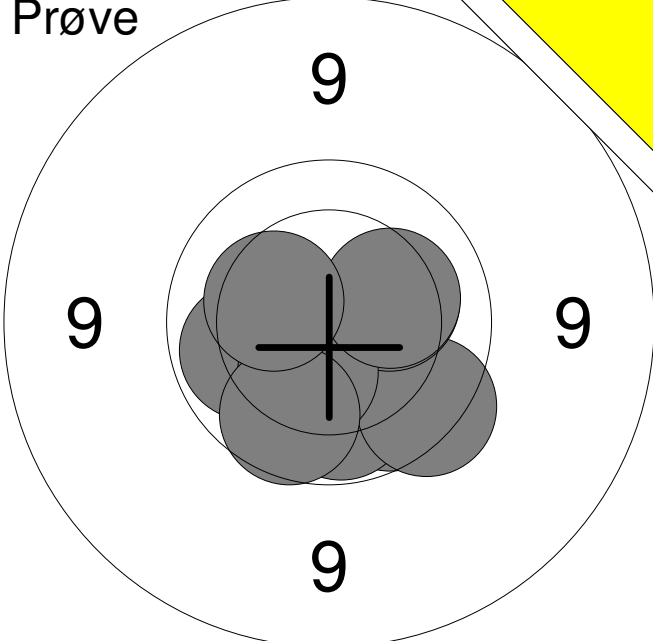
| | | |
|--|--------------------------|---------------------|
| | Nordjysk Mesterskab 2015 | Aalborg Skyttekreds |
|--|--------------------------|---------------------|

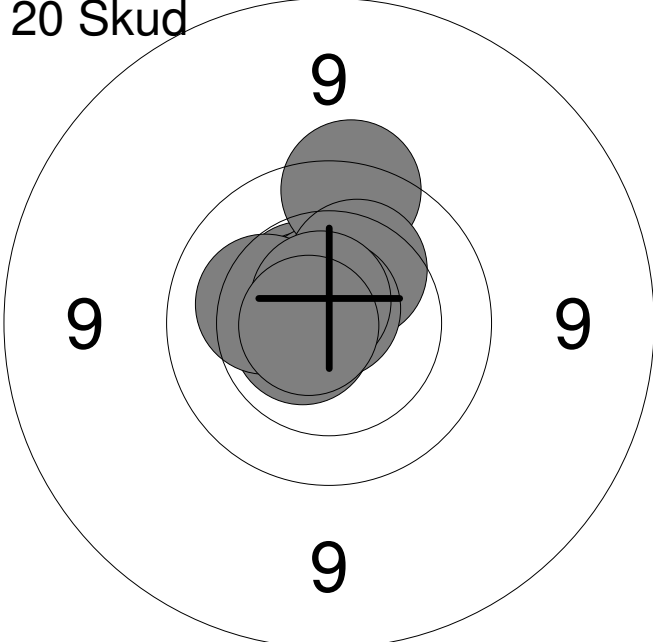
| | |
|--|-------------------|
| Prøve  | 1: 9.1 → |
| | 2: 10.6x ↙ |
| | 3: 10.3 ↓ |
| | 4: 10.3 ↓ |
| | 5: 10.8x → |
| | 6: 10.3 → |
| | 7: 10.8x → |
| | Serie 69.0 |
| Total 0.0 | |

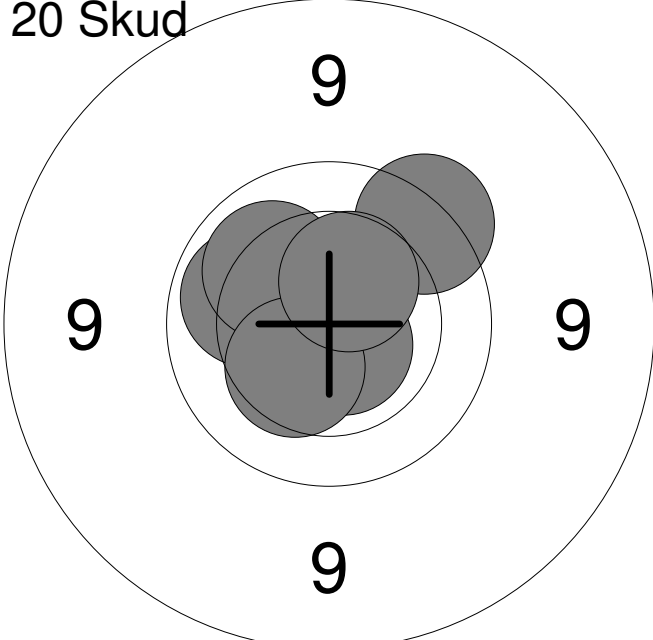
| | |
|---|--------------------|
| 20 Skud  | 1: 10.0 → |
| | 2: 10.4 → |
| | 3: 10.2 ↑ |
| | 4: 10.7x ↙ |
| | 5: 10.4 → |
| | 6: 10.1 ↑ |
| | 7: 10.7x ↓ |
| | 8: 10.7x → |
| | 9: 10.1 ↑ |
| | 10: 10.2 ↑ |
| | Serie 100.0 |
| Total 100.0 | |

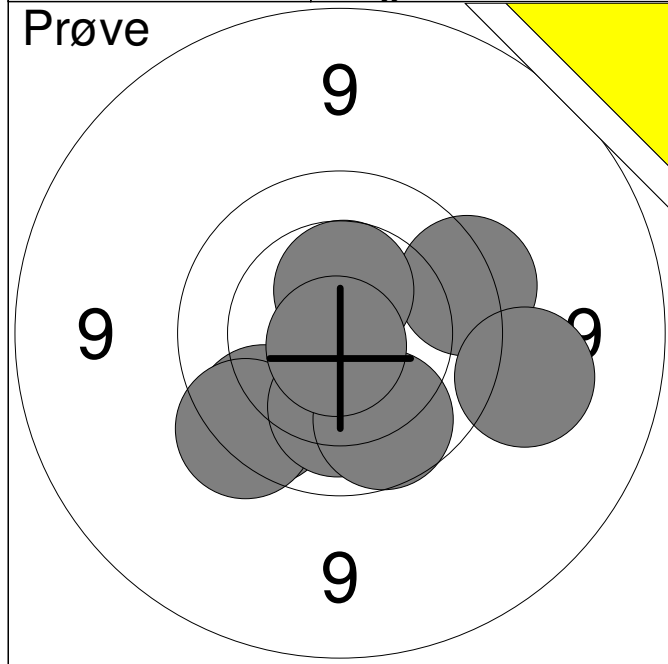
| | |
|--|--------------------|
| 20 Skud  | 11: 10.2 → |
| | 12: 10.1 → |
| | 13: 10.7x ↑ |
| | 14: 10.4 ↑ |
| | 15: 10.4 → |
| | 16: 10.9x ↙ |
| | 17: 10.4 → |
| | 18: 10.5 ↓ |
| | 19: 10.4 ↙ |
| | 20: 10.7x ↓ |
| | Serie 100.0 |
| Total 200.0 | |

| Hold | Skive | Christian Ottesen | |
|---------|--|-------------------|---------------------|
| 23 | 10 | Vadum Skf. | ÅK1 |
| 15m | Nordjysk Mesterskab 2015 | | Aalborg Skyttekreds |
| Prøve |  | 1: 10.4 | ↙ |
| | | 2: 10.0 | ↘ |
| | | 3: 10.0 | → |
| | | 4: 10.7x | ↙ |
| | | 5: 10.7x | ↘ |
| | | Serie | 50.0 |
| | | Total | 0.0 |
| 20 Skud |  | 1: 10.3 | → |
| | | 2: 9.8 | ↗ |
| | | 3: 9.7 | ↘ |
| | | 4: 10.0 | ↑ |
| | | 5: 9.7 | ↗ |
| | | 6: 9.9 | → |
| | | 7: 10.2 | ↘ |
| | | 8: 10.2 | ↗ |
| | | 9: 10.0 | → |
| | | 10: 10.4 | ↗ |
| | | Serie | 96.0 |
| | | Total | 96.0 |
| 20 Skud |  | 11: 9.8 | ↗ |
| | | 12: 10.2 | ↗ |
| | | 13: 10.2 | ↗ |
| | | 14: 10.1 | ↗ |
| | | 15: 10.0 | ↗ |
| | | 16: 10.5 | ↘ |
| | | 17: 10.4 | ↗ |
| | | 18: 10.1 | ↗ |
| | | 19: 9.7 | ↗ |
| | | 20: 10.4 | ↗ |
| | | Serie | 98.0 |
| | | Total | 194.0 |

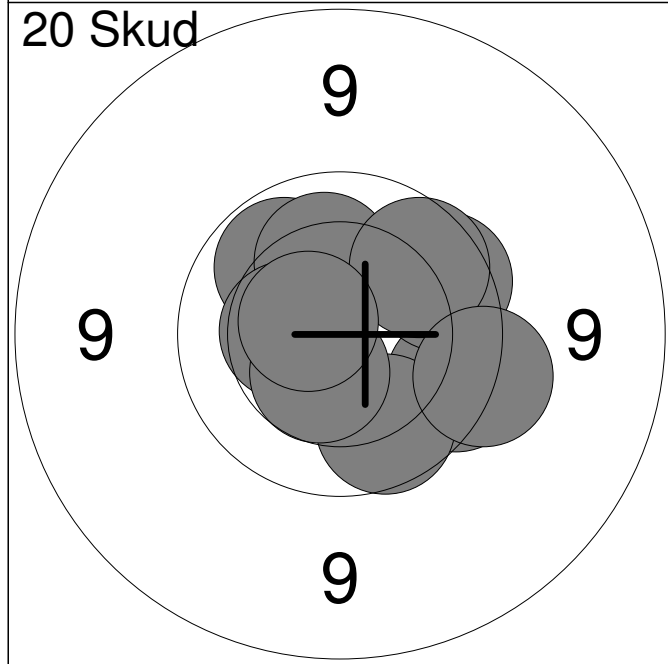
| | | | |
|--|--------------|------------|-------------|
| Prøve  | 1: | 10.0 | ← |
| | 2: | 9.9 | ↘ |
| | 3: | 10.0 | ↓ |
| | 4: | 9.7 | ↘ |
| | 5: | 10.3 | → |
| | 6: | 10.4 | ↓ |
| | 7: | 9.9 | ↓ |
| | 8: | 10.2 | → |
| | 9: | 10.3 | ← |
| | Serie | | 87.0 |
| Total | | 0.0 | |

| | | | |
|---|-----|-------------|---|
| 20 Skud  | 1: | 10.6x | ← |
| | 2: | 10.5x | ↗ |
| | 3: | 10.6x | ↗ |
| | 4: | 10.6x | ↑ |
| | 5: | 10.2 | ← |
| | 6: | 9.7 | ↑ |
| | 7: | 10.3 | ↗ |
| | 8: | 10.8x | ↑ |
| | 9: | 10.7x | ↑ |
| | 10: | 10.7x | ← |
| Serie | | 99.0 | |
| Total | | 99.0 | |

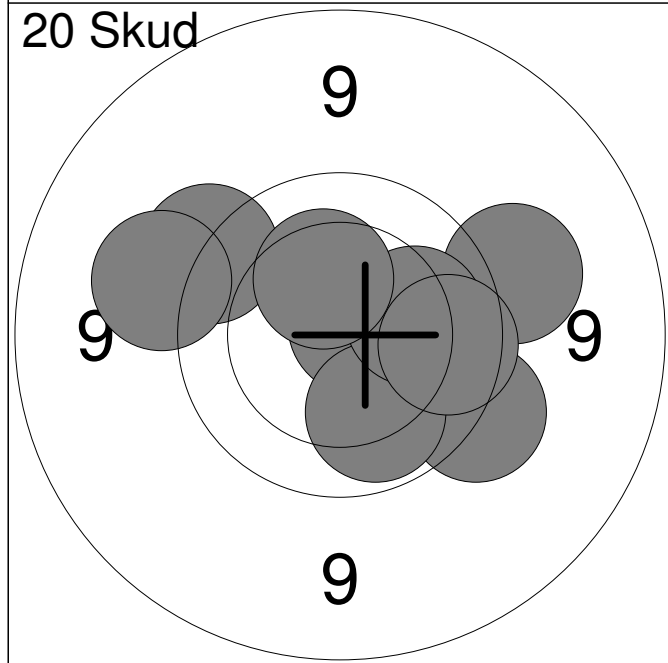
| | | | |
|--|-----|--------------|---|
| 20 Skud  | 11: | 10.8x | ↑ |
| | 12: | 10.3 | ← |
| | 13: | 10.7x | ↘ |
| | 14: | 10.1 | ↗ |
| | 15: | 10.6x | ↗ |
| | 16: | 10.6x | ↗ |
| | 17: | 10.1 | ↗ |
| | 18: | 9.7 | ↗ |
| | 19: | 10.4 | ↘ |
| | 20: | 10.4 | ↑ |
| Serie | | 99.0 | |
| Total | | 198.0 | |



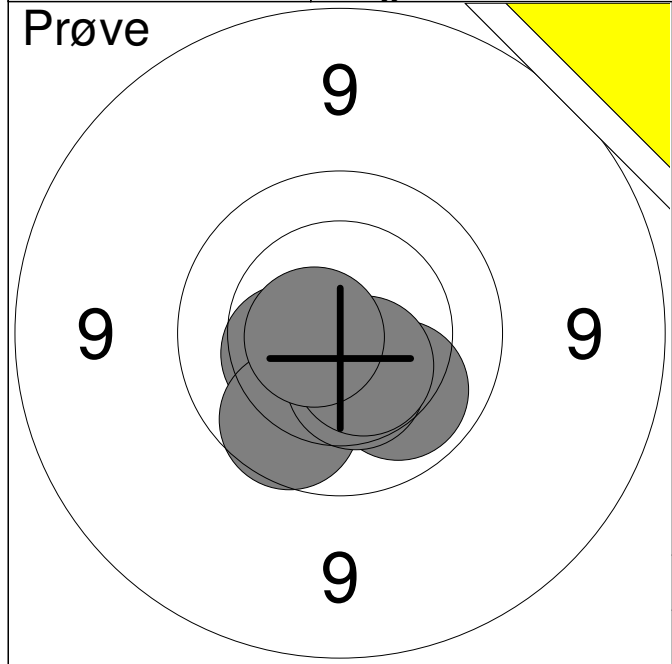
| | | |
|--------------|-------|-------------|
| 1: | 9.7 | → |
| 2: | 9.4 | → |
| 3: | 9.8 | ↙ |
| 4: | 9.7 | ↙ |
| 5: | 10.2 | ↓ |
| 6: | 9.9 | ↘ |
| 7: | 10.5 | ↑ |
| 8: | 10.8x | ↘ |
| Serie | | 75.0 |
| Total | | 0.0 |



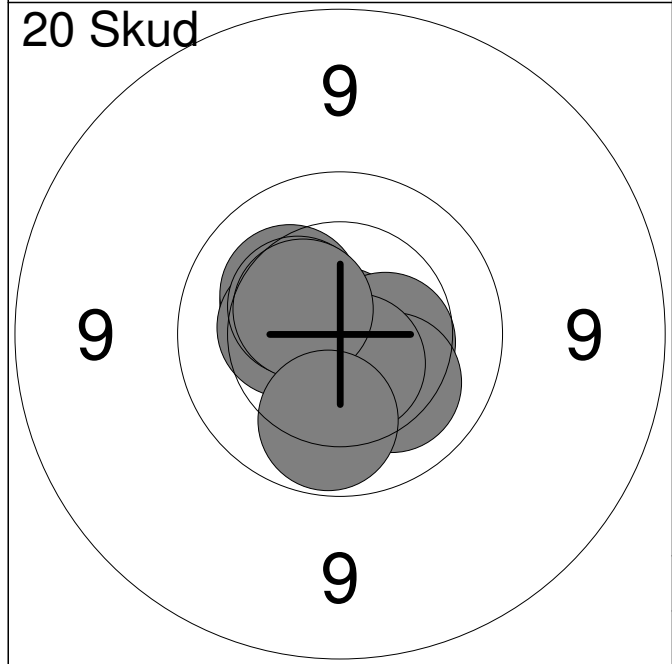
| | | |
|--------------|-------|-------------|
| 1: | 10.0 | ↗ |
| 2: | 10.2 | ↑ |
| 3: | 9.7 | → |
| 4: | 9.9 | ↘ |
| 5: | 10.4 | ← |
| 6: | 9.8 | → |
| 7: | 10.5 | ↘ |
| 8: | 9.9 | ↗ |
| 9: | 9.6 | → |
| 10: | 10.6x | ↖ |
| Serie | | 95.0 |
| Total | | 95.0 |



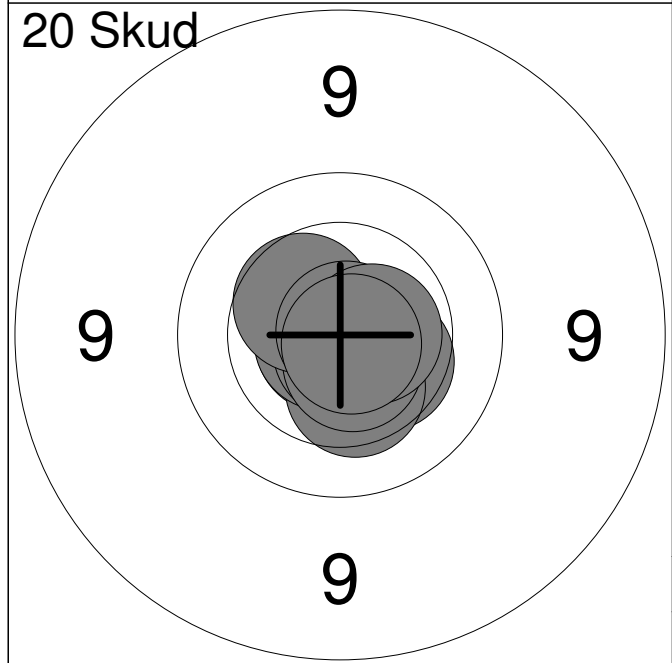
| | | |
|--------------|-------|--------------|
| 11: | 9.6 | ↘ |
| 12: | 10.2 | → |
| 13: | 9.6 | ↗ |
| 14: | 10.7x | → |
| 15: | 10.0 | ↘ |
| 16: | 9.4 | → |
| 17: | 10.1 | → |
| 18: | 9.4 | ← |
| 19: | 9.9 | → |
| 20: | 10.3 | ↑ |
| Serie | | 95.0 |
| Total | | 190.0 |



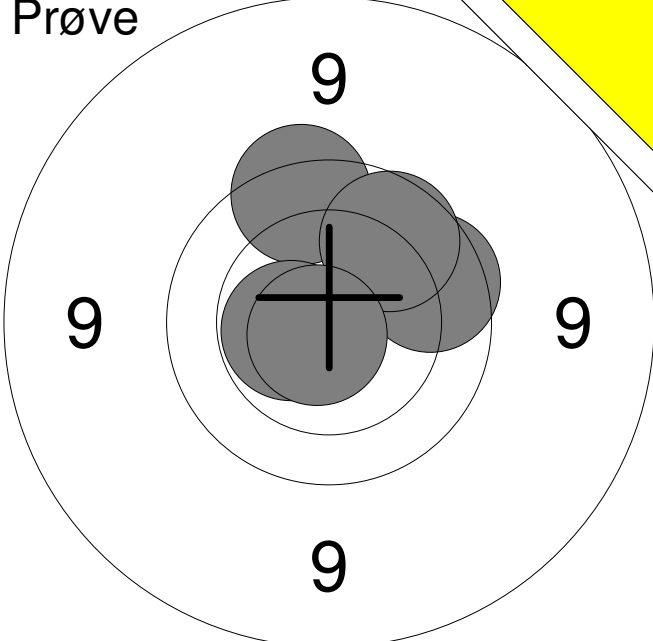
| | | |
|--------------|-------|-------------|
| 1: | 10.4 | ↙ |
| 2: | 9.9 | ↘ |
| 3: | 10.1 | ↘ |
| 4: | 10.4 | ↘ |
| 5: | 10.5x | ↘ |
| 6: | 10.7x | ↙ |
| Serie | | 59.0 |
| Total | | 0.0 |

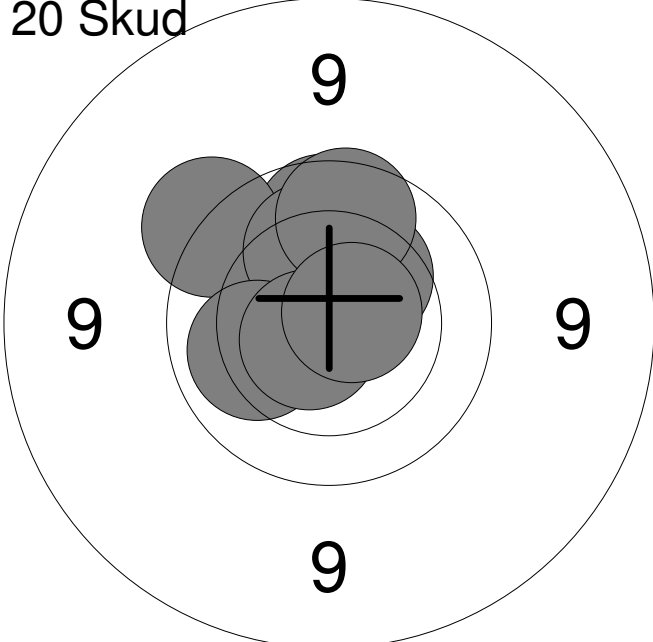


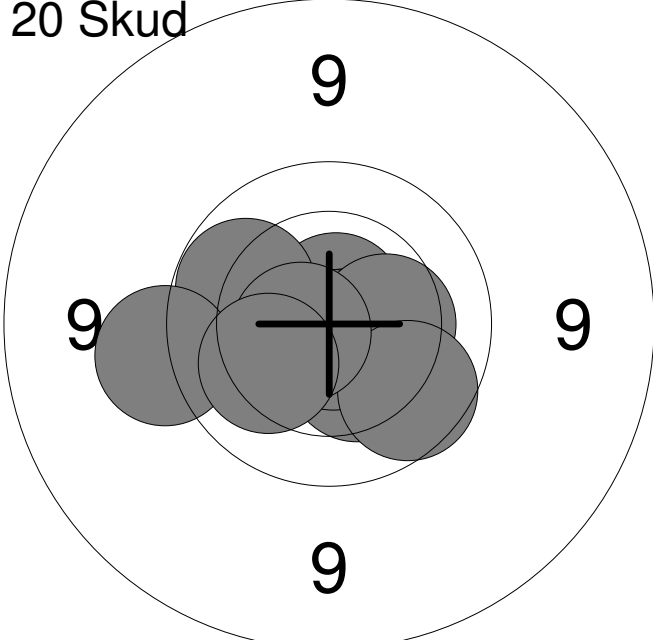
| | | |
|--------------|-------|--------------|
| 1: | 10.3 | ↗ |
| 2: | 10.3 | ↗ |
| 3: | 10.9x | ↘ |
| 4: | 10.5 | → |
| 5: | 10.2 | ↘ |
| 6: | 10.4 | ↗ |
| 7: | 10.4 | ↗ |
| 8: | 10.6x | ↘ |
| 9: | 10.5 | ↗ |
| 10: | 10.0 | ↘ |
| Serie | | 100.0 |
| Total | | 100.0 |

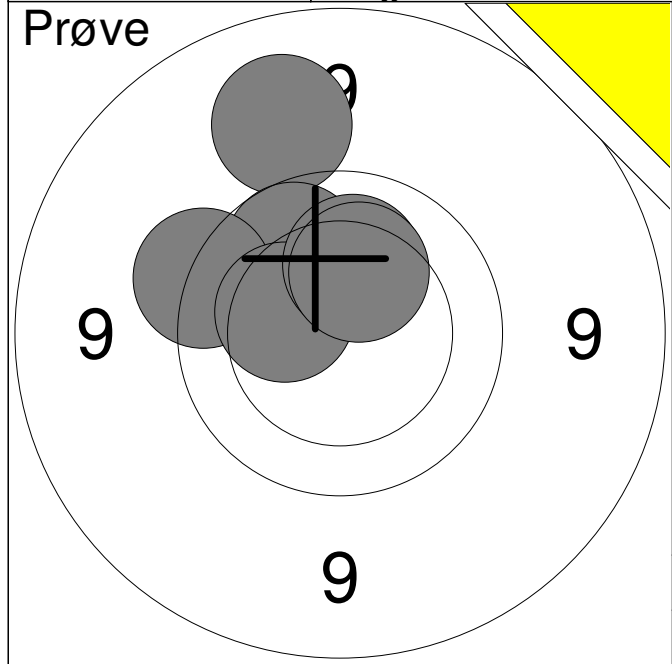


| | | |
|--------------|-------|--------------|
| 11: | 10.4 | ↘ |
| 12: | 10.8x | ↙ |
| 13: | 10.4 | ↘ |
| 14: | 10.8x | ↙ |
| 15: | 10.8x | ↘ |
| 16: | 10.6x | ↘ |
| 17: | 10.4 | ↗ |
| 18: | 10.9x | ↗ |
| 19: | 10.6x | → |
| 20: | 10.8x | ↘ |
| Serie | | 100.0 |
| Total | | 200.0 |

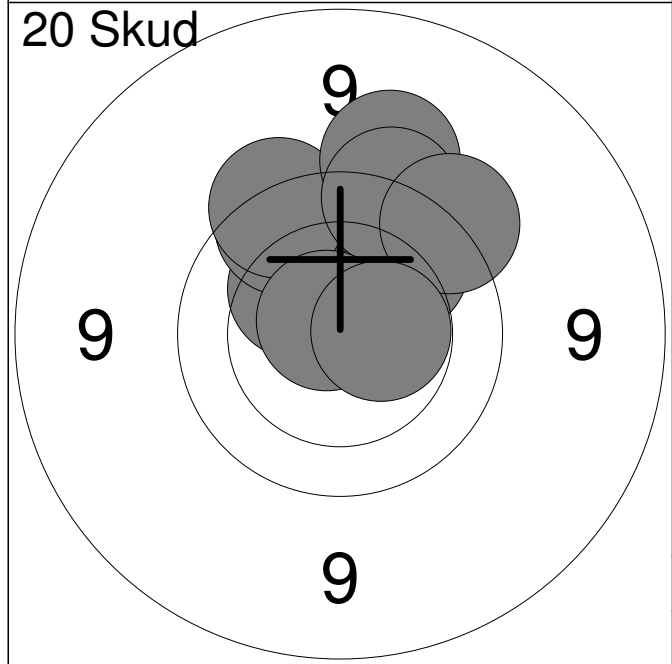
| | | | |
|--|--------------|------------|-------------|
| Prøve  | 1: | 9.7 | ↑ |
| | 2: | 9.8 | → |
| | 3: | 9.9 | ↗ |
| | 4: | 10.5x | ← |
| | 5: | 10.8x | ↙ |
| | Serie | | 47.0 |
| Total | | 0.0 | |

| | | | |
|---|--------------|-------------|-------------|
| 20 Skud  | 1: | 9.9 | ↑ |
| | 2: | 10.6x | ↖ |
| | 3: | 10.5 | ↑ |
| | 4: | 10.3 | ↗ |
| | 5: | 9.6 | ↖ |
| | 6: | 10.2 | ↑ |
| | 7: | 9.9 | ↑ |
| | 8: | 10.1 | ← |
| | 9: | 10.7x | ↙ |
| | 10: | 10.7x | → |
| | Serie | | 97.0 |
| Total | | 97.0 | |

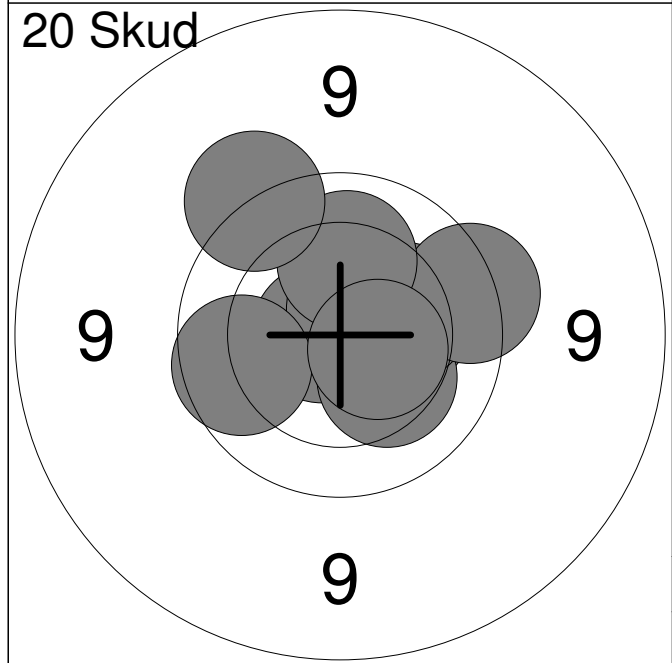
| | | | |
|--|--------------|--------------|-------------|
| 20 Skud  | 11: | 10.7x | ↑ |
| | 12: | 10.4 | ↘ |
| | 13: | 10.7x | ↘ |
| | 14: | 10.8x | ↘ |
| | 15: | 10.0 | ↗ |
| | 16: | 10.3 | → |
| | 17: | 9.9 | ↘ |
| | 18: | 10.6x | ← |
| | 19: | 9.5 | ← |
| | 20: | 10.2 | ↙ |
| | Serie | | 98.0 |
| Total | | 195.0 | |



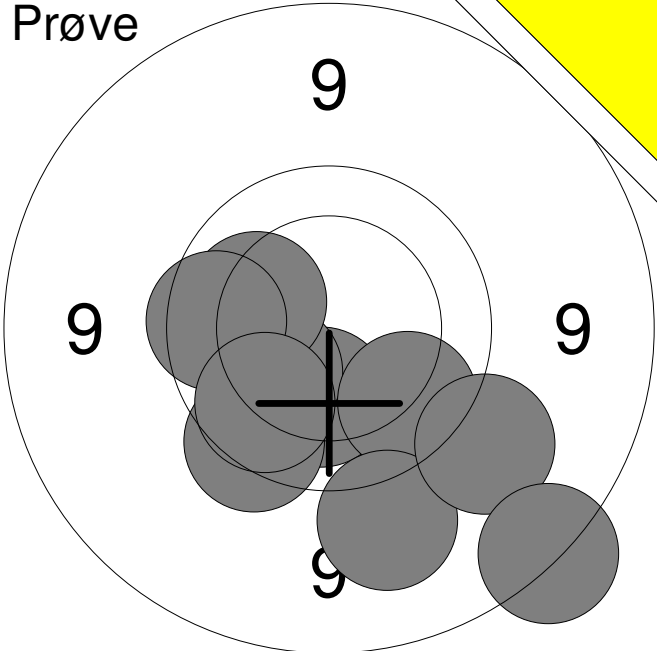
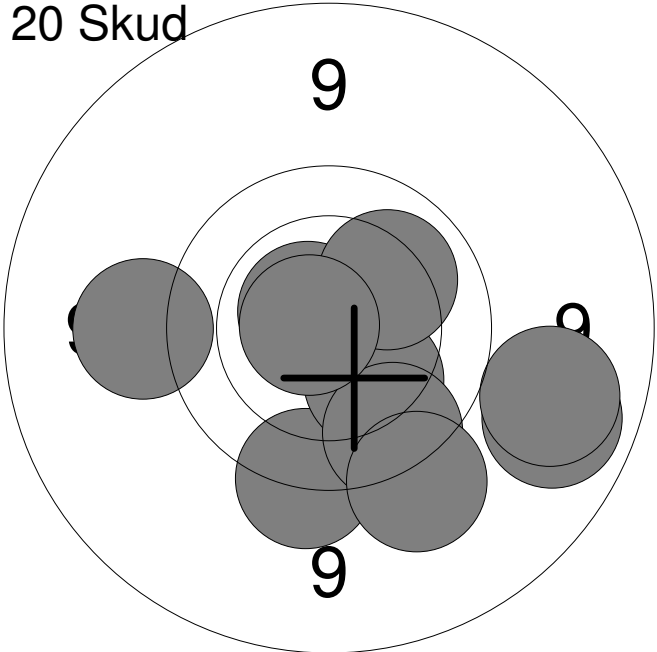
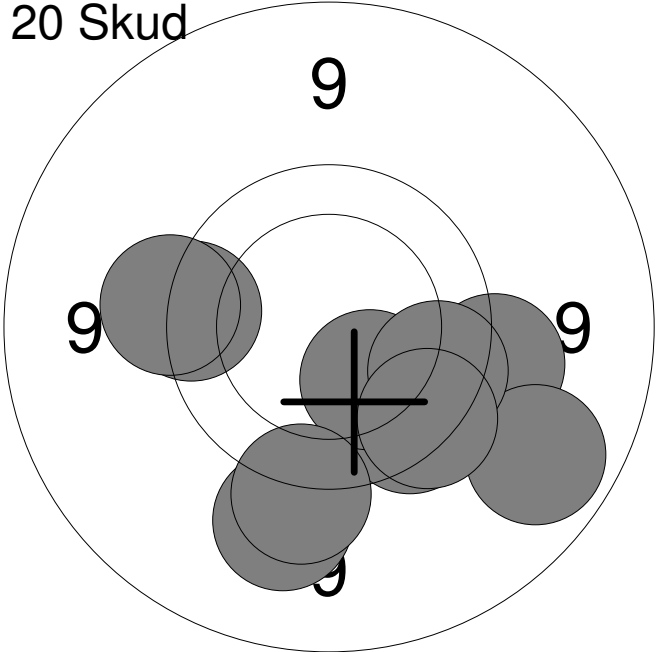
| | | |
|--------------|------|-------------|
| 1: | 9.2 | ↑ |
| 2: | 9.9 | ↑ |
| 3: | 9.6 | ↔ |
| 4: | 10.3 | ↔ |
| 5: | 10.2 | ↑ |
| 6: | 10.3 | ↑ |
| Serie | | 57.0 |
| Total | | 0.0 |

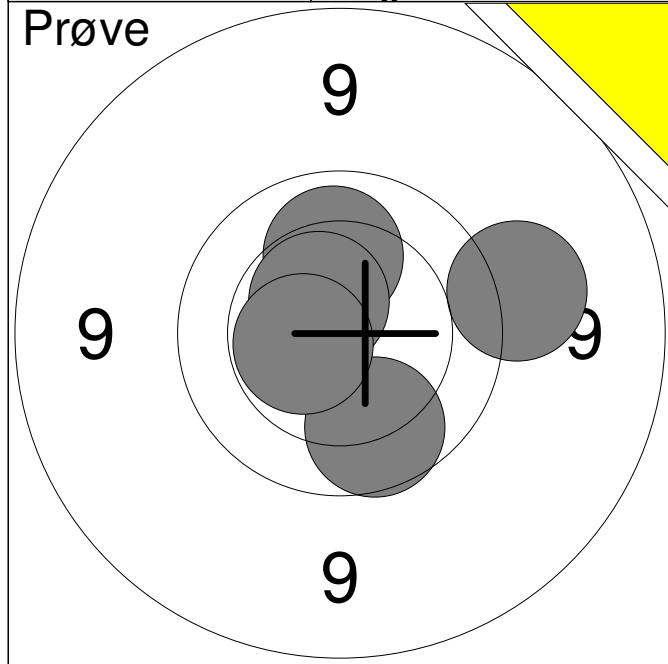


| | | |
|--------------|-------|-------------|
| 1: | 10.0 | ↗ |
| 2: | 10.3 | ↗ |
| 3: | 9.8 | ↗ |
| 4: | 9.7 | ↗ |
| 5: | 9.4 | ↑ |
| 6: | 10.7x | ↗ |
| 7: | 9.6 | ↑ |
| 8: | 9.6 | ↗ |
| 9: | 10.7x | ↗ |
| 10: | 10.5x | → |
| Serie | | 95.0 |
| Total | | 95.0 |

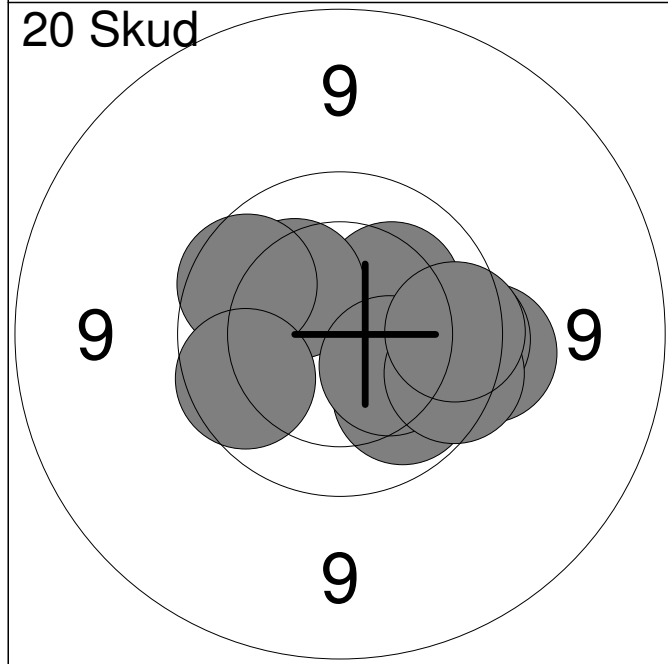


| | | |
|--------------|-------|--------------|
| 11: | 10.8x | ← |
| 12: | 10.2 | → |
| 13: | 10.6x | ↗ |
| 14: | 9.9 | ← |
| 15: | 10.3 | ↘ |
| 16: | 10.2 | → |
| 17: | 9.7 | → |
| 18: | 10.1 | ↑ |
| 19: | 9.5 | ↗ |
| 20: | 10.5x | ↘ |
| Serie | | 97.0 |
| Total | | 192.0 |

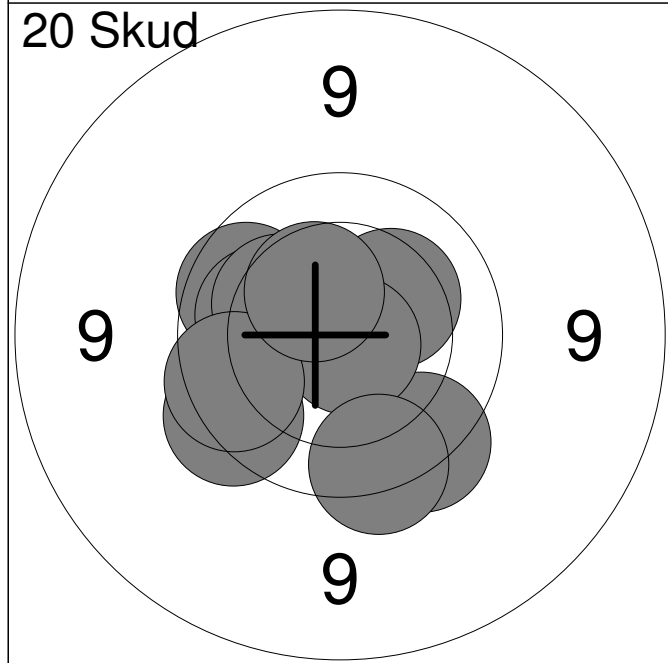
| Hold | Skive | Svend Peter Larsen | |
|---|-------|-------------------------------|---------------------|
| 24 | 4 | | |
| 15m | | Sæby og Omegns Skytteforening | MV2 |
| | | Nordjysk Mesterskab 2015 | Aalborg Skyttekreds |
| Prøve  | 1: | 10.2 | ↓ |
| | 2: | 10.2 | ↙ |
| | 3: | 9.7 | ↘ |
| | 4: | 10.1 | ↗ |
| | 5: | 9.8 | ← |
| | 6: | 9.9 | ↘ |
| | 7: | 9.9 | ↘ |
| | 8: | 9.3 | ↘ |
| | 9: | 9.3 | ↘ |
| | 10: | 8.7 | ↘ |
| | Serie | | 92.0 |
| Total | | 0.0 | |
| 20 Skud  | 1: | 10.7x | ↗ |
| | 2: | 9.6 | ↓ |
| | 3: | 10.2 | ↘ |
| | 4: | 9.8 | ↘ |
| | 5: | 9.4 | ← |
| | 6: | 9.0 | ↘ |
| | 7: | 10.1 | ↗ |
| | 8: | 10.7x | ← |
| | 9: | 9.4 | ↘ |
| | 10: | 9.1 | ↘ |
| | Serie | | 94.0 |
| Total | | 94.0 | |
| 20 Skud  | 11: | 9.7 | ↘ |
| | 12: | 9.5 | → |
| | 13: | 10.2 | ↘ |
| | 14: | 9.0 | ↘ |
| | 15: | 9.3 | ↘ |
| | 16: | 9.8 | ↘ |
| | 17: | 9.5 | ↘ |
| | 18: | 9.7 | ↘ |
| | 19: | 9.7 | ← |
| | 20: | 9.5 | ← |
| | Serie | | 91.0 |
| Total | | 185.0 | |



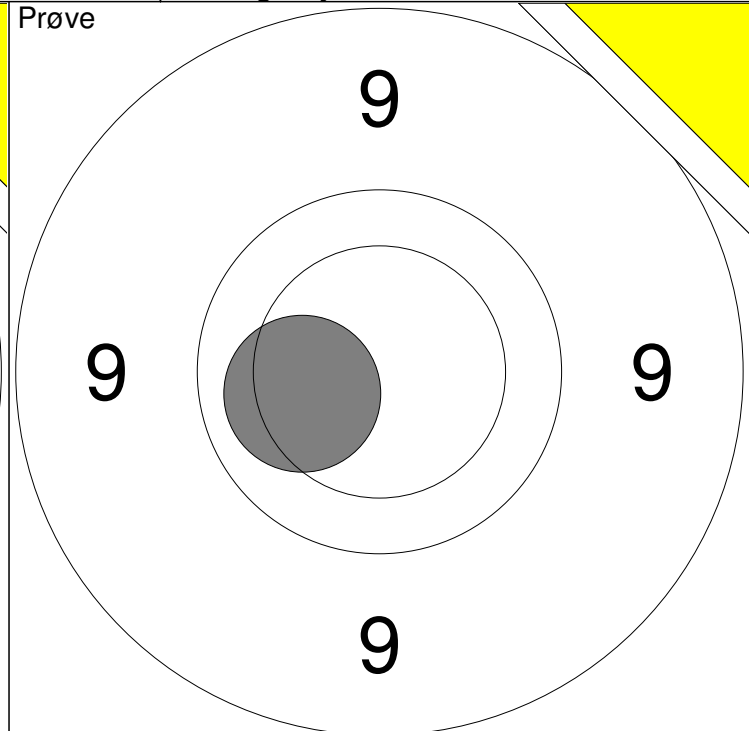
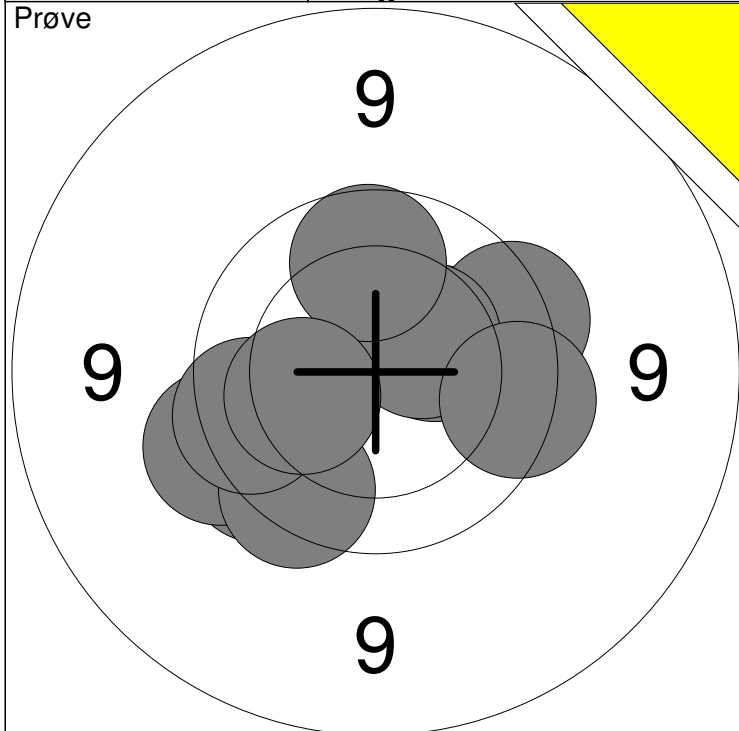
| | | |
|--------------|-------|-------------|
| 1: | 9.9 | ↓ |
| 2: | 10.1 | ↑ |
| 3: | 10.5x | ↗ |
| 4: | 9.4 | → |
| 5: | 10.5x | ← |
| Serie | | 48.0 |
| Total | | 0.0 |



| | | |
|--------------|------|-------------|
| 1: | 9.6 | → |
| 2: | 10.2 | ↗ |
| 3: | 10.3 | ↗ |
| 4: | 10.0 | ↓ |
| 5: | 10.3 | ↓ |
| 6: | 9.9 | ↗ |
| 7: | 9.8 | → |
| 8: | 9.8 | → |
| 9: | 9.8 | → |
| 10: | 9.9 | ↙ |
| Serie | | 94.0 |
| Total | | 94.0 |

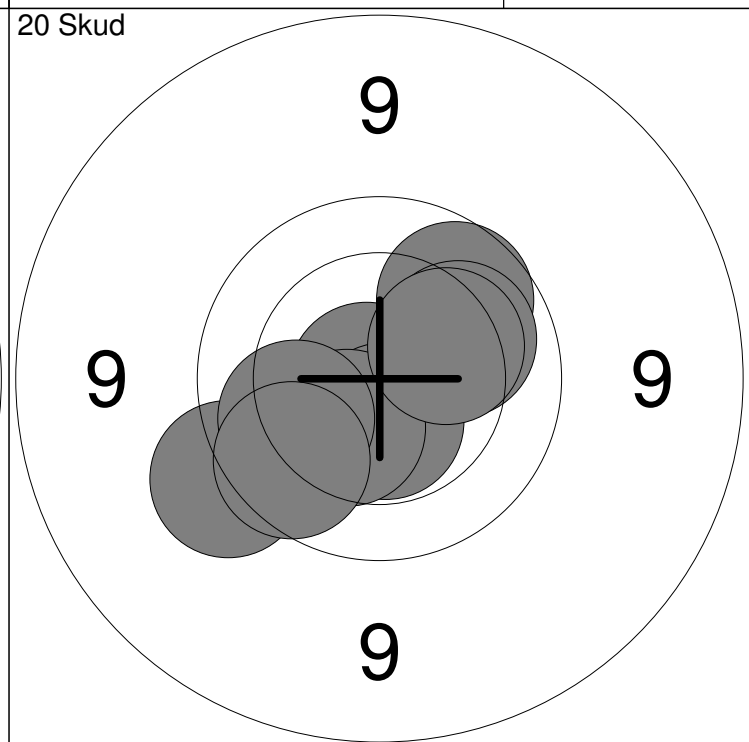
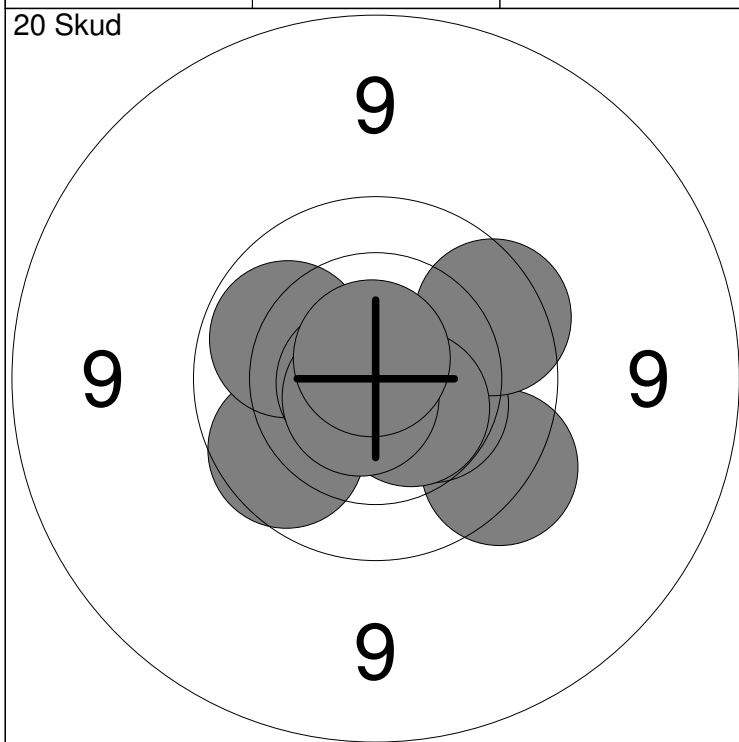


| | | |
|--------------|-------|--------------|
| 11: | 9.9 | ↗ |
| 12: | 10.1 | ↗ |
| 13: | 9.7 | ↓ |
| 14: | 10.2 | ↗ |
| 15: | 9.7 | ↙ |
| 16: | 10.3 | ↗ |
| 17: | 10.8x | ↓ |
| 18: | 9.8 | ↙ |
| 19: | 10.4 | ↗ |
| 20: | 9.7 | ↓ |
| Serie | | 95.0 |
| Total | | 189.0 |



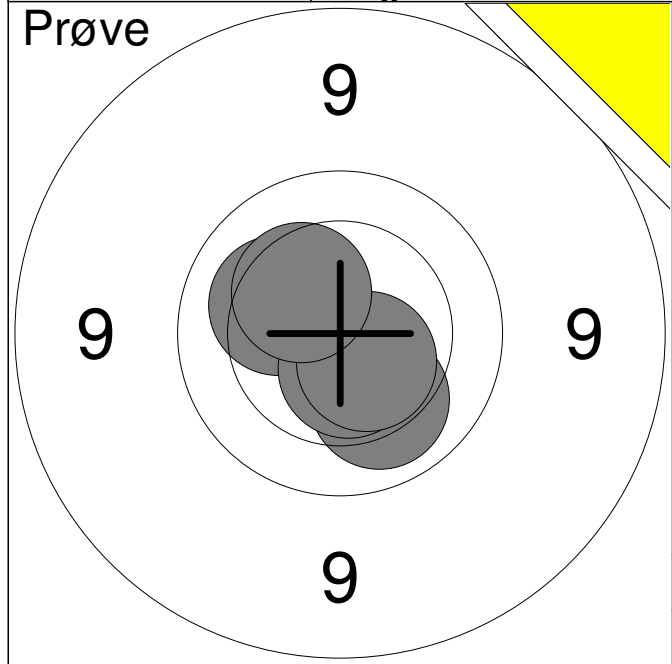
| | | | |
|-----------|------------|-------|----|
| 1: 9.7 ↙ | 6: 9.7 → | Serie | 93 |
| 2: 9.6 ↙ | 7: 10.4 ↗ | | |
| 3: 10.3 ↗ | 8: 9.7 → | Total | 0 |
| 4: 9.7 ↘ | 9: 9.9 ↑ | | |
| 5: 9.8 ↙ | 10: 10.2 ↙ | | |

| | | |
|------------|-------|----|
| 11: 10.2 ↙ | Serie | 10 |
| | | |
| | Total | 0 |
| | | |

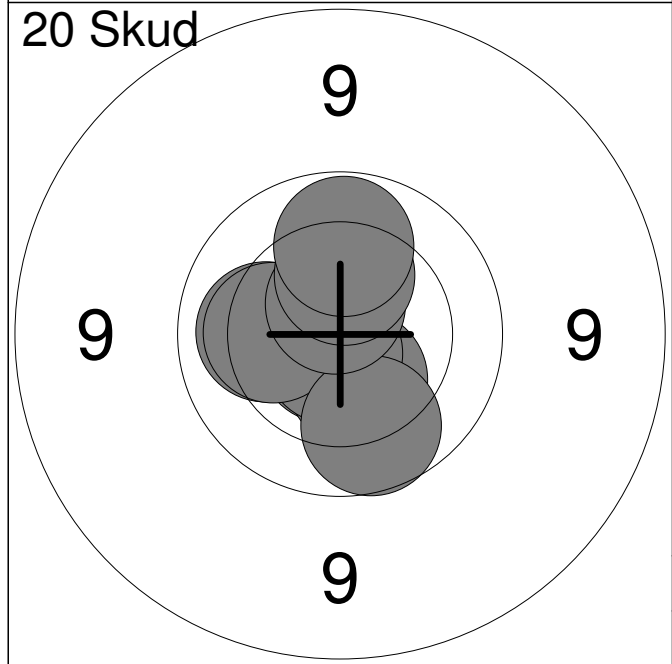


| | | | |
|------------|-------------|-------|----|
| 1: 9.7 ↘ | 6: 9.8 ↗ | Serie | 97 |
| 2: 10.6x ↘ | 7: 10.7x ↙ | | |
| 3: 10.4 ↘ | 8: 10.5x ↘ | Total | 97 |
| 4: 9.9 ↙ | 9: 10.7x ↙ | | |
| 5: 10.0 ↙ | 10: 10.7x ↑ | | |

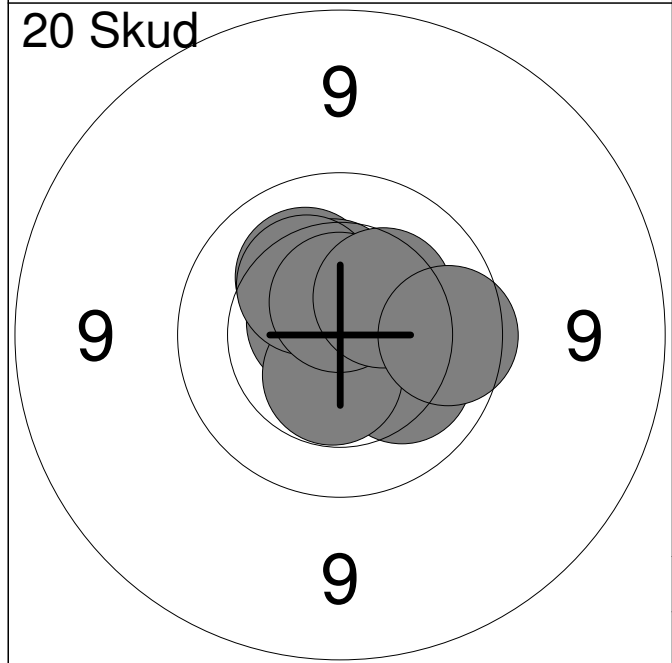
| | | | |
|-------------|-------------|-------|-----|
| 11: 9.9 ↗ | 16: 10.5x ↘ | Serie | 97 |
| 12: 10.7x ↙ | 17: 10.4 ↘ | | |
| 13: 10.1 ↗ | 18: 10.2 ↗ | Total | 194 |
| 14: 9.5 ↙ | 19: 10.1 ↙ | | |
| 15: 10.8x ↙ | 20: 9.9 ↘ | | |



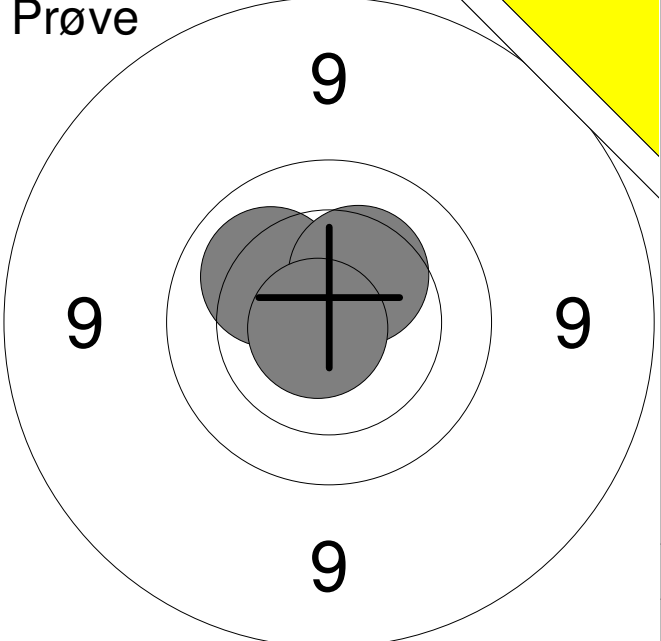
| | | |
|--------------|-------|-------------|
| 1: | 10.1 | ↘ |
| 2: | 10.2 | ↗ |
| 3: | 10.6x | ↘ |
| 4: | 10.5x | ↘ |
| 5: | 10.3 | ↗ |
| Serie | | 50.0 |
| Total | | 0.0 |



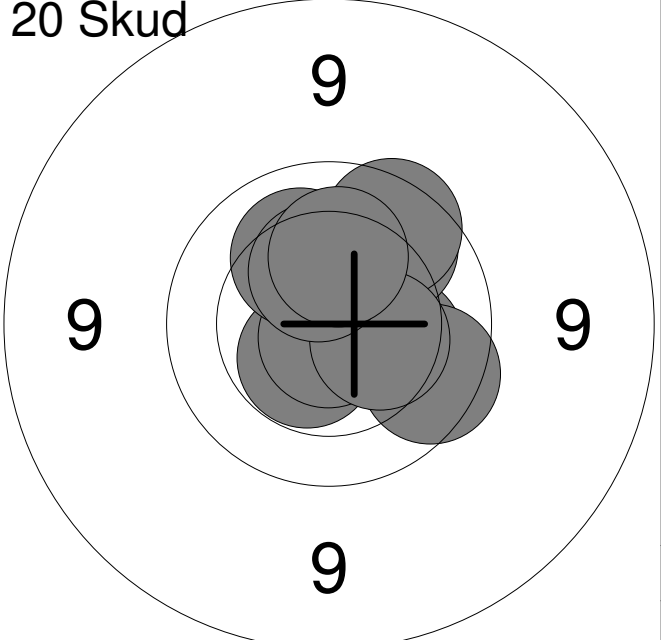
| | | |
|--------------|-------|-------------|
| 1: | 10.7x | ↘ |
| 2: | 10.1 | ← |
| 3: | 10.4 | ↘ |
| 4: | 10.7x | ← |
| 5: | 10.7x | ↘ |
| 6: | 10.2 | ← |
| 7: | 9.9 | ↘ |
| 8: | 10.6x | ↑ |
| 9: | 10.3 | ↑ |
| 10: | 10.0 | ↑ |
| Serie | | 99.0 |
| Total | | 99.0 |

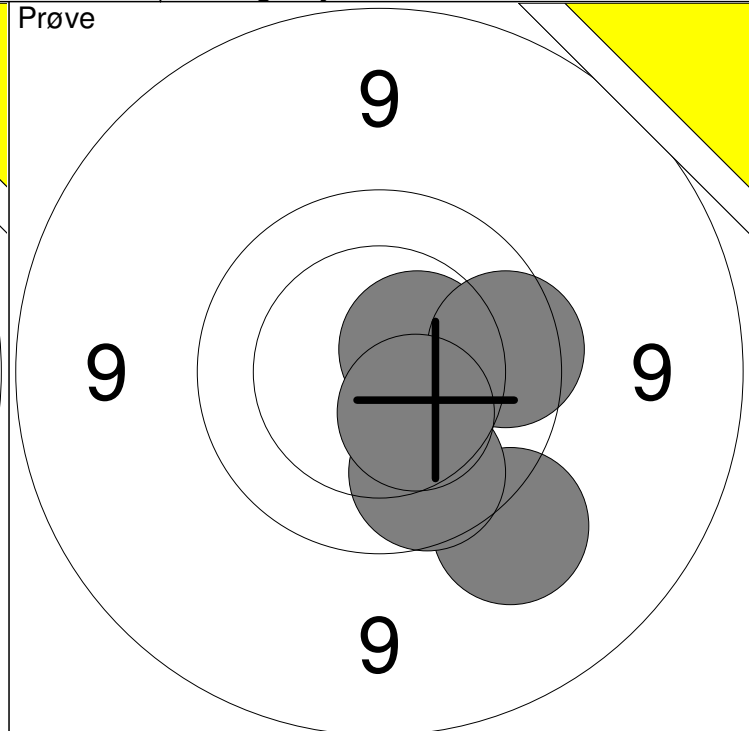
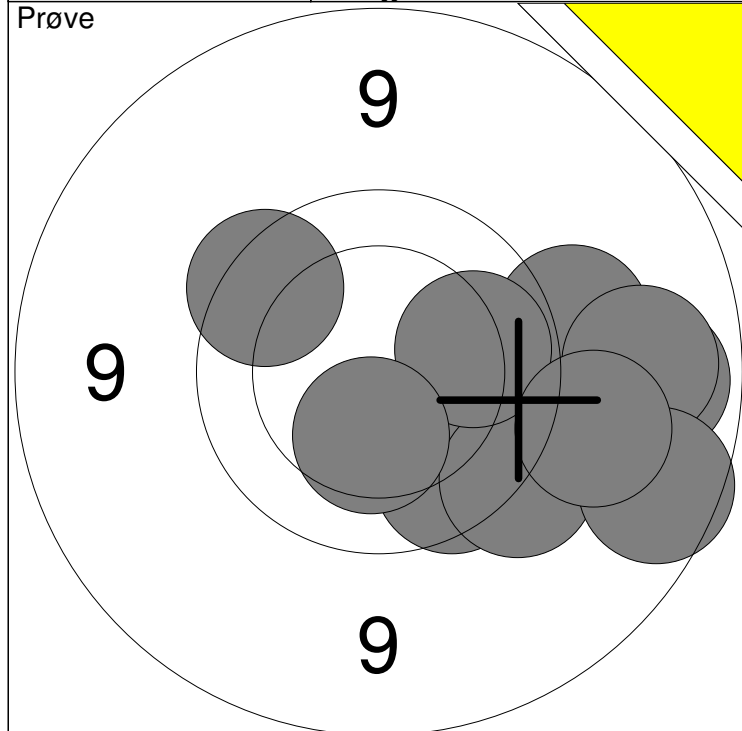


| | | |
|--------------|-------|--------------|
| 11: | 10.2 | ↗ |
| 12: | 10.7x | ↗ |
| 13: | 10.2 | ↘ |
| 14: | 10.4 | ↑ |
| 15: | 10.5x | ↗ |
| 16: | 10.5x | ↘ |
| 17: | 10.3 | ↗ |
| 18: | 10.6x | ↑ |
| 19: | 10.3 | ↗ |
| 20: | 9.9 | → |
| Serie | | 99.0 |
| Total | | 198.0 |

| | | | | | | | | | | |
|--|---|----|------|---|----|------|---|----|-------|---|
| <p>Prøve</p>  | <table style="width:100%;"> <tr><td style="width:10%;">1:</td><td style="width:15%;">10.2</td><td style="width:10%; text-align: right;">↗</td></tr> <tr><td>2:</td><td>10.4</td><td style="text-align: right;">↗</td></tr> <tr><td>3:</td><td>10.8x</td><td style="text-align: right;">↙</td></tr> </table> | 1: | 10.2 | ↗ | 2: | 10.4 | ↗ | 3: | 10.8x | ↙ |
| 1: | 10.2 | ↗ | | | | | | | | |
| 2: | 10.4 | ↗ | | | | | | | | |
| 3: | 10.8x | ↙ | | | | | | | | |
| | Serie 30.0 | | | | | | | | | |
| | Total 0.0 | | | | | | | | | |

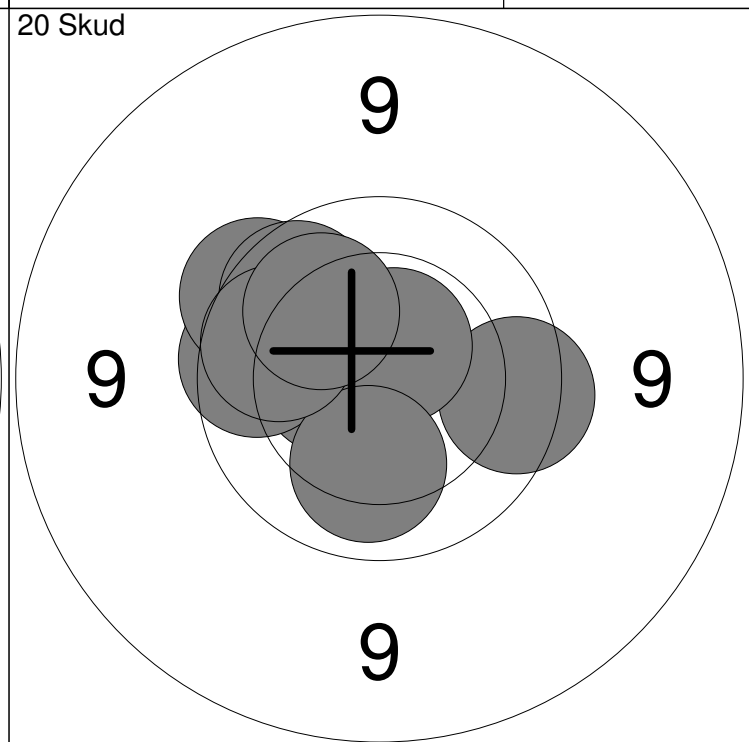
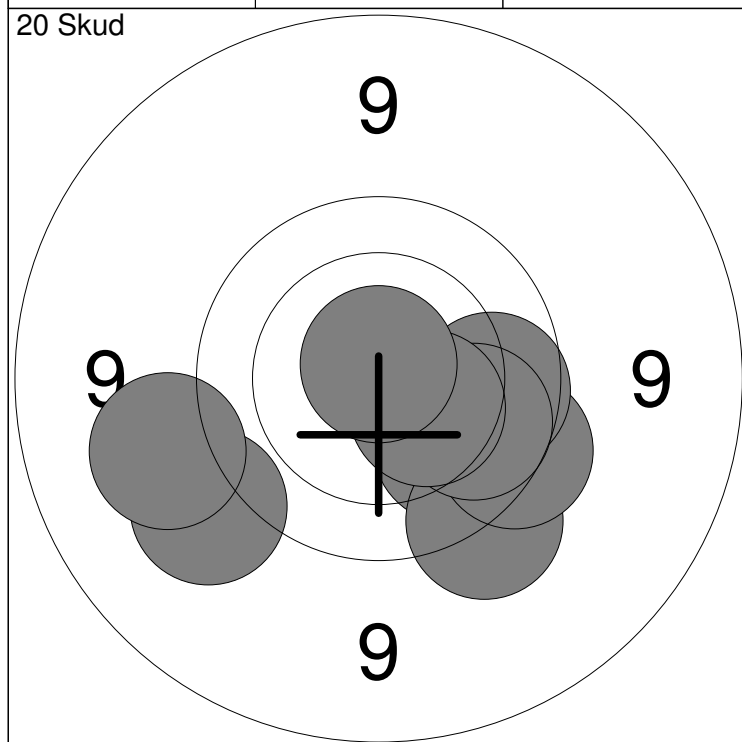
| | | | | | | | | | | | | | | | | | | | | | | | | | | | | | | | |
|---|---|----|-------|---|----|------|---|----|-----|---|----|------|---|----|------|---|----|------|---|----|-----|---|----|-----|---|----|------|---|-----|-----|---|
| <p>20 Skud</p>  | <table style="width:100%;"> <tr><td style="width:10%;">1:</td><td style="width:15%;">10.7x</td><td style="width:10%; text-align: right;">↓</td></tr> <tr><td>2:</td><td>10.4</td><td style="text-align: right;">←</td></tr> <tr><td>3:</td><td>9.6</td><td style="text-align: right;">→</td></tr> <tr><td>4:</td><td>10.4</td><td style="text-align: right;">→</td></tr> <tr><td>5:</td><td>10.1</td><td style="text-align: right;">→</td></tr> <tr><td>6:</td><td>10.5</td><td style="text-align: right;">←</td></tr> <tr><td>7:</td><td>9.9</td><td style="text-align: right;">↙</td></tr> <tr><td>8:</td><td>9.8</td><td style="text-align: right;">↓</td></tr> <tr><td>9:</td><td>10.4</td><td style="text-align: right;">↗</td></tr> <tr><td>10:</td><td>9.9</td><td style="text-align: right;">↘</td></tr> </table> | 1: | 10.7x | ↓ | 2: | 10.4 | ← | 3: | 9.6 | → | 4: | 10.4 | → | 5: | 10.1 | → | 6: | 10.5 | ← | 7: | 9.9 | ↙ | 8: | 9.8 | ↓ | 9: | 10.4 | ↗ | 10: | 9.9 | ↘ |
| 1: | 10.7x | ↓ | | | | | | | | | | | | | | | | | | | | | | | | | | | | | |
| 2: | 10.4 | ← | | | | | | | | | | | | | | | | | | | | | | | | | | | | | |
| 3: | 9.6 | → | | | | | | | | | | | | | | | | | | | | | | | | | | | | | |
| 4: | 10.4 | → | | | | | | | | | | | | | | | | | | | | | | | | | | | | | |
| 5: | 10.1 | → | | | | | | | | | | | | | | | | | | | | | | | | | | | | | |
| 6: | 10.5 | ← | | | | | | | | | | | | | | | | | | | | | | | | | | | | | |
| 7: | 9.9 | ↙ | | | | | | | | | | | | | | | | | | | | | | | | | | | | | |
| 8: | 9.8 | ↓ | | | | | | | | | | | | | | | | | | | | | | | | | | | | | |
| 9: | 10.4 | ↗ | | | | | | | | | | | | | | | | | | | | | | | | | | | | | |
| 10: | 9.9 | ↘ | | | | | | | | | | | | | | | | | | | | | | | | | | | | | |
| | Serie 96.0 | | | | | | | | | | | | | | | | | | | | | | | | | | | | | | |
| | Total 96.0 | | | | | | | | | | | | | | | | | | | | | | | | | | | | | | |

| | | | | | | | | | | | | | | | | | | | | | | | | | | | | | | | |
|--|--|-----|------|---|-----|-------|---|-----|-----|---|-----|-----|---|-----|-------|---|-----|------|---|-----|-----|---|-----|------|---|-----|------|---|-----|------|---|
| <p>20 Skud</p>  | <table style="width:100%;"> <tr><td style="width:10%;">11:</td><td style="width:15%;">10.2</td><td style="width:10%; text-align: right;">→</td></tr> <tr><td>12:</td><td>10.5x</td><td style="text-align: right;">↙</td></tr> <tr><td>13:</td><td>9.9</td><td style="text-align: right;">↗</td></tr> <tr><td>14:</td><td>9.8</td><td style="text-align: right;">↗</td></tr> <tr><td>15:</td><td>10.8x</td><td style="text-align: right;">↓</td></tr> <tr><td>16:</td><td>10.2</td><td style="text-align: right;">↗</td></tr> <tr><td>17:</td><td>9.8</td><td style="text-align: right;">↘</td></tr> <tr><td>18:</td><td>10.4</td><td style="text-align: right;">→</td></tr> <tr><td>19:</td><td>10.4</td><td style="text-align: right;">↑</td></tr> <tr><td>20:</td><td>10.2</td><td style="text-align: right;">↑</td></tr> </table> | 11: | 10.2 | → | 12: | 10.5x | ↙ | 13: | 9.9 | ↗ | 14: | 9.8 | ↗ | 15: | 10.8x | ↓ | 16: | 10.2 | ↗ | 17: | 9.8 | ↘ | 18: | 10.4 | → | 19: | 10.4 | ↑ | 20: | 10.2 | ↑ |
| 11: | 10.2 | → | | | | | | | | | | | | | | | | | | | | | | | | | | | | | |
| 12: | 10.5x | ↙ | | | | | | | | | | | | | | | | | | | | | | | | | | | | | |
| 13: | 9.9 | ↗ | | | | | | | | | | | | | | | | | | | | | | | | | | | | | |
| 14: | 9.8 | ↗ | | | | | | | | | | | | | | | | | | | | | | | | | | | | | |
| 15: | 10.8x | ↓ | | | | | | | | | | | | | | | | | | | | | | | | | | | | | |
| 16: | 10.2 | ↗ | | | | | | | | | | | | | | | | | | | | | | | | | | | | | |
| 17: | 9.8 | ↘ | | | | | | | | | | | | | | | | | | | | | | | | | | | | | |
| 18: | 10.4 | → | | | | | | | | | | | | | | | | | | | | | | | | | | | | | |
| 19: | 10.4 | ↑ | | | | | | | | | | | | | | | | | | | | | | | | | | | | | |
| 20: | 10.2 | ↑ | | | | | | | | | | | | | | | | | | | | | | | | | | | | | |
| | Serie 97.0 | | | | | | | | | | | | | | | | | | | | | | | | | | | | | | |
| | Total 193.0 | | | | | | | | | | | | | | | | | | | | | | | | | | | | | | |



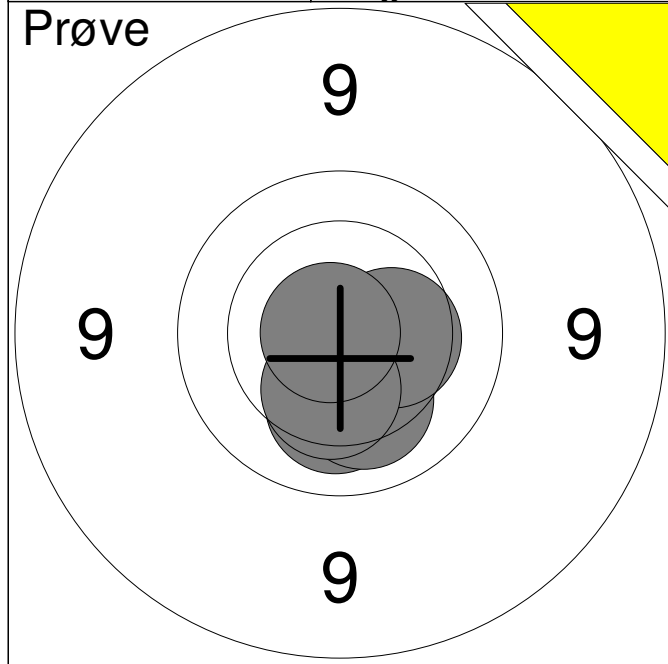
| | | | |
|----------|-----------|-------|----|
| 1: 9.0 → | 6: 9.7 ↗ | Serie | 91 |
| 2: 9.4 → | 7: 10.0 → | | |
| 3: 9.1 → | 8: 8.9 ↘ | Total | 0 |
| 4: 9.8 ↘ | 9: 10.3 ↘ | | |
| 5: 9.6 ↘ | 10: 9.3 → | | |

| | | |
|-------------|-------|----|
| 11: 9.4 ↘ | Serie | 47 |
| 12: 10.5x ↗ | | |
| 13: 9.8 → | Total | 0 |
| 14: 9.9 ↘ | | |
| 15: 10.4 ↘ | | |

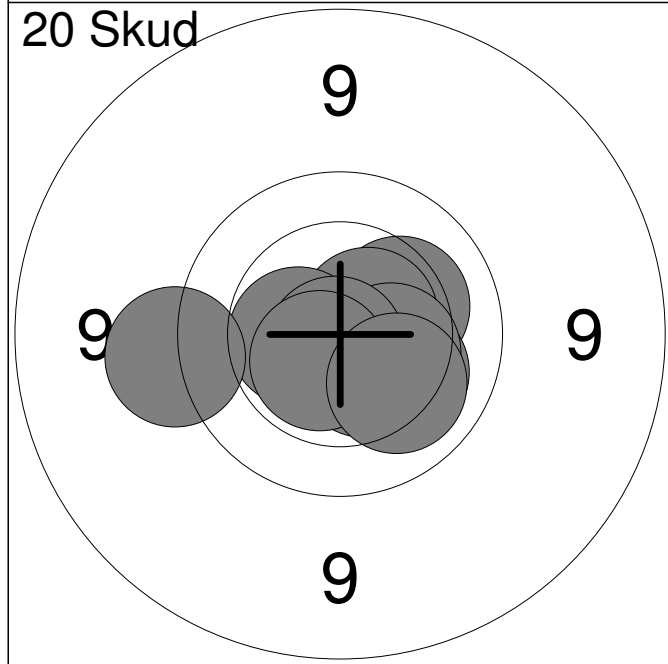


| | | | |
|-----------|-------------|-------|----|
| 1: 10.0 ↘ | 6: 9.9 → | Serie | 94 |
| 2: 10.3 ↘ | 7: 9.4 ↘ | | |
| 3: 9.5 ↘ | 8: 9.3 ← | Total | 94 |
| 4: 9.7 ↘ | 9: 10.4 ↘ | | |
| 5: 9.9 → | 10: 10.8x ↑ | | |

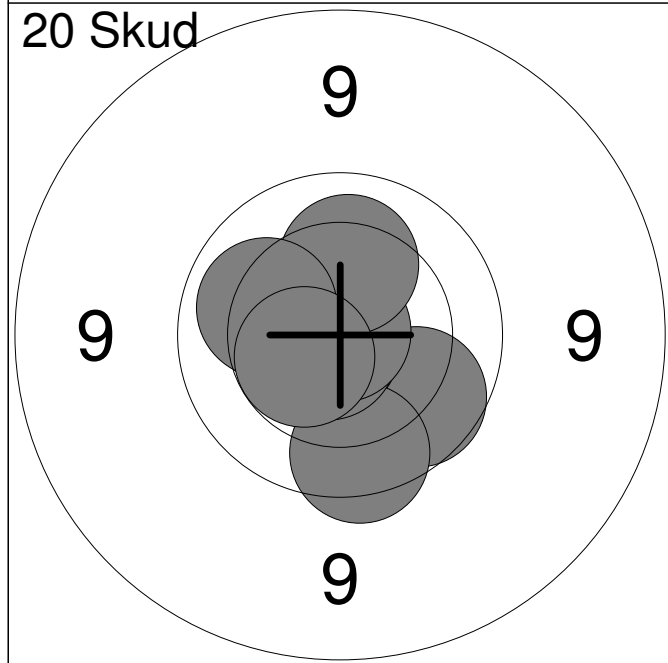
| | | | |
|-------------|------------|-------|-----|
| 11: 9.8 → | 16: 9.7 ↗ | Serie | 94 |
| 12: 9.8 ↗ | 17: 9.9 ↗ | | |
| 13: 10.5x ← | 18: 10.1 ↘ | Total | 188 |
| 14: 9.8 ← | 19: 9.9 ← | | |
| 15: 10.6x ↗ | 20: 10.1 ↗ | | |



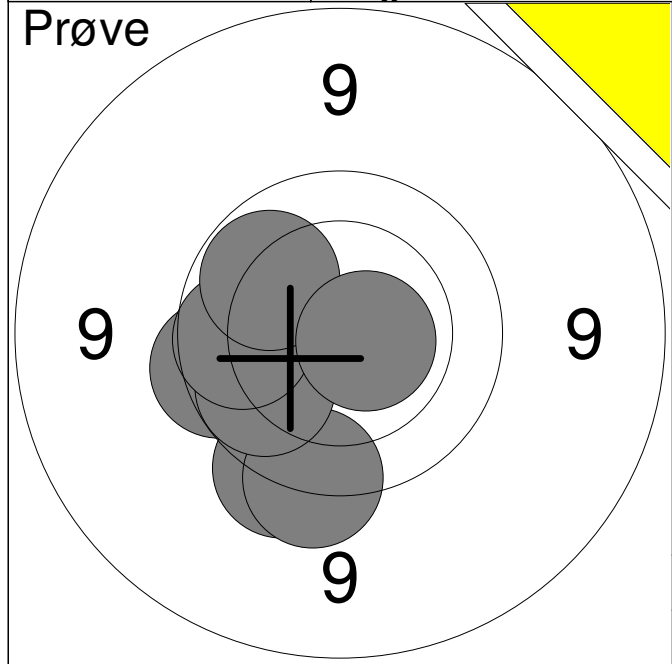
| | | |
|--------------|-------|-------------|
| 1: | 10.2 | ↓ |
| 2: | 10.2 | ↓ |
| 3: | 10.4 | → |
| 4: | 10.3 | ↓ |
| 5: | 10.8x | ← |
| Serie | | 50.0 |
| Total | | 0.0 |



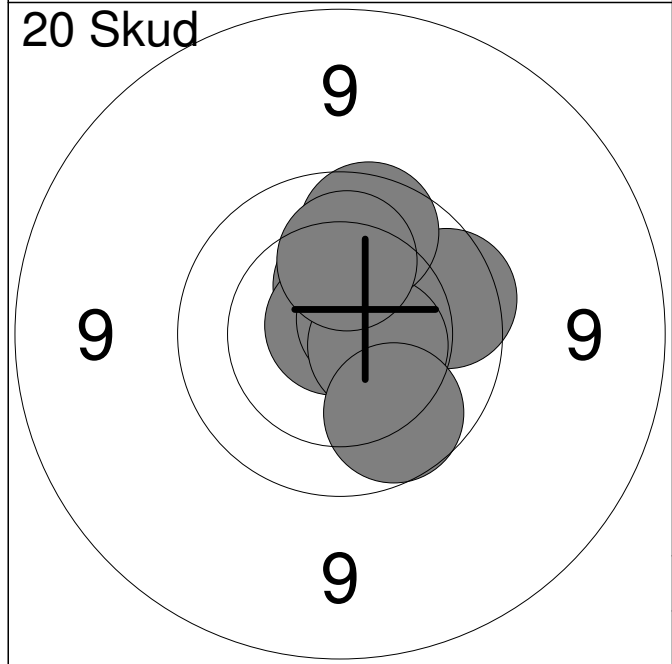
| | | |
|--------------|-------|-------------|
| 1: | 10.2 | → |
| 2: | 10.6x | → |
| 3: | 10.2 | ↓ |
| 4: | 10.5x | ↓ |
| 5: | 10.4 | → |
| 6: | 10.5x | ← |
| 7: | 10.8x | ↓ |
| 8: | 10.6x | ↓ |
| 9: | 10.1 | ↓ |
| 10: | 9.5 | ← |
| Serie | | 99.0 |
| Total | | 99.0 |



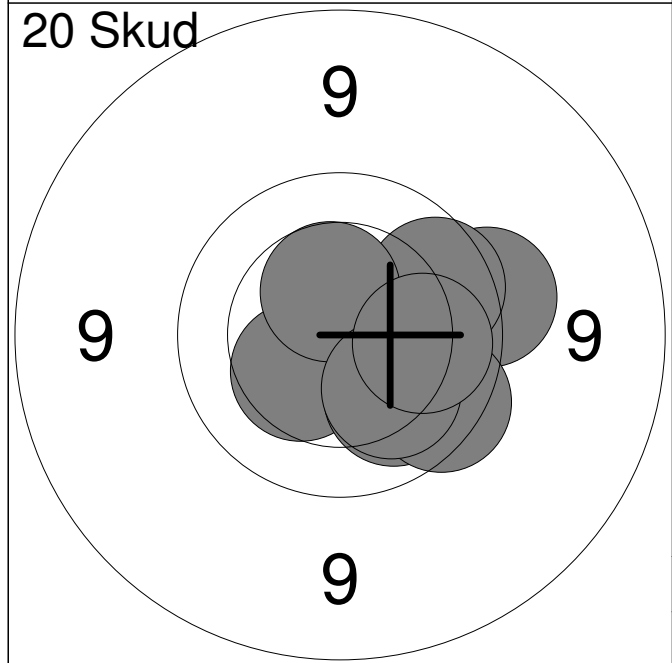
| | | |
|--------------|-------|--------------|
| 11: | 9.9 | ↓ |
| 12: | 10.8x | ↓ |
| 13: | 9.8 | ↓ |
| 14: | 10.7x | ↓ |
| 15: | 10.5 | ↑ |
| 16: | 10.9x | ↑ |
| 17: | 10.3 | ← |
| 18: | 10.2 | ↑ |
| 19: | 10.1 | ← |
| 20: | 10.5x | ↓ |
| Serie | | 98.0 |
| Total | | 197.0 |



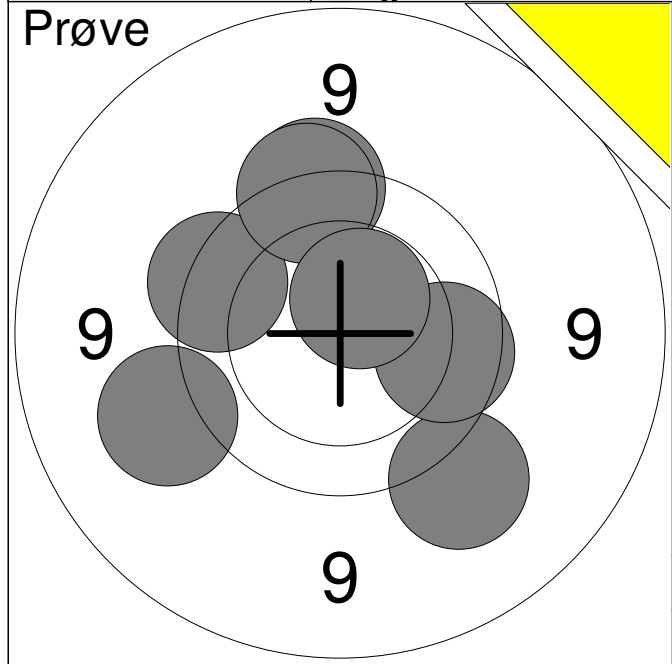
| | | |
|--------------|-------|-------------|
| 1: | 9.6 | ↘ |
| 2: | 9.6 | ↘ |
| 3: | 9.8 | ← |
| 4: | 10.0 | ↙ |
| 5: | 9.9 | ← |
| 6: | 10.0 | ↗ |
| 7: | 10.7x | → |
| Serie | | 66.0 |
| Total | | 0.0 |



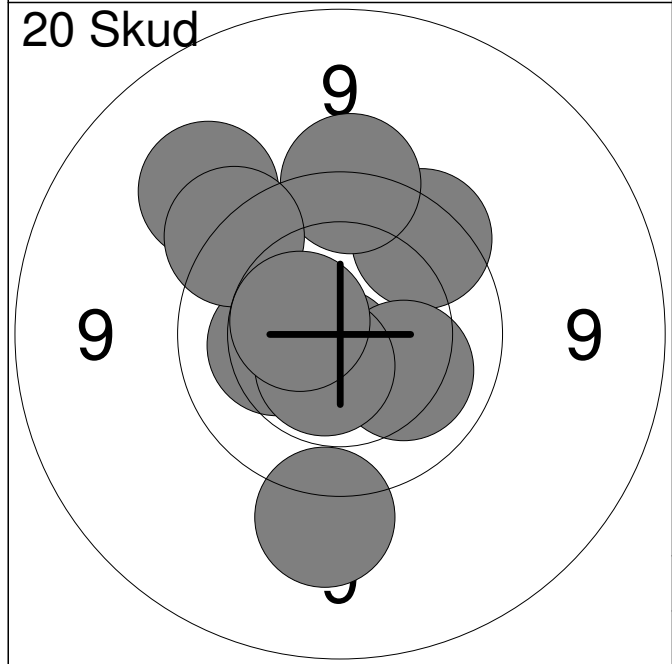
| | | |
|--------------|-------|-------------|
| 1: | 10.5x | ↗ |
| 2: | 10.4 | ↑ |
| 3: | 10.8x | ↖ |
| 4: | 10.2 | ↗ |
| 5: | 10.6x | ↗ |
| 6: | 9.8 | → |
| 7: | 10.5x | → |
| 8: | 9.9 | ↑ |
| 9: | 10.2 | ↑ |
| 10: | 9.9 | ↘ |
| Serie | | 97.0 |
| Total | | 97.0 |



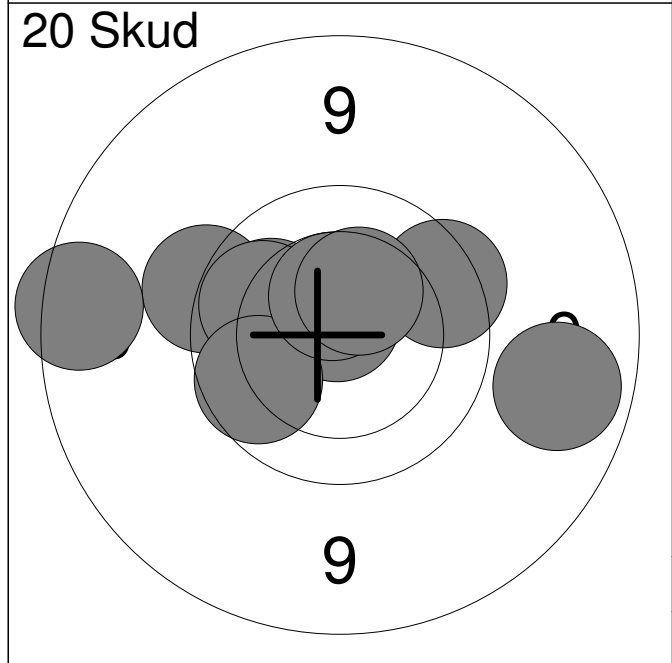
| | | |
|--------------|------|--------------|
| 11: | 9.6 | → |
| 12: | 10.4 | → |
| 13: | 10.4 | ↙ |
| 14: | 9.9 | ↗ |
| 15: | 9.9 | ↘ |
| 16: | 10.1 | ↘ |
| 17: | 9.8 | ↘ |
| 18: | 10.5 | ↑ |
| 19: | 10.2 | ↘ |
| 20: | 10.1 | → |
| Serie | | 96.0 |
| Total | | 193.0 |



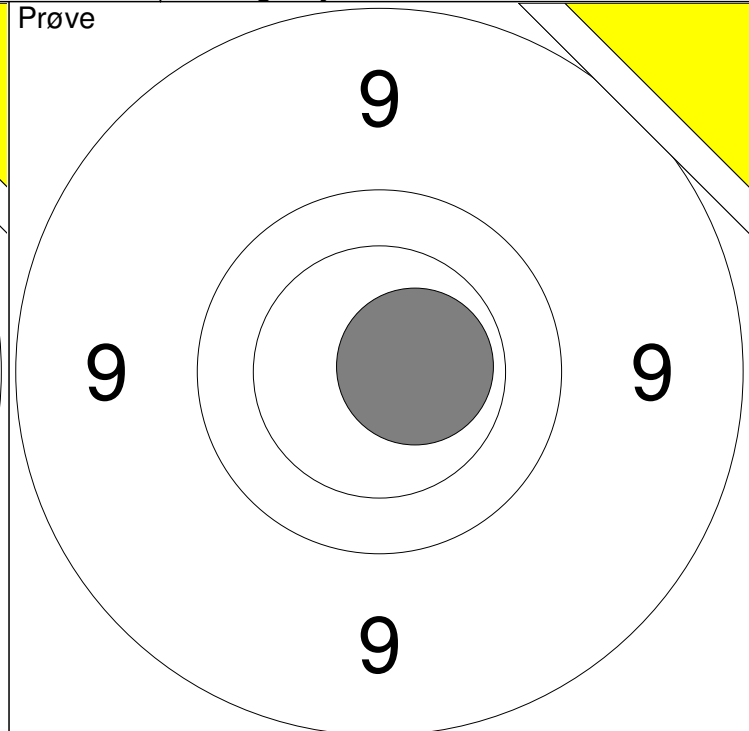
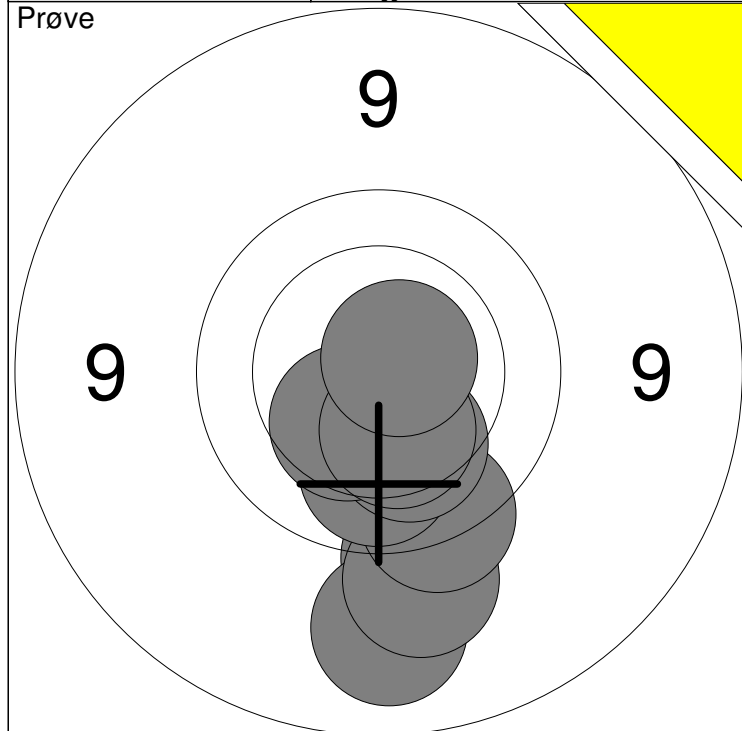
| | | |
|--------------|-------|-------------|
| 1: | 9.4 | ↘ |
| 2: | 9.3 | ↙ |
| 3: | 9.9 | → |
| 4: | 9.6 | ↑ |
| 5: | 9.7 | ↖ |
| 6: | 9.6 | ↑ |
| 7: | 10.5x | ↗ |
| Serie | | 64.0 |
| Total | | 0.0 |



| | | |
|--------------|-------|-------------|
| 1: | 9.7 | ↗ |
| 2: | 9.3 | ↖ |
| 3: | 10.3 | ↙ |
| 4: | 10.7x | ↘ |
| 5: | 9.6 | ↑ |
| 6: | 9.4 | ↘ |
| 7: | 9.6 | ↗ |
| 8: | 10.2 | ↘ |
| 9: | 10.6x | ↘ |
| 10: | 10.5x | ↙ |
| Serie | | 95.0 |
| Total | | 95.0 |

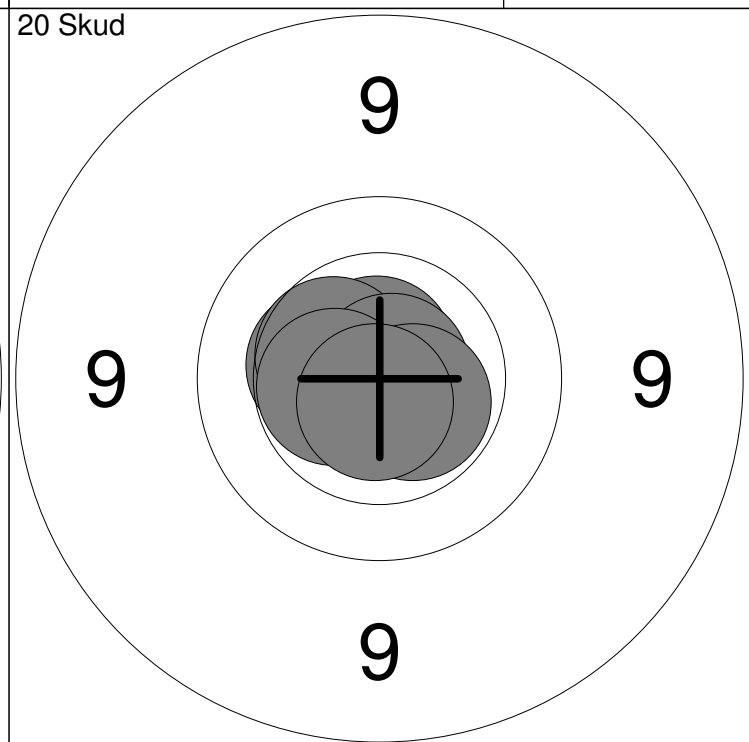
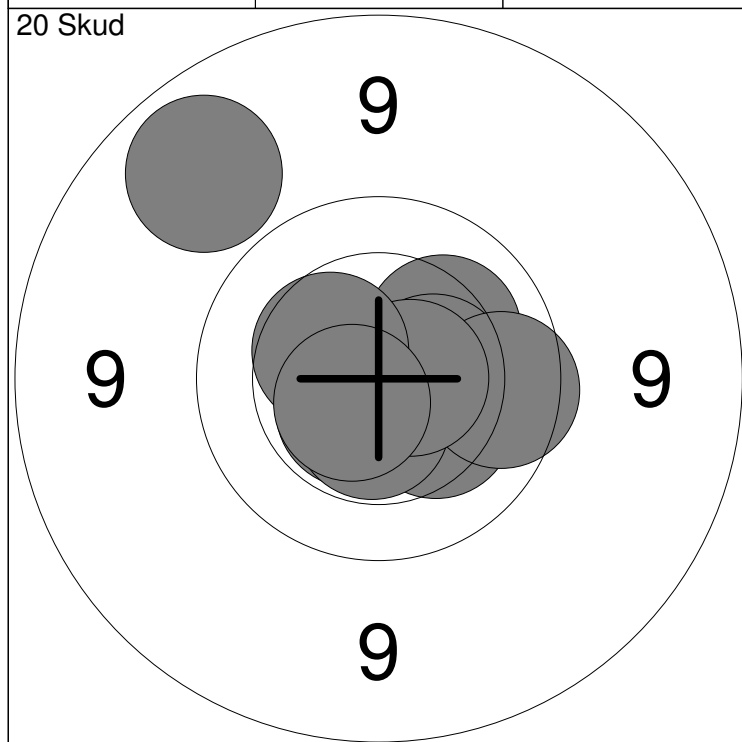


| | | |
|--------------|-------|--------------|
| 11: | 9.6 | ↙ |
| 12: | 8.8 | ↙ |
| 13: | 10.1 | ↖ |
| 14: | 9.8 | ↗ |
| 15: | 10.0 | ↖ |
| 16: | 10.7x | ↑ |
| 17: | 9.0 | → |
| 18: | 9.9 | ↙ |
| 19: | 10.5x | ↑ |
| 20: | 10.4 | ↗ |
| Serie | | 94.0 |
| Total | | 189.0 |



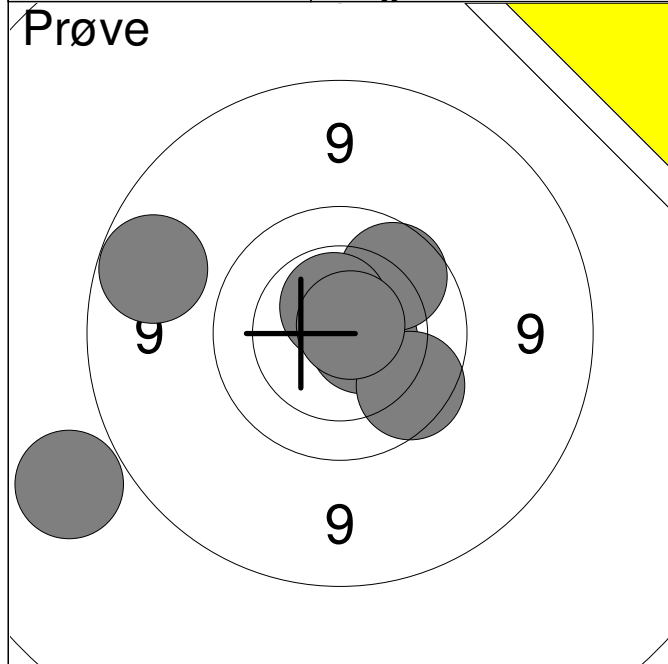
| | | |
|-----------|-------------|-----------------|
| 1: 9.5 ↓ | 6: 10.0 ↓ | Serie 96 |
| 2: 9.1 ↓ | 7: 10.2 ↓ | |
| 3: 9.4 ↓ | 8: 10.4 ↙ | Total 0 |
| 4: 10.2 ↓ | 9: 10.4 ↓ | |
| 5: 9.7 ↓ | 10: 10.7x ↗ | |

| | |
|-------------|-----------------|
| 11: 10.6x → | Serie 10 |
| | |
| | Total 0 |

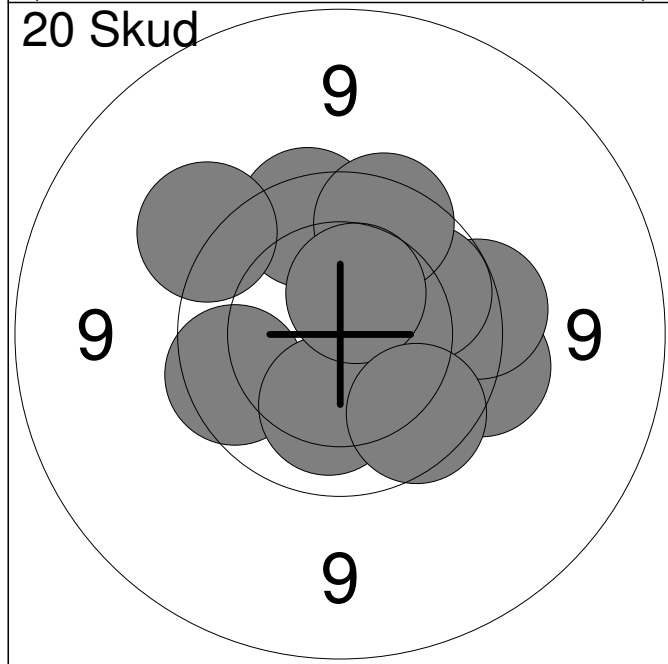


| | | |
|------------|-------------|-----------------|
| 1: 9.0 ↗ | 6: 10.5x ↓ | Serie 98 |
| 2: 10.2 ↗ | 7: 9.8 → | |
| 3: 10.4 → | 8: 10.6x → | Total 98 |
| 4: 10.3 ↓ | 9: 10.4 ↖ | |
| 5: 10.6x ↙ | 10: 10.6x ↙ | |

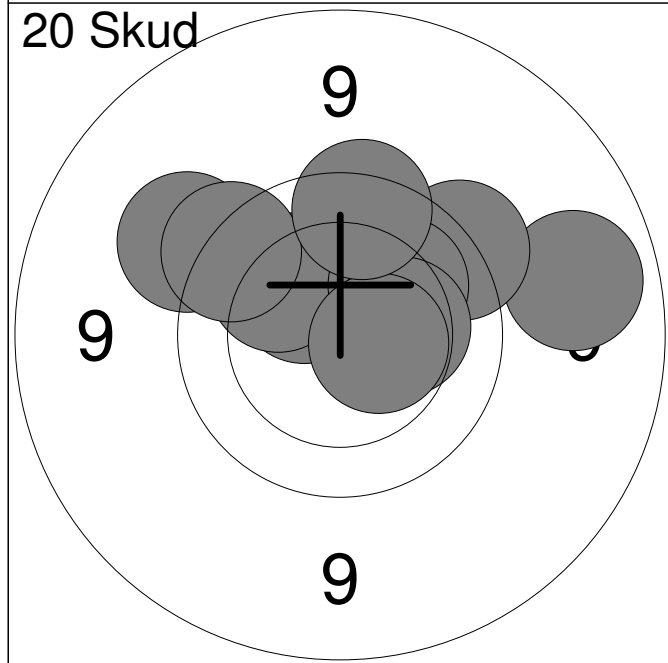
| | | |
|-------------|-------------|------------------|
| 11: 10.9x → | 16: 10.5 ↖ | Serie 100 |
| 12: 10.4 ← | 17: 10.8x ↗ | |
| 13: 10.8x → | 18: 10.5x ← | Total 198 |
| 14: 10.9x ↑ | 19: 10.6x ↓ | |
| 15: 10.7x ↑ | 20: 10.7x ↓ | |



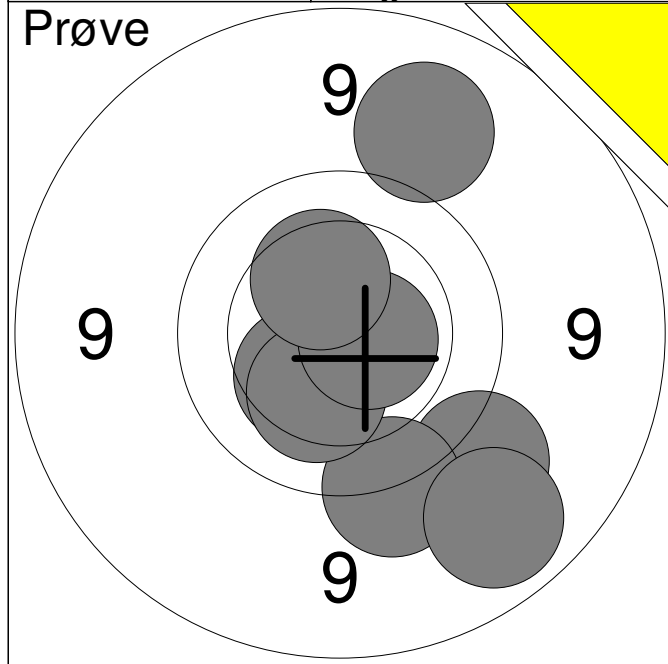
| | | |
|--------------|-------|-------------|
| 1: | 8.4 | ↙ |
| 2: | 10.6x | → |
| 3: | 9.8 | ↘ |
| 4: | 9.9 | ↗ |
| 5: | 9.0 | ↖ |
| 6: | 10.6x | ↗ |
| 7: | 10.8x | ↘ |
| Serie | | 65.0 |
| Total | | 0.0 |



| | | |
|--------------|------|-------------|
| 1: | 9.6 | → |
| 2: | 9.7 | → |
| 3: | 9.8 | ↑ |
| 4: | 9.8 | ↖ |
| 5: | 9.5 | ↗ |
| 6: | 10.0 | ↗ |
| 7: | 9.8 | ↑ |
| 8: | 10.2 | ↓ |
| 9: | 10.5 | ↑ |
| 10: | 9.8 | ↓ |
| Serie | | 93.0 |
| Total | | 93.0 |

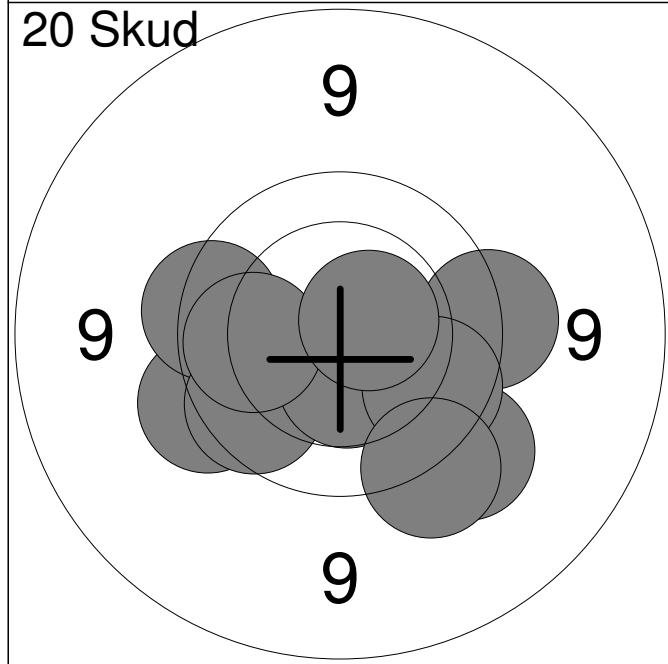


| | | |
|--------------|-------|--------------|
| 11: | 10.4 | ↗ |
| 12: | 10.1 | ↗ |
| 13: | 9.4 | ↗ |
| 14: | 9.7 | ↗ |
| 15: | 9.0 | → |
| 16: | 9.6 | ↗ |
| 17: | 10.1 | ↗ |
| 18: | 10.3 | → |
| 19: | 10.5x | → |
| 20: | 9.7 | ↑ |
| Serie | | 95.0 |
| Total | | 188.0 |



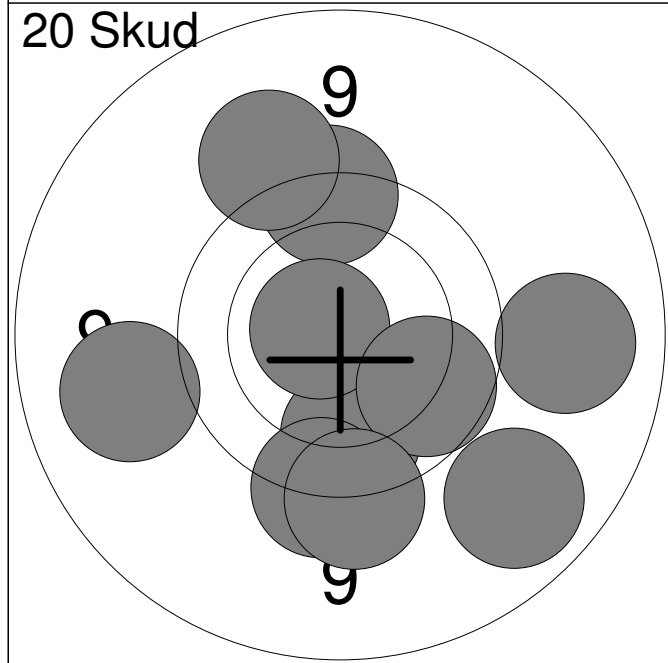
| | | |
|----|-------|---|
| 1: | 9.2 | ↗ |
| 2: | 9.4 | ↘ |
| 3: | 9.5 | ↘ |
| 4: | 10.3 | ↘ |
| 5: | 10.3 | ↘ |
| 6: | 9.0 | ↘ |
| 7: | 10.6x | → |
| 8: | 10.3 | ↗ |

| | |
|-------|------|
| Serie | 76.0 |
| Total | 0.0 |



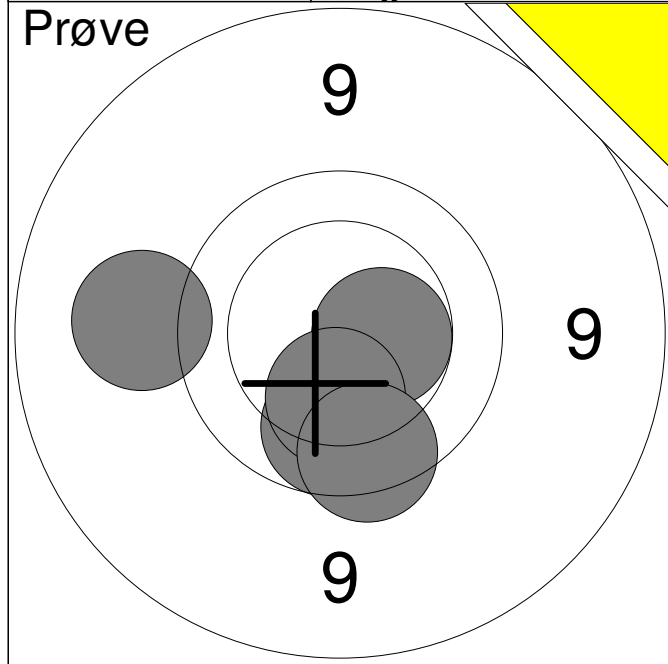
| | | |
|-----|-------|---|
| 1: | 9.6 | ↖ |
| 2: | 9.7 | ← |
| 3: | 9.5 | ↘ |
| 4: | 9.6 | → |
| 5: | 9.8 | ↖ |
| 6: | 10.5 | ↘ |
| 7: | 10.0 | ← |
| 8: | 9.9 | ↘ |
| 9: | 10.6x | → |
| 10: | 9.5 | ↘ |

| | |
|-------|------|
| Serie | 93.0 |
| Total | 93.0 |

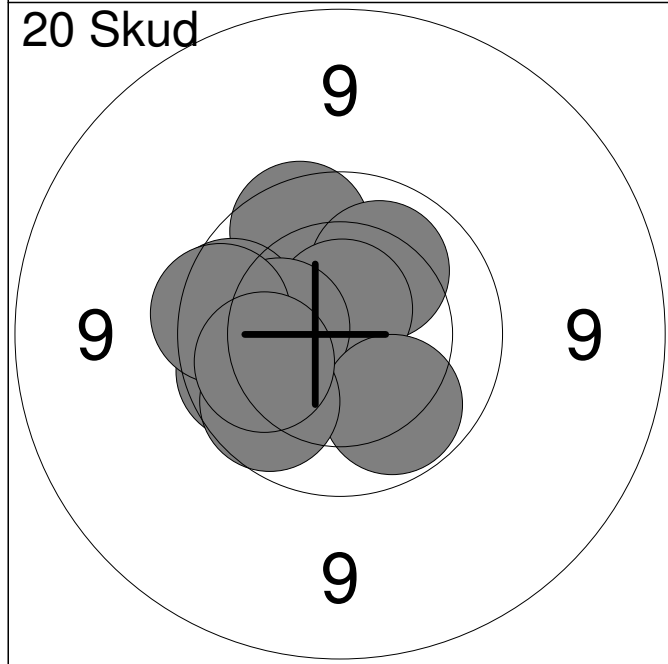


| | | |
|-----|-------|---|
| 11: | 9.7 | ↗ |
| 12: | 9.9 | ↘ |
| 13: | 9.6 | ↘ |
| 14: | 10.7x | ↗ |
| 15: | 9.9 | ↘ |
| 16: | 9.1 | ↘ |
| 17: | 9.1 | → |
| 18: | 9.5 | ↘ |
| 19: | 9.2 | ↖ |
| 20: | 9.4 | ↗ |

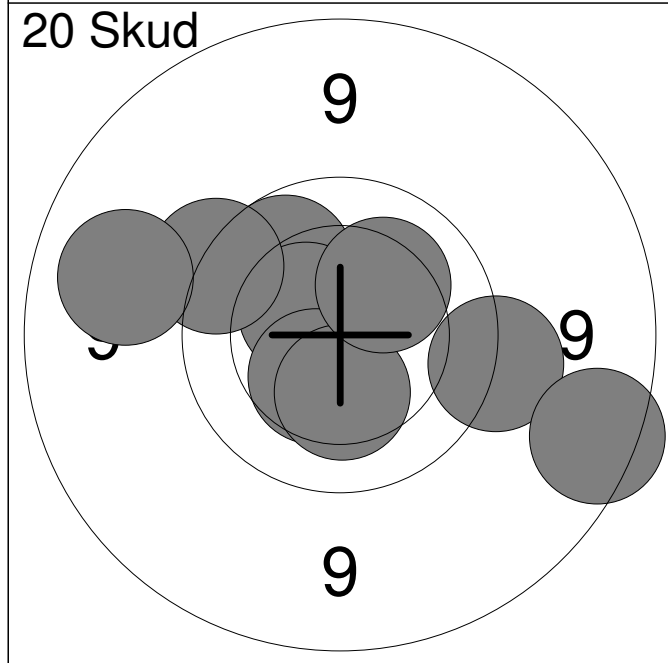
| | |
|-------|-------|
| Serie | 91.0 |
| Total | 184.0 |



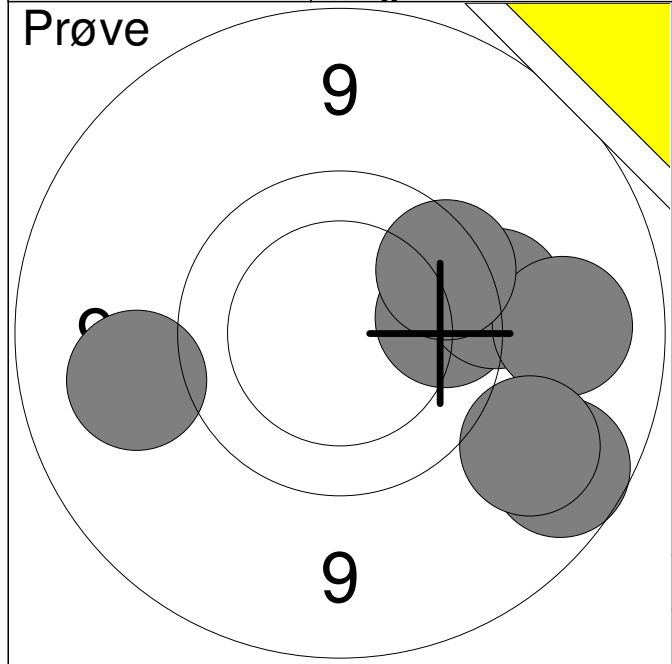
| | | |
|--------------|-------|-------------|
| 1: | 10.5x | → |
| 2: | 9.9 | ↓ |
| 3: | 10.3 | ↓ |
| 4: | 9.8 | ↓ |
| 5: | 9.3 | ← |
| Serie | | 47.0 |
| Total | | 0.0 |



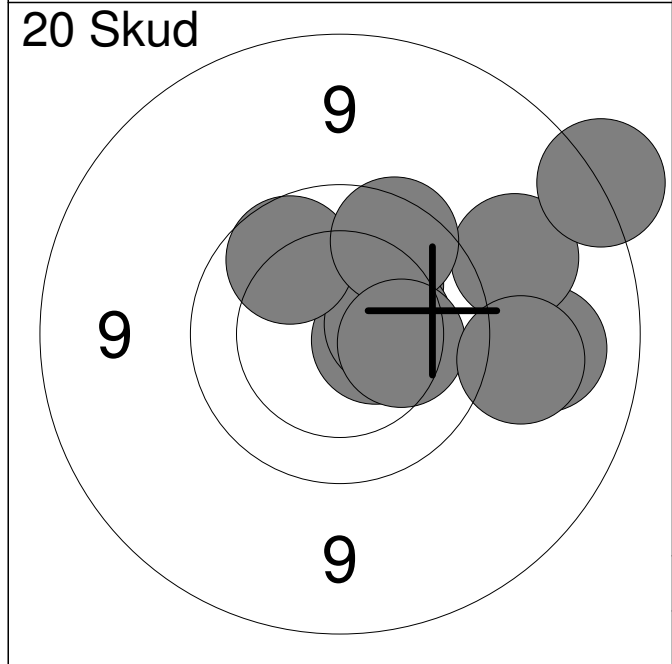
| | | |
|--------------|-------|-------------|
| 1: | 9.9 | ← |
| 2: | 9.8 | ↑ |
| 3: | 10.1 | ↗ |
| 4: | 10.7x | ↑ |
| 5: | 9.8 | ← |
| 6: | 10.3 | ← |
| 7: | 10.0 | ↓ |
| 8: | 9.9 | ↙ |
| 9: | 9.8 | ← |
| 10: | 10.1 | ← |
| Serie | | 95.0 |
| Total | | 95.0 |



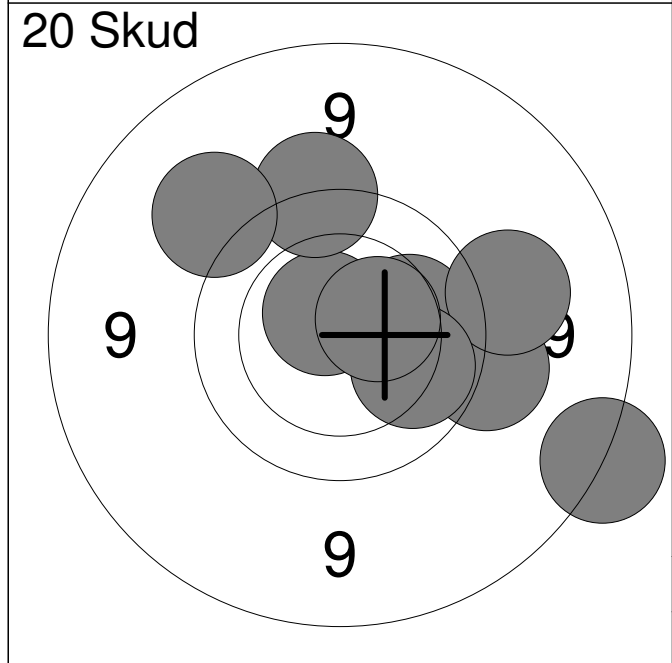
| | | |
|--------------|------|--------------|
| 11: | 9.9 | ↗ |
| 12: | 10.5 | ↗ |
| 13: | 9.5 | → |
| 14: | 10.4 | ↓ |
| 15: | 10.4 | ↙ |
| 16: | 9.6 | ↗ |
| 17: | 10.3 | ↓ |
| 18: | 9.1 | ← |
| 19: | 10.2 | ↗ |
| 20: | 8.8 | ↘ |
| Serie | | 94.0 |
| Total | | 189.0 |



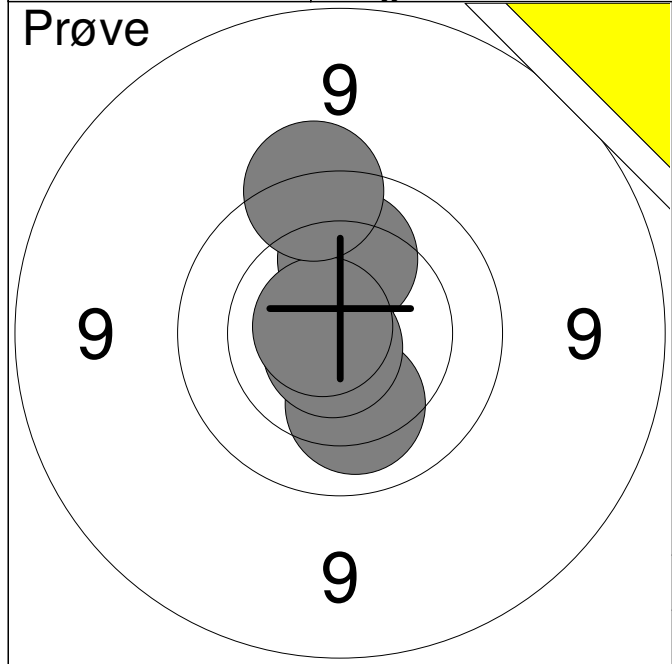
| | | |
|--------------|-----|-------------|
| 1: | 9.9 | → |
| 2: | 9.5 | → |
| 3: | 9.2 | ← |
| 4: | 8.9 | ↘ |
| 5: | 9.2 | → |
| 6: | 9.8 | ↗ |
| 7: | 9.2 | ↘ |
| Serie | | 62.0 |
| Total | | 0.0 |



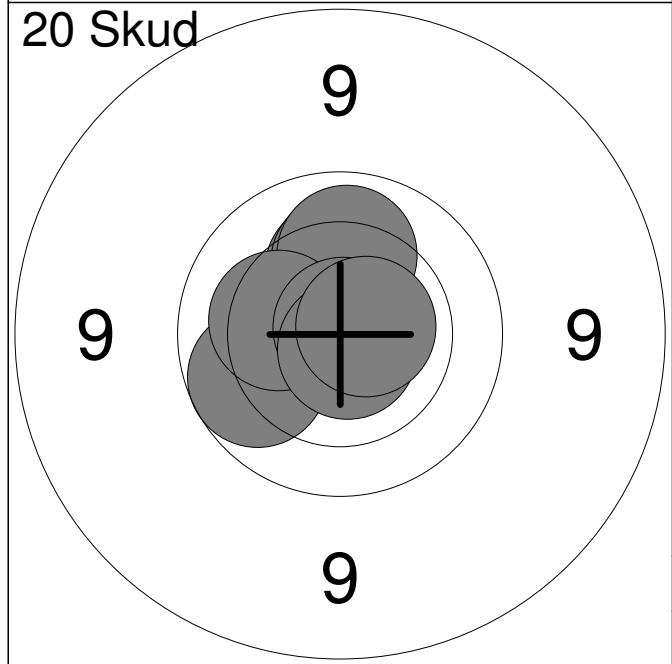
| | | |
|--------------|-------|-------------|
| 1: | 9.2 | → |
| 2: | 9.2 | → |
| 3: | 10.2 | ↗ |
| 4: | 10.5x | → |
| 5: | 10.4 | → |
| 6: | 9.9 | ↗ |
| 7: | 9.8 | ↗ |
| 8: | 10.2 | → |
| 9: | 8.7 | ↗ |
| 10: | 9.3 | → |
| Serie | | 93.0 |
| Total | | 93.0 |



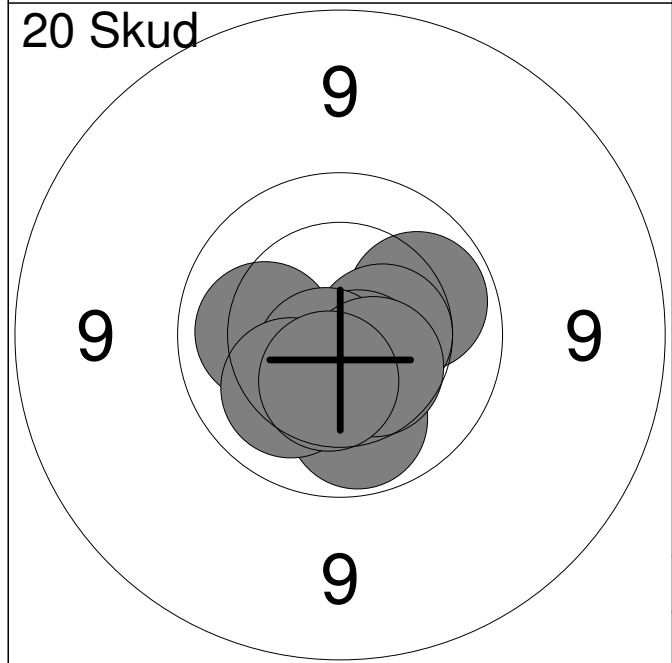
| | | |
|--------------|-------|--------------|
| 11: | 10.1 | → |
| 12: | 9.5 | → |
| 13: | 8.7 | ↘ |
| 14: | 10.1 | → |
| 15: | 10.6x | ↗ |
| 16: | 9.3 | → |
| 17: | 10.0 | ↘ |
| 18: | 9.5 | ↑ |
| 19: | 9.3 | ↗ |
| 20: | 10.5 | ↗ |
| Serie | | 94.0 |
| Total | | 187.0 |



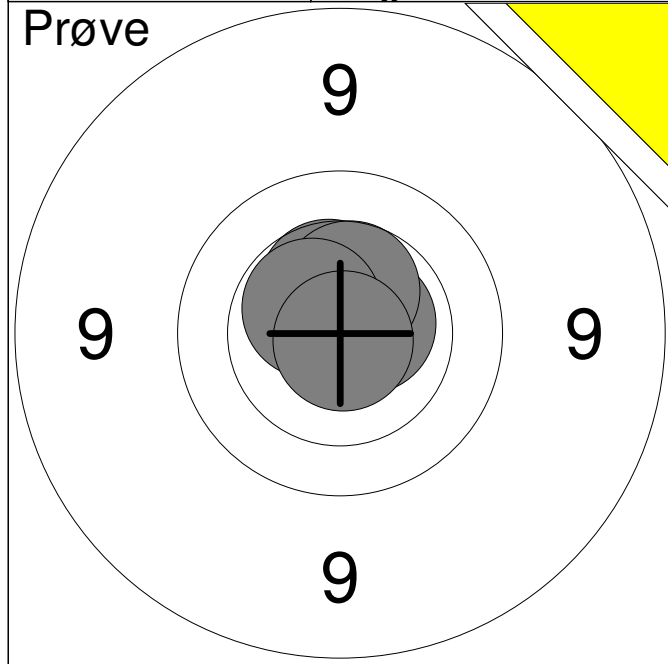
| | | |
|--------------|-------|-------------|
| 1: | 10.2 | ↓ |
| 2: | 10.1 | ↑ |
| 3: | 10.8x | ↙ |
| 4: | 10.7x | ↖ |
| 5: | 9.6 | ↑ |
| Serie | | 49.0 |
| Total | | 0.0 |



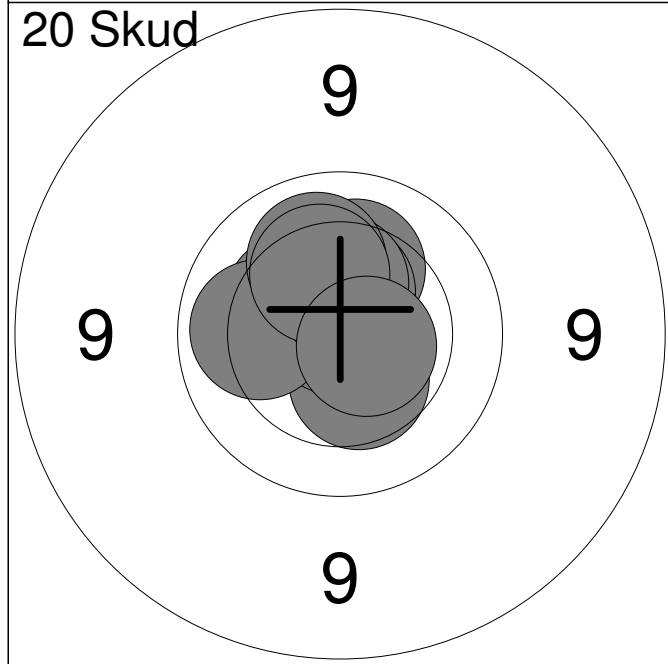
| | | |
|--------------|-------|-------------|
| 1: | 10.8x | ↙ |
| 2: | 10.8x | ↑ |
| 3: | 10.3 | ↑ |
| 4: | 10.2 | ↑ |
| 5: | 10.1 | ↑ |
| 6: | 9.9 | ↙ |
| 7: | 10.3 | ↖ |
| 8: | 10.9x | ↗ |
| 9: | 10.8x | ↓ |
| 10: | 10.7x | → |
| Serie | | 99.0 |
| Total | | 99.0 |



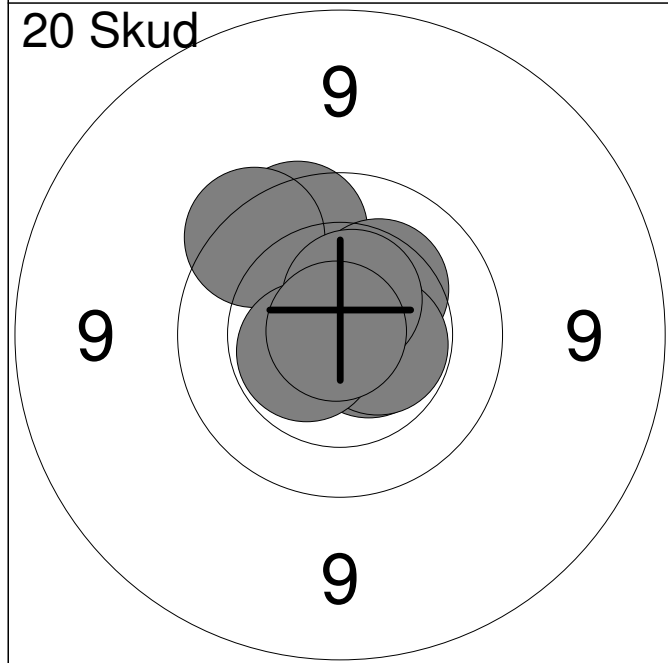
| | | |
|--------------|-------|--------------|
| 11: | 10.1 | ↖ |
| 12: | 10.4 | ↓ |
| 13: | 10.0 | → |
| 14: | 10.5x | → |
| 15: | 10.6x | ↓ |
| 16: | 10.7x | ↙ |
| 17: | 10.0 | ↓ |
| 18: | 10.5 | ↓ |
| 19: | 10.2 | ↙ |
| 20: | 10.4 | ↓ |
| Serie | | 100.0 |
| Total | | 199.0 |



| | | |
|--------------|-------|-------------|
| 1: | 10.7x | → |
| 2: | 10.5 | ↑ |
| 3: | 10.5 | ↑ |
| 4: | 10.5x | ↗ |
| 5: | 10.9x | ↓ |
| Serie | | 50.0 |
| Total | | 0.0 |



| | | |
|--------------|-------|--------------|
| 1: | 10.4 | ↓ |
| 2: | 10.2 | ↑ |
| 3: | 10.8x | ↑ |
| 4: | 10.4 | ↗ |
| 5: | 10.1 | ← |
| 6: | 10.5x | ↑ |
| 7: | 10.4 | ↑ |
| 8: | 10.1 | ↑ |
| 9: | 10.3 | ↑ |
| 10: | 10.6x | ↘ |
| Serie | | 100.0 |
| Total | | 100.0 |

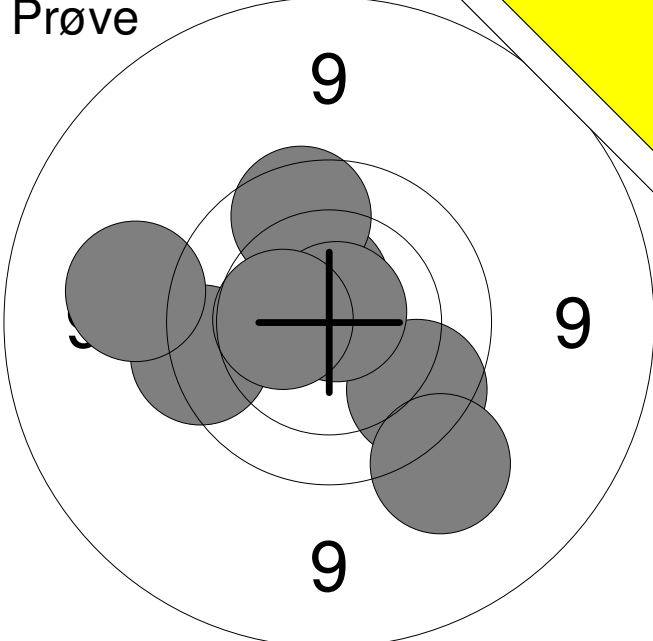


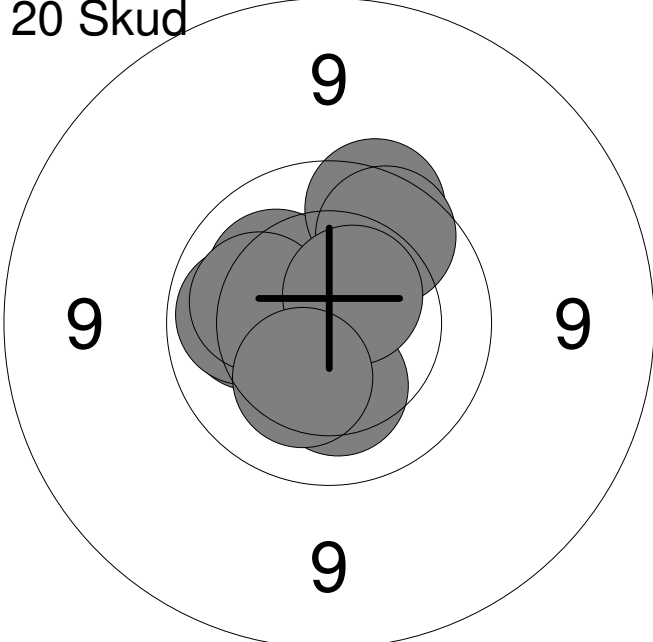
| | | |
|--------------|-------|--------------|
| 11: | 10.5 | ↑ |
| 12: | 9.8 | ↑ |
| 13: | 10.3 | ↗ |
| 14: | 10.6x | ↗ |
| 15: | 10.6x | ↓ |
| 16: | 9.7 | ↗ |
| 17: | 10.5x | ↘ |
| 18: | 10.5x | ← |
| 19: | 10.5x | ↑ |
| 20: | 10.9x | ↗ |
| Serie | | 98.0 |
| Total | | 198.0 |

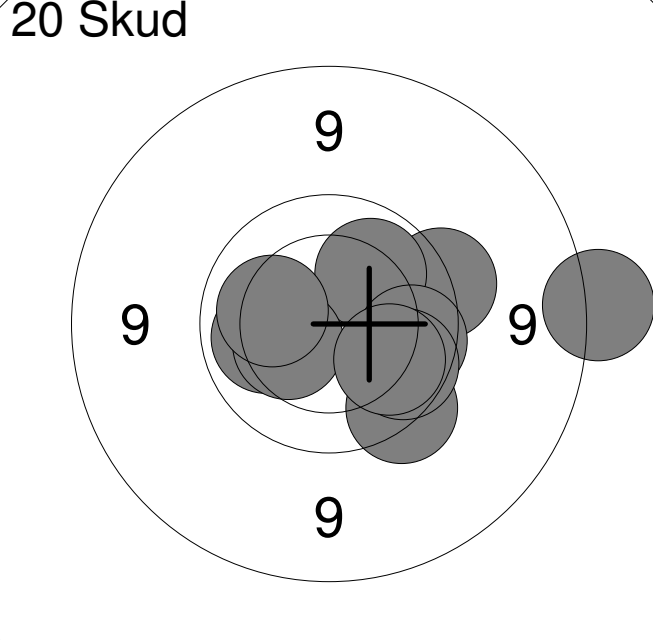
| | | | |
|-------------------|--------------------|------------------------|--|
| Hold 25 | Skive 12 | Inger Rasmussen | |
|-------------------|--------------------|------------------------|--|

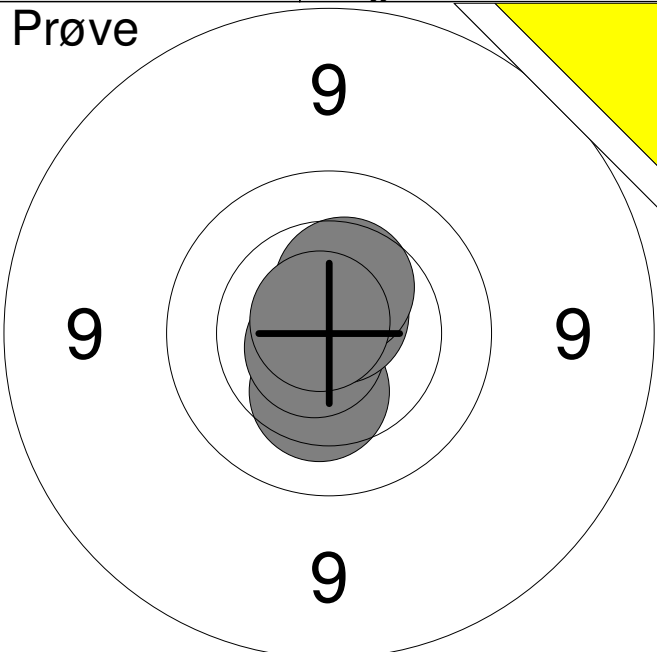
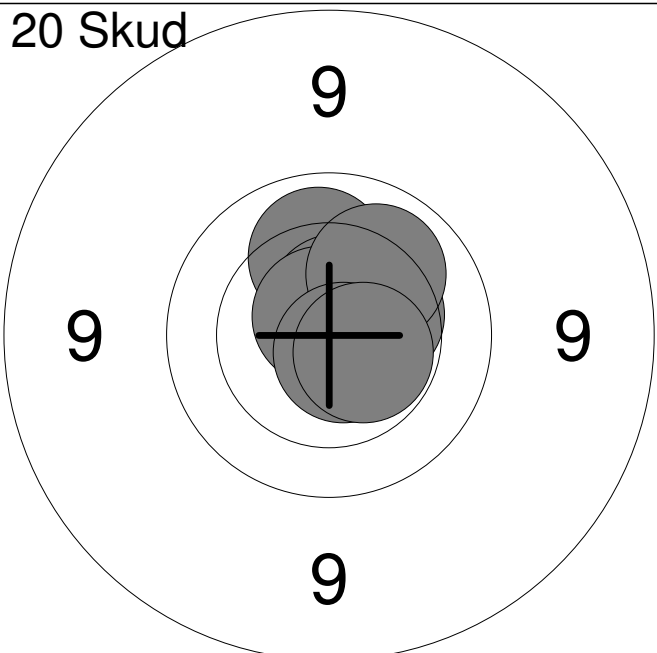
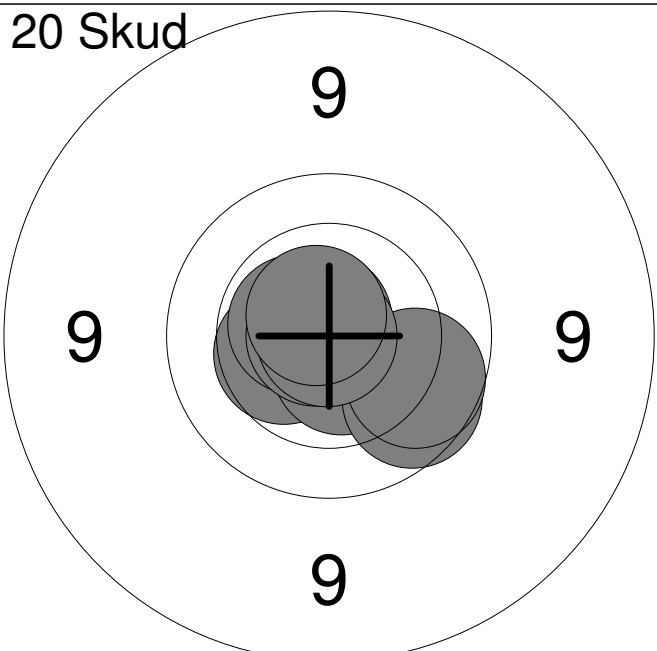
| | | |
|-----|------------|-----|
| 15m | Vadum Skf. | MÅ2 |
|-----|------------|-----|

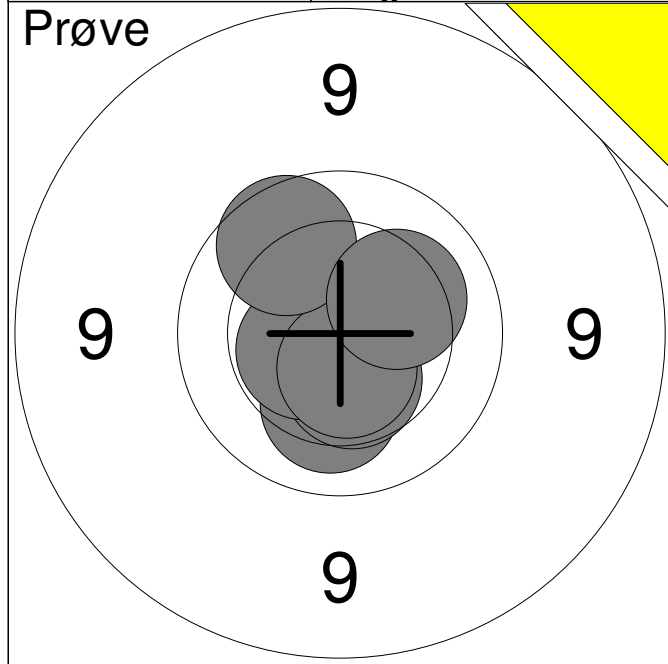
| | | |
|--|--------------------------|---------------------|
| | Nordjysk Mesterskab 2015 | Aalborg Skyttekreds |
|--|--------------------------|---------------------|

| | | |
|--|--------------|-------------|
| Prøve  | 1: 9.7 | ← |
| | 2: 10.6x | ↑ |
| | 3: 9.3 | ← |
| | 4: 9.8 | ↑ |
| | 5: 9.8 | ↘ |
| | 6: 10.8x | ↗ |
| | 7: 9.4 | ↘ |
| | 8: 10.5 | ← |
| | Serie | 75.0 |
| Total | 0.0 | |

| | | |
|---|--------------|-------------|
| 20 Skud  | 1: 10.1 | ← |
| | 2: 10.3 | ↓ |
| | 3: 10.2 | ↗ |
| | 4: 10.0 | ← |
| | 5: 10.2 | ↗ |
| | 6: 9.8 | ↑ |
| | 7: 9.9 | ↗ |
| | 8: 10.2 | ← |
| | 9: 10.6x | ↗ |
| | 10: 10.3 | ↓ |
| | Serie | 98.0 |
| Total | 98.0 | |

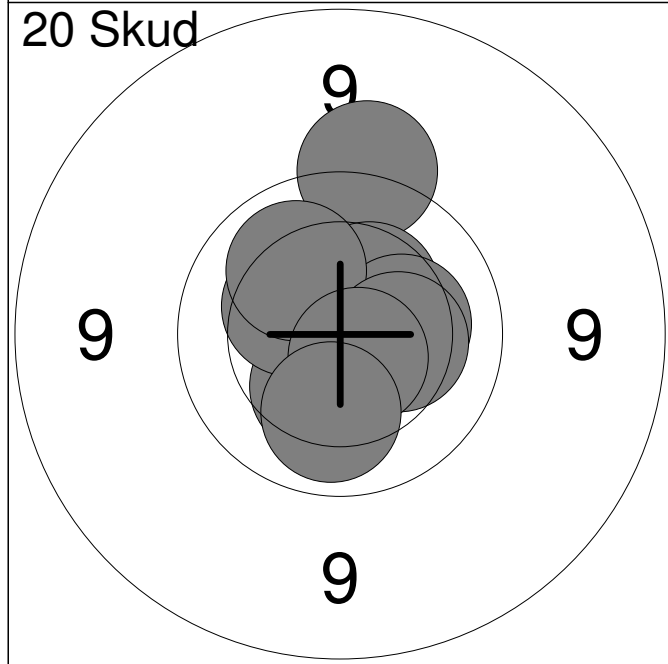
| | | | |
|--|--------------|--------------|--|
| 20 Skud  | 11: 10.1 | ← | |
| | 12: 9.6 | → | |
| | 13: 10.1 | ↗ | |
| | 14: 8.6 | → | |
| | 15: 10.3 | ← | |
| | 16: 9.7 | ↓ | |
| | 17: 9.9 | → | |
| | 18: 10.2 | ← | |
| | 19: 9.9 | ↓ | |
| | 20: 10.0 | ↘ | |
| | Serie | 94.0 | |
| | Total | 192.0 | |

| Hold | Skive | Anne Lise Herskind | |
|---------|--|---------------------|--------------|
| 26 | 1 | | |
| 15m | Vodskov Skytteforening | MÅ1 | |
| | Nordjysk Mesterskab 2015 | Aalborg Skyttekreds | |
| Prøve |  | 1: 10.3 | ↓ |
| | | 2: 10.7x | ↙ |
| | | 3: 10.7x | ↗ |
| | | 4: 10.4 | ↗ |
| | | 5: 10.8x | ↗ |
| | | Serie | 50.0 |
| | | Total | 0.0 |
| 20 Skud |  | 1: 10.8x | ↘ |
| | | 2: 10.5 | ↗ |
| | | 3: 10.3 | ↗ |
| | | 4: 10.1 | ↗ |
| | | 5: 10.6x | ↗ |
| | | 6: 10.7x | ↗ |
| | | 7: 10.4 | ↗ |
| | | 8: 10.1 | ↗ |
| | | 9: 10.7x | ↘ |
| | | 10: 10.5x | ↘ |
| | | Serie | 100.0 |
| | | Total | 100.0 |
| 20 Skud |  | 11: 10.4 | ↙ |
| | | 12: 10.7x | ↓ |
| | | 13: 10.6x | ↓ |
| | | 14: 10.6x | ↗ |
| | | 15: 10.8x | ↙ |
| | | 16: 9.9 | ↓ |
| | | 17: 9.9 | ↘ |
| | | 18: 10.8x | ↗ |
| | | 19: 10.9x | ↙ |
| | | 20: 10.7x | ↗ |
| | | Serie | 98.0 |
| | | Total | 198.0 |



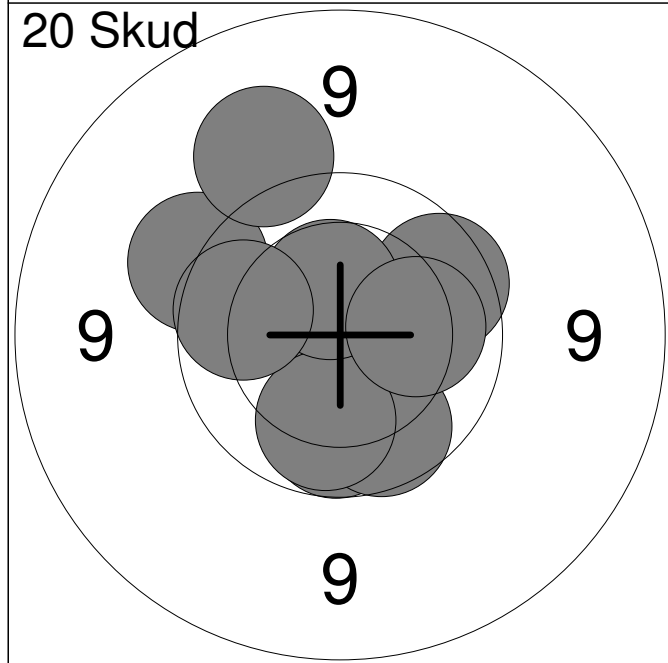
| | | |
|----|-------|---|
| 1: | 10.2 | ↓ |
| 2: | 10.4 | ↓ |
| 3: | 10.5x | ← |
| 4: | 10.6x | ↓ |
| 5: | 9.9 | ↑ |
| 6: | 10.2 | → |

| | |
|-------|------|
| Serie | 59.0 |
| Total | 0.0 |



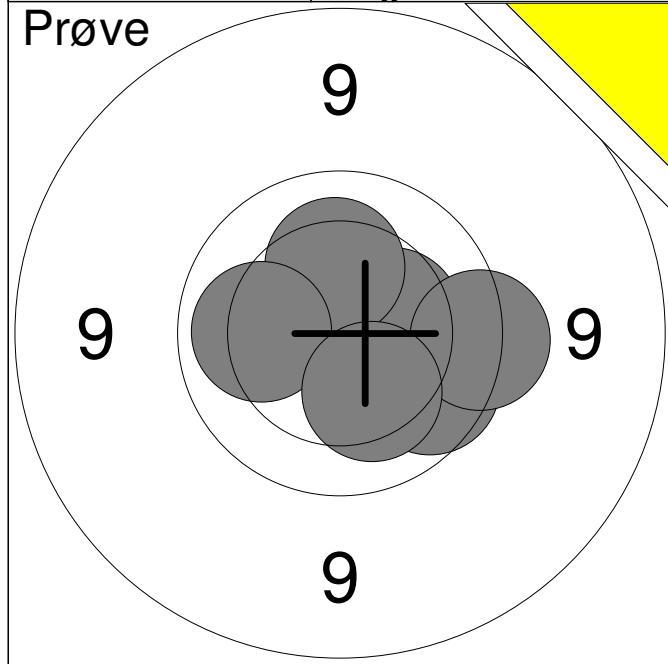
| | | |
|-----|-------|---|
| 1: | 10.5 | ↑ |
| 2: | 9.5 | ↑ |
| 3: | 10.3 | ↓ |
| 4: | 10.4 | ↗ |
| 5: | 10.3 | ↗ |
| 6: | 10.3 | → |
| 7: | 10.1 | ↗ |
| 8: | 10.3 | → |
| 9: | 10.6x | ↓ |
| 10: | 10.1 | ↓ |

| | |
|-------|------|
| Serie | 99.0 |
| Total | 99.0 |

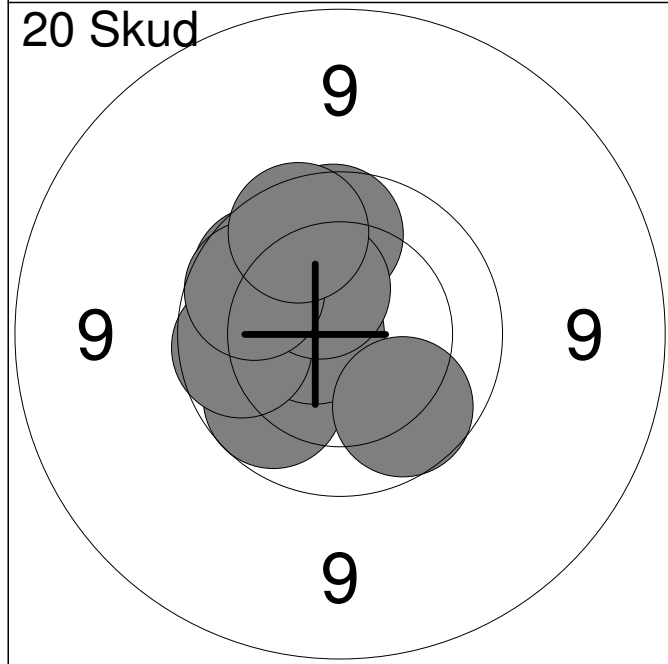


| | | |
|-----|-------|---|
| 11: | 10.6x | ↓ |
| 12: | 9.9 | ↓ |
| 13: | 9.9 | ↓ |
| 14: | 10.0 | ↓ |
| 15: | 9.8 | ↗ |
| 16: | 9.5 | ↗ |
| 17: | 9.3 | ↗ |
| 18: | 10.5 | ↑ |
| 19: | 10.1 | → |
| 20: | 9.9 | ← |

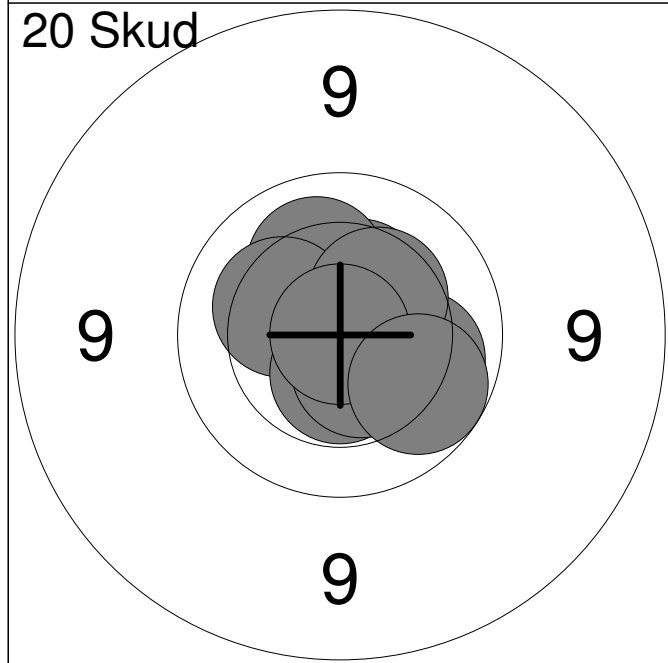
| | |
|-------|-------|
| Serie | 94.0 |
| Total | 193.0 |



| | | |
|--------------|------|-------------|
| 1: | 10.1 | → |
| 2: | 9.9 | ↘ |
| 3: | 10.4 | → |
| 4: | 9.7 | → |
| 5: | 10.2 | ↑ |
| 6: | 10.1 | ← |
| 7: | 10.2 | ↙ |
| Serie | | 68.0 |
| Total | | 0.0 |



| | | |
|--------------|-------|-------------|
| 1: | 9.9 | ↖ |
| 2: | 10.0 | ↙ |
| 3: | 9.9 | ↑ |
| 4: | 10.7x | ← |
| 5: | 9.9 | ↗ |
| 6: | 9.9 | ↘ |
| 7: | 9.9 | ← |
| 8: | 10.4 | ↗ |
| 9: | 9.9 | ↗ |
| 10: | 9.8 | ↗ |
| Serie | | 93.0 |
| Total | | 93.0 |

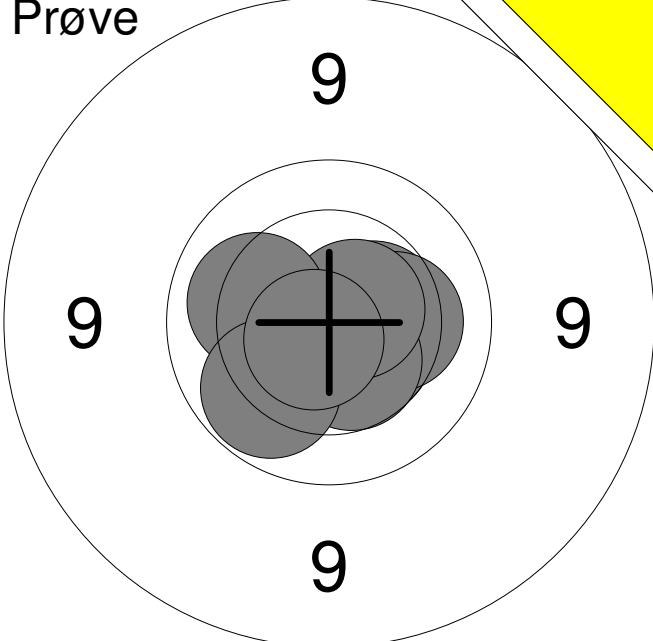


| | | |
|--------------|-------|--------------|
| 11: | 10.7x | ↗ |
| 12: | 10.1 | → |
| 13: | 10.4 | ↗ |
| 14: | 10.2 | ↗ |
| 15: | 10.3 | ↗ |
| 16: | 10.5x | ↘ |
| 17: | 10.5x | ↘ |
| 18: | 10.4 | ↗ |
| 19: | 10.9x | ↗ |
| 20: | 10.0 | ↘ |
| Serie | | 100.0 |
| Total | | 193.0 |

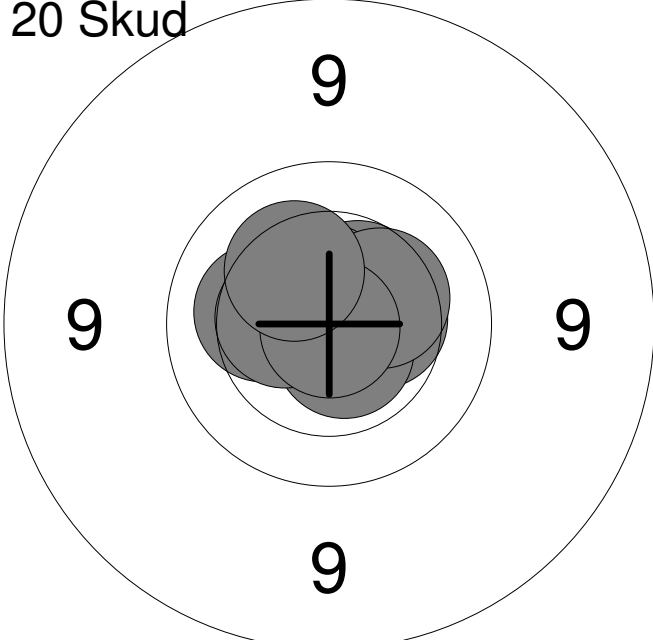
| | | | |
|-------------------|-------------------|------------------------------|--|
| Hold 26 | Skive 4 | Jens Ingerslev Larsen | |
|-------------------|-------------------|------------------------------|--|

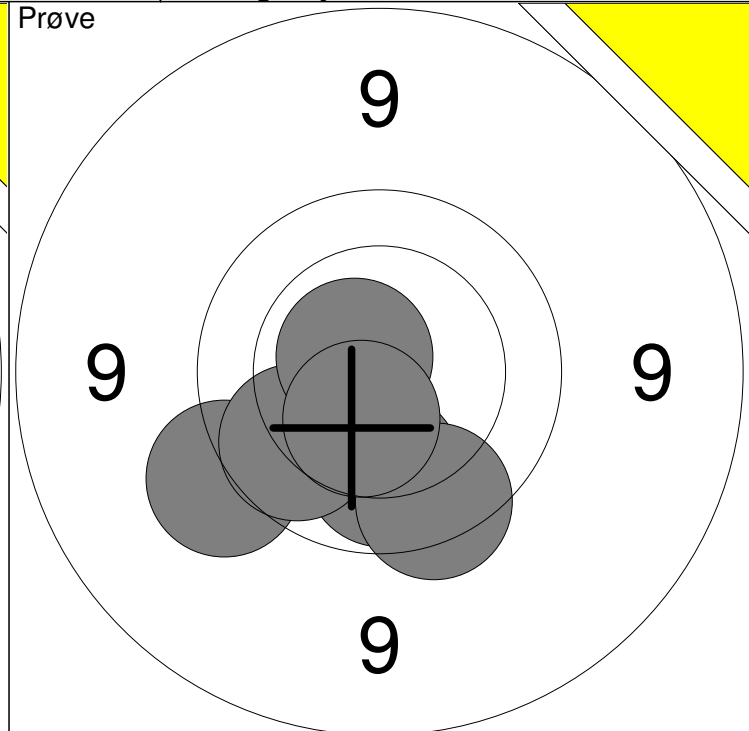
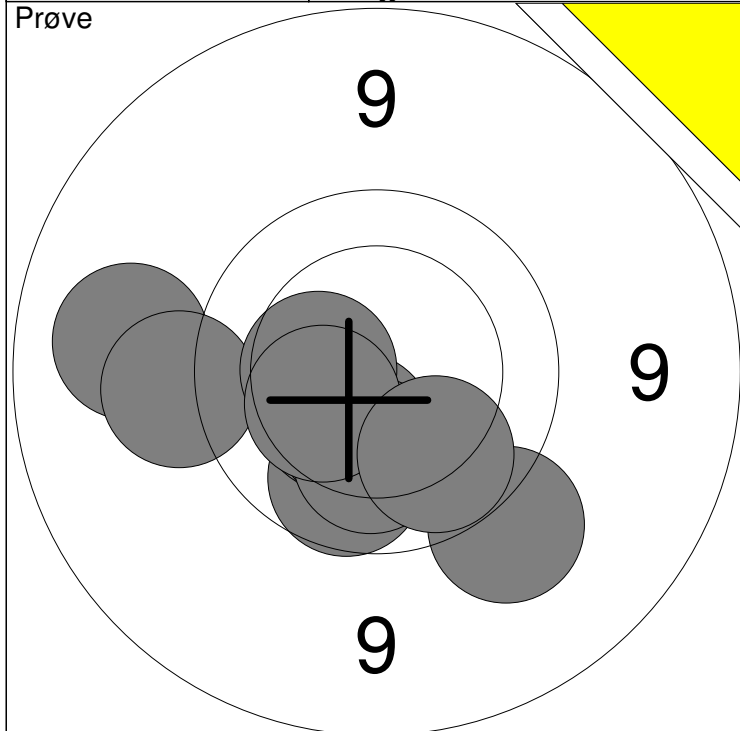
| | | |
|-----|------------------------|-----|
| 15m | Vodskov Skytteforening | MÅ1 |
|-----|------------------------|-----|

| | | |
|--|--------------------------|---------------------|
| | Nordjysk Mesterskab 2015 | Aalborg Skyttekreds |
|--|--------------------------|---------------------|

| | | | |
|--|--------------|-------|------------|
| Prøve  | 1: | 10.5 | ↘ |
| | 2: | 10.5 | → |
| | 3: | 10.3 | → |
| | 4: | 10.5 | ↘ |
| | 5: | 10.6x | → |
| | 6: | 10.1 | ← |
| | 7: | 10.0 | ↘ |
| | 8: | 10.7x | ↘ |
| | Serie | | |
| Total | | | 0.0 |

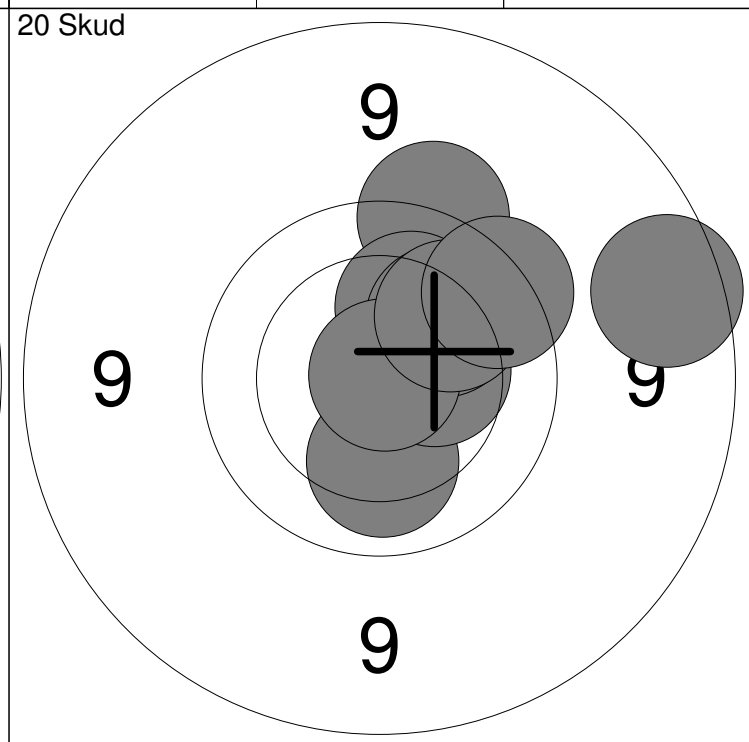
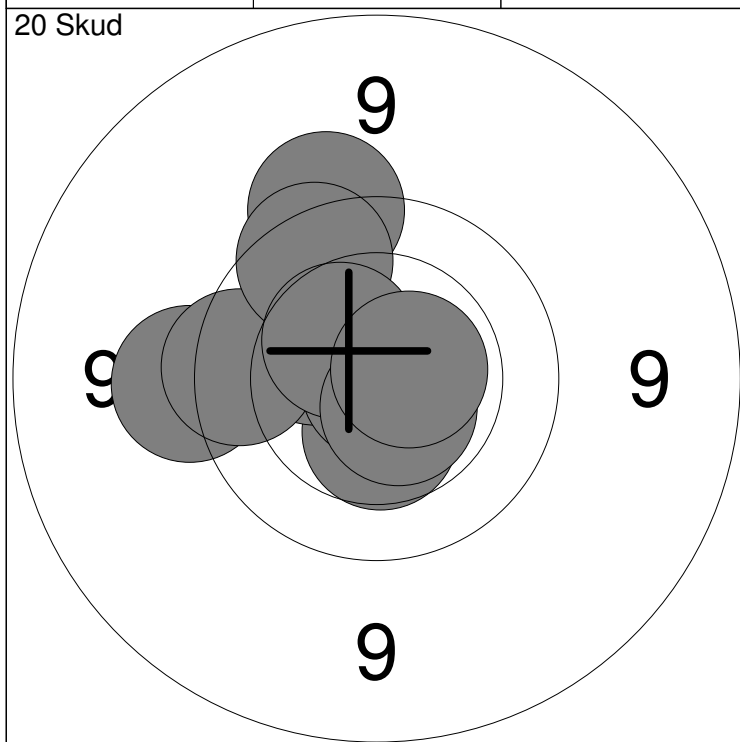
| | | | |
|---|--------------|-------|-------------|
| 20 Skud  | 1: | 10.5x | → |
| | 2: | 10.7x | ↓ |
| | 3: | 10.8x | ↘ |
| | 4: | 10.4 | → |
| | 5: | 10.7x | → |
| | 6: | 10.4 | ← |
| | 7: | 10.2 | → |
| | 8: | 10.4 | ↘ |
| | 9: | 9.9 | ← |
| | 10: | 10.8x | ↗ |
| | Serie | | |
| Total | | | 99.0 |

| | | | |
|--|--------------|-------|--------------|
| 20 Skud  | 11: | 10.4 | → |
| | 12: | 10.8x | ↑ |
| | 13: | 10.5 | ↗ |
| | 14: | 10.6x | ↑ |
| | 15: | 10.6x | ↘ |
| | 16: | 10.2 | ← |
| | 17: | 10.3 | → |
| | 18: | 10.5 | ← |
| | 19: | 10.9x | ↓ |
| | 20: | 10.3 | ↗ |
| | Serie | | |
| Total | | | 199.0 |



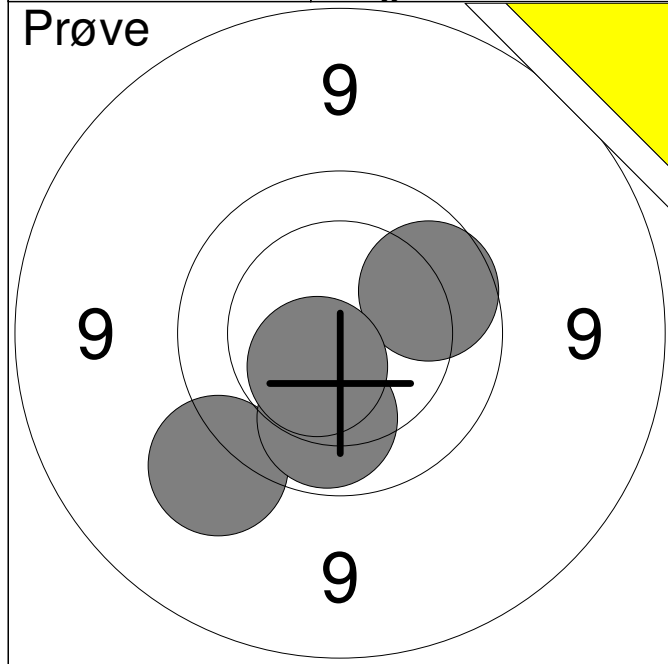
| | | | |
|-----------|------------|-------|----|
| 1: 9.2 ← | 6: 10.1 ↓ | Serie | 96 |
| 2: 9.4 ↘ | 7: 9.4 ← | | |
| 3: 9.9 ↓ | 8: 10.4 ← | Total | 0 |
| 4: 10.4 ↙ | 9: 10.3 ↙ | | |
| 5: 10.4 ↓ | 10: 10.0 ↓ | | |

| | | | |
|------------|-------------|-------|----|
| 11: 10.0 ↓ | 16: 10.5 ↓ | Serie | 57 |
| 12: 9.5 ↙ | 13: 9.9 ↙ | | |
| 14: 9.7 ↓ | 15: 10.7x ↙ | Total | 0 |
| | | | |

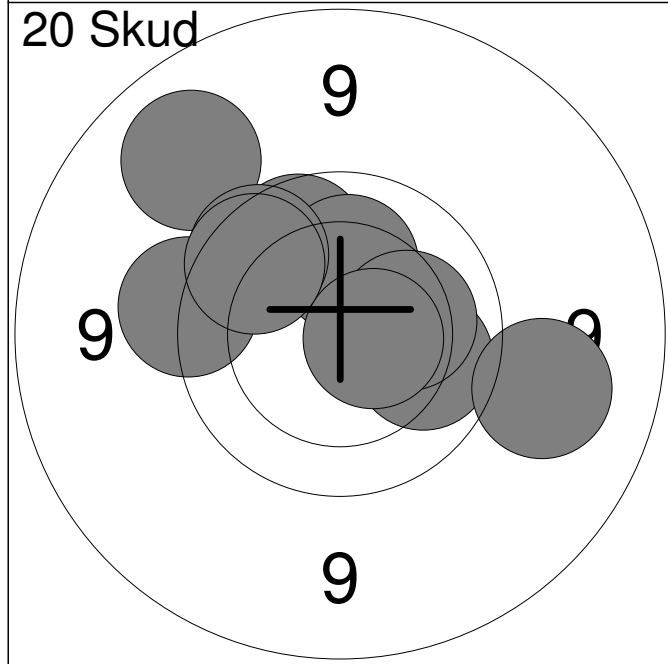


| | | | |
|-----------|-------------|-------|----|
| 1: 9.6 ↑ | 6: 10.9x ↓ | Serie | 96 |
| 2: 10.4 ↓ | 7: 9.8 ↗ | | |
| 3: 9.5 ← | 8: 10.4 ↗ | Total | 96 |
| 4: 10.3 ↖ | 9: 10.6x ↓ | | |
| 5: 9.8 ← | 10: 10.6x → | | |

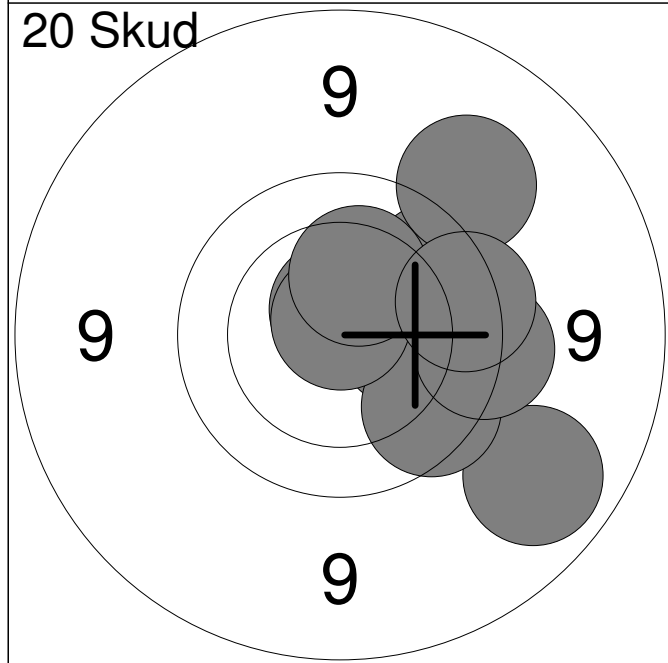
| | | | |
|------------|-------------|-------|-----|
| 11: 10.1 ↓ | 16: 10.1 ↗ | Serie | 96 |
| 12: 9.6 ↑ | 17: 8.9 → | | |
| 13: 10.0 ↗ | 18: 10.9x ↗ | Total | 192 |
| 14: 10.2 ↑ | 19: 10.0 ↗ | | |
| 15: 10.4 → | 20: 9.7 ↗ | | |



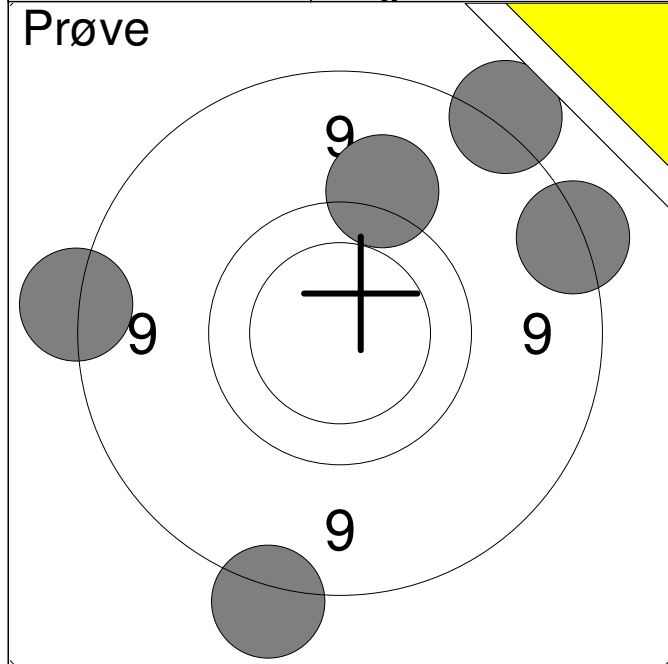
| | | |
|--------------|-------|-------------|
| 1: | 9.4 | ↙ |
| 2: | 9.9 | → |
| 3: | 10.0 | ↓ |
| 4: | 10.5x | ↙ |
| Serie | | 38.0 |
| Total | | 0.0 |



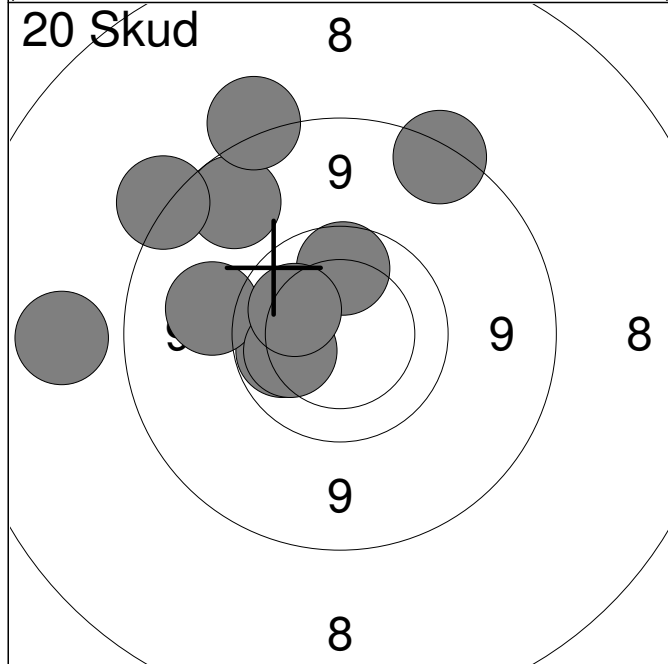
| | | |
|--------------|-------|-------------|
| 1: | 9.1 | ↗ |
| 2: | 9.9 | ↗ |
| 3: | 10.0 | → |
| 4: | 10.2 | ↑ |
| 5: | 9.6 | ← |
| 6: | 10.2 | → |
| 7: | 10.6x | → |
| 8: | 9.8 | ↗ |
| 9: | 9.8 | ↗ |
| 10: | 9.2 | → |
| Serie | | 94.0 |
| Total | | 94.0 |



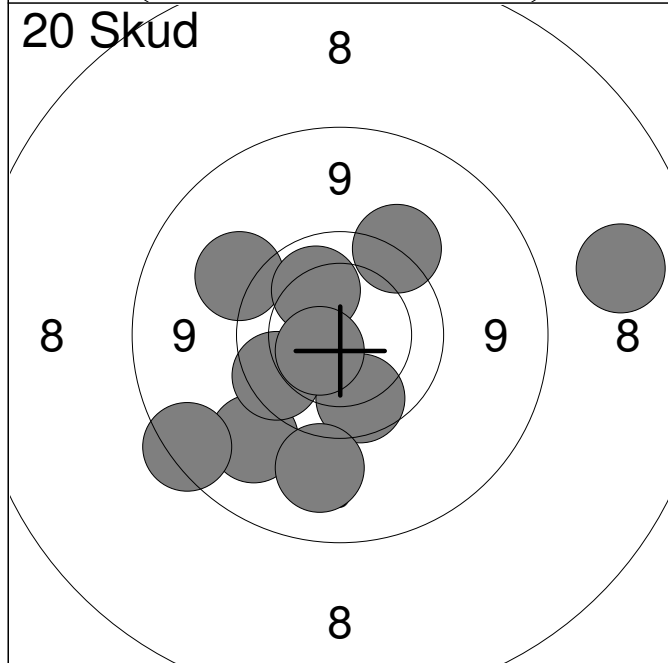
| | | |
|--------------|-------|--------------|
| 11: | 9.1 | ↘ |
| 12: | 10.2 | → |
| 13: | 9.8 | ↘ |
| 14: | 10.7x | ↑ |
| 15: | 9.8 | ↗ |
| 16: | 10.8x | ↑ |
| 17: | 9.3 | ↗ |
| 18: | 10.3 | ↑ |
| 19: | 9.6 | → |
| 20: | 9.7 | → |
| Serie | | 94.0 |
| Total | | 188.0 |



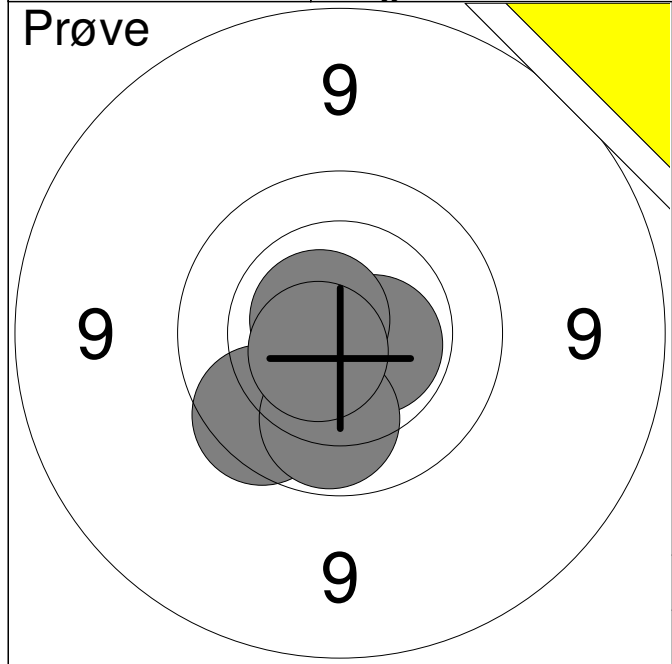
| | | | |
|--------------|----|-----|-------------|
| | 1: | 8.7 | ← |
| | 2: | 8.7 | → |
| | 3: | 8.6 | ↗ |
| | 4: | 9.4 | ↑ |
| | 5: | 8.6 | ↓ |
| Serie | | | 41.0 |
| Total | | | 0.0 |



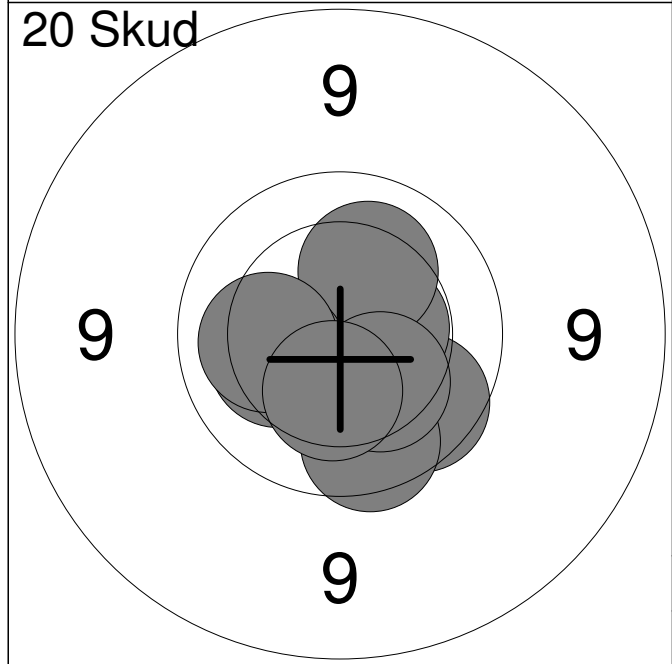
| | | | |
|--------------|-----|------|-------------|
| | 1: | 8.9 | ↗ |
| | 2: | 8.7 | ↗ |
| | 3: | 8.6 | ↗ |
| | 4: | 9.9 | ↑ |
| | 5: | 8.3 | ← |
| | 6: | 10.0 | ← |
| | 7: | 9.3 | ← |
| | 8: | 10.1 | ← |
| | 9: | 10.1 | ↗ |
| | 10: | 8.6 | ↗ |
| Serie | | | 88.0 |
| Total | | | 88.0 |



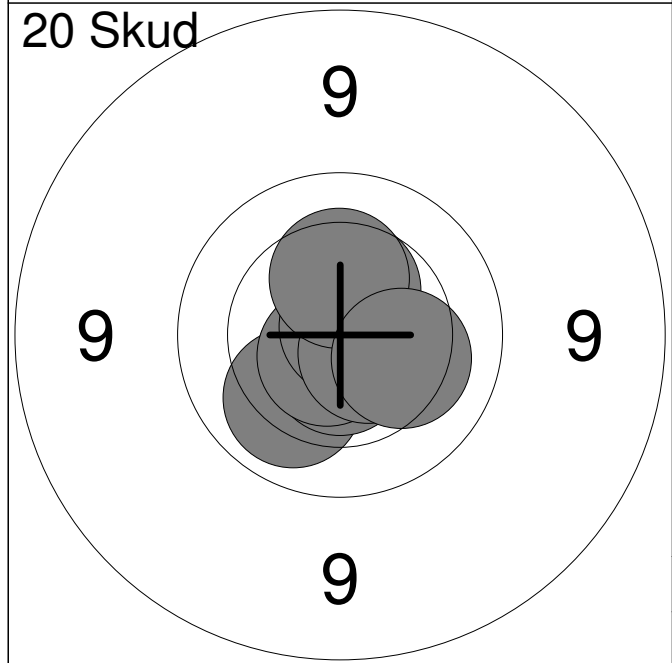
| | | | |
|--------------|-----|-------|--------------|
| | 11: | 9.9 | ↓ |
| | 12: | 8.2 | → |
| | 13: | 9.2 | ↙ |
| | 14: | 9.4 | ↗ |
| | 15: | 9.8 | ↙ |
| | 16: | 9.5 | ↗ |
| | 17: | 8.8 | ↙ |
| | 18: | 10.1 | ↗ |
| | 19: | 9.2 | ↓ |
| | 20: | 10.5x | ↙ |
| Serie | | | 90.0 |
| Total | | | 178.0 |



| | | |
|--------------|-------|-------------|
| 1: | 9.8 | ↙ |
| 2: | 10.6x | → |
| 3: | 10.0 | ↓ |
| 4: | 10.7x | ↗ |
| 5: | 10.6x | ↙ |
| Serie | | 49.0 |
| Total | | 0.0 |



| | | |
|--------------|-------|-------------|
| 1: | 10.6x | ↙ |
| 2: | 9.9 | ↘ |
| 3: | 10.5x | → |
| 4: | 10.9x | ↓ |
| 5: | 9.8 | ↘ |
| 6: | 10.2 | ↗ |
| 7: | 10.2 | ← |
| 8: | 10.2 | ← |
| 9: | 10.3 | ↘ |
| 10: | 10.3 | ↓ |
| Serie | | 98.0 |
| Total | | 98.0 |

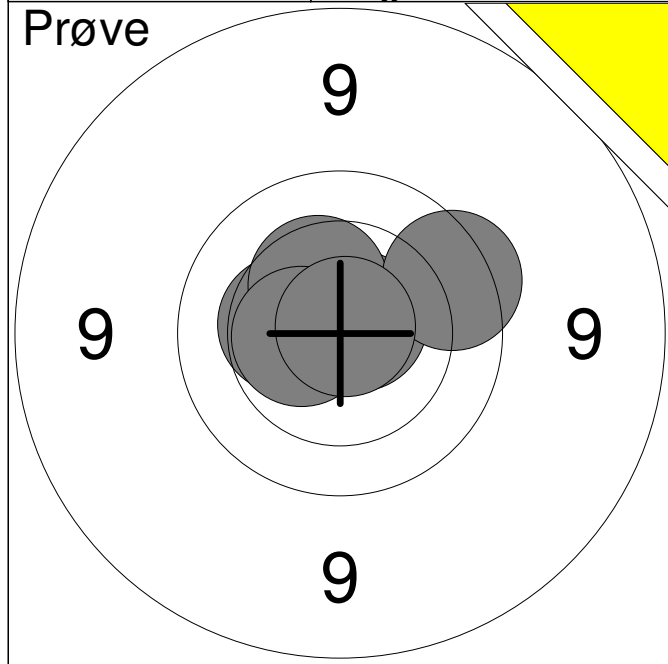


| | | |
|--------------|-------|--------------|
| 11: | 10.4 | ↑ |
| 12: | 10.6x | ↙ |
| 13: | 10.1 | ↙ |
| 14: | 10.6x | ↓ |
| 15: | 10.7x | ↙ |
| 16: | 10.5 | ↑ |
| 17: | 10.8x | ↗ |
| 18: | 10.6x | ↘ |
| 19: | 10.3 | ↑ |
| 20: | 10.2 | ↘ |
| Serie | | 100.0 |
| Total | | 198.0 |

| | | | |
|-------------------|-------------------|---------------------|--|
| Hold 27 | Skive 1 | Jens Nielsen | |
|-------------------|-------------------|---------------------|--|

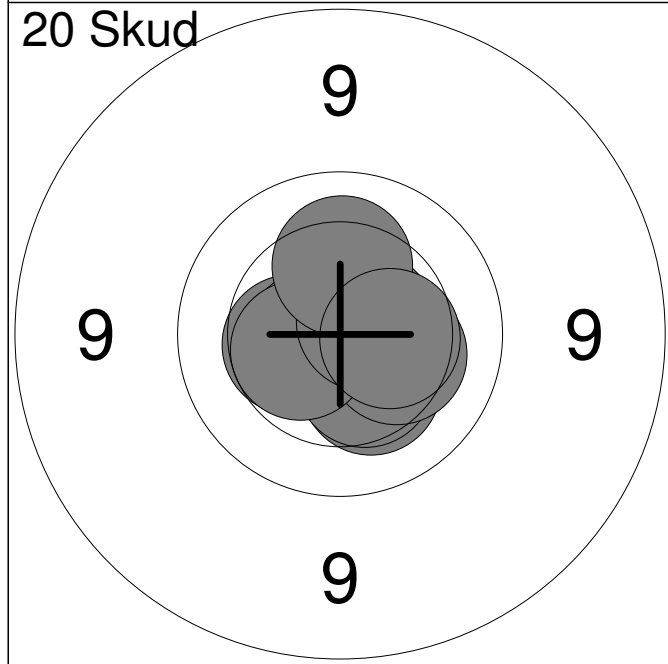
| | | |
|-----|------------------------|-----|
| 15m | Vodskov Skytteforening | MÅ1 |
|-----|------------------------|-----|

| | | |
|--|--------------------------|---------------------|
| | Nordjysk Mesterskab 2015 | Aalborg Skyttekreds |
|--|--------------------------|---------------------|



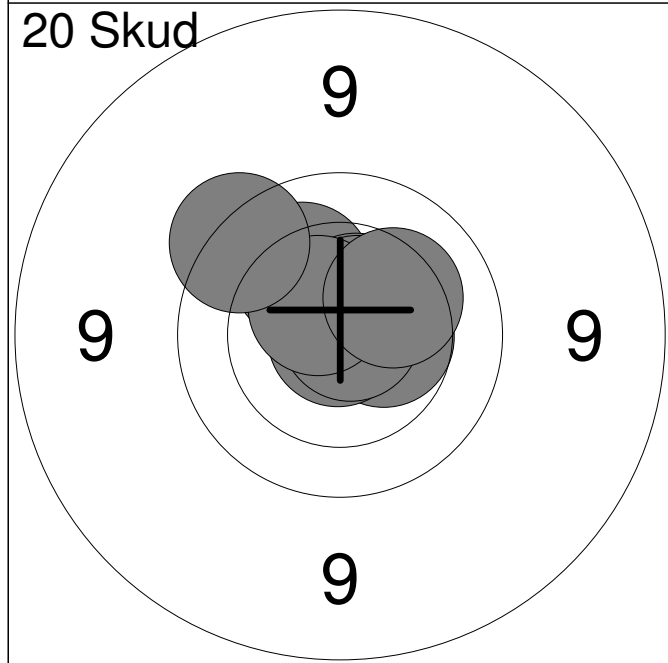
| | | |
|----|-------|---|
| 1: | 10.4 | ← |
| 2: | 10.7x | ↗ |
| 3: | 10.4 | ↑ |
| 4: | 10.5x | ← |
| 5: | 9.8 | ↗ |
| 6: | 10.9x | ↗ |

| | |
|-------|------|
| Serie | 59.0 |
| Total | 0.0 |



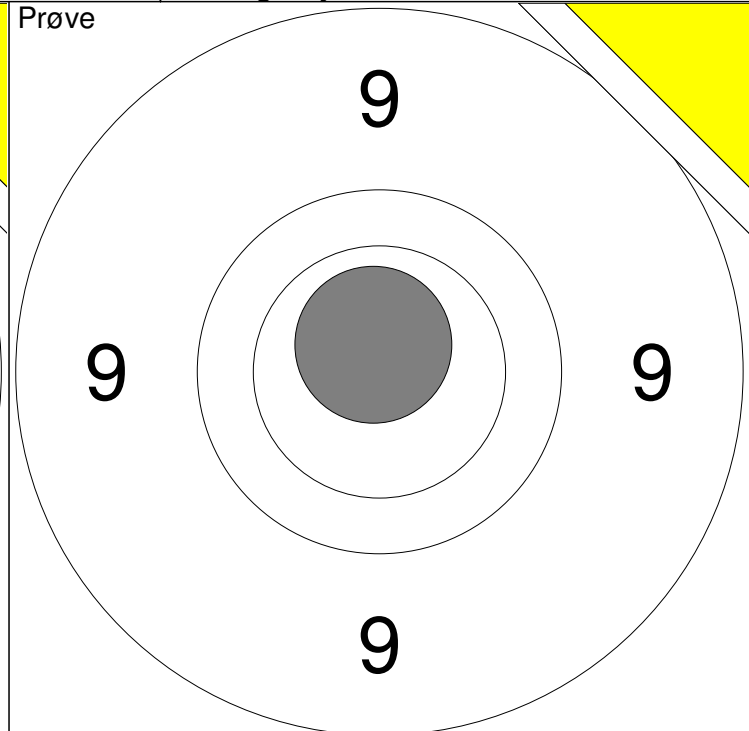
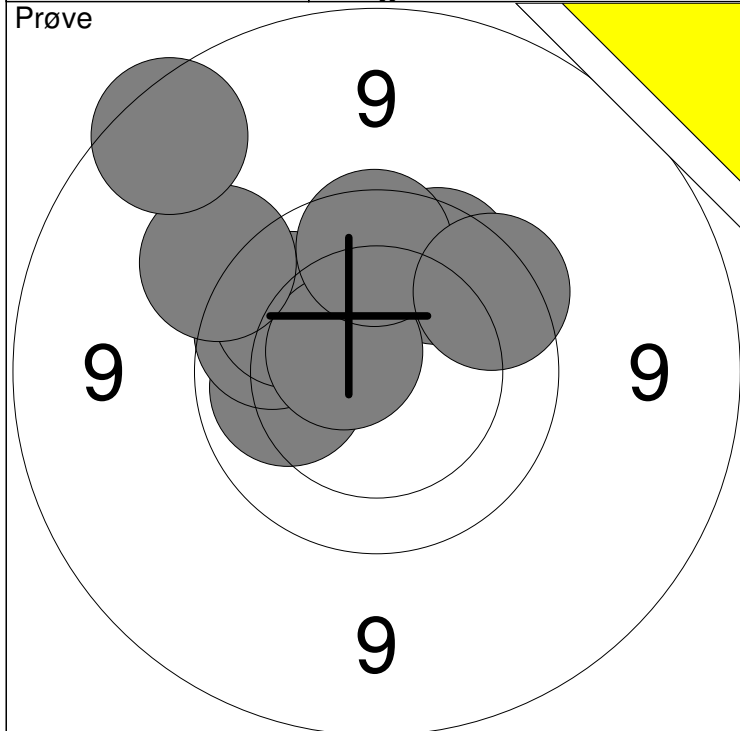
| | | |
|-----|-------|---|
| 1: | 10.3 | ↘ |
| 2: | 10.4 | ↘ |
| 3: | 10.4 | ← |
| 4: | 10.7x | ← |
| 5: | 10.3 | → |
| 6: | 10.7x | ↑ |
| 7: | 10.5 | ← |
| 8: | 10.6x | ↗ |
| 9: | 10.2 | ↑ |
| 10: | 10.4 | → |

| | |
|-------|-------|
| Serie | 100.0 |
| Total | 100.0 |



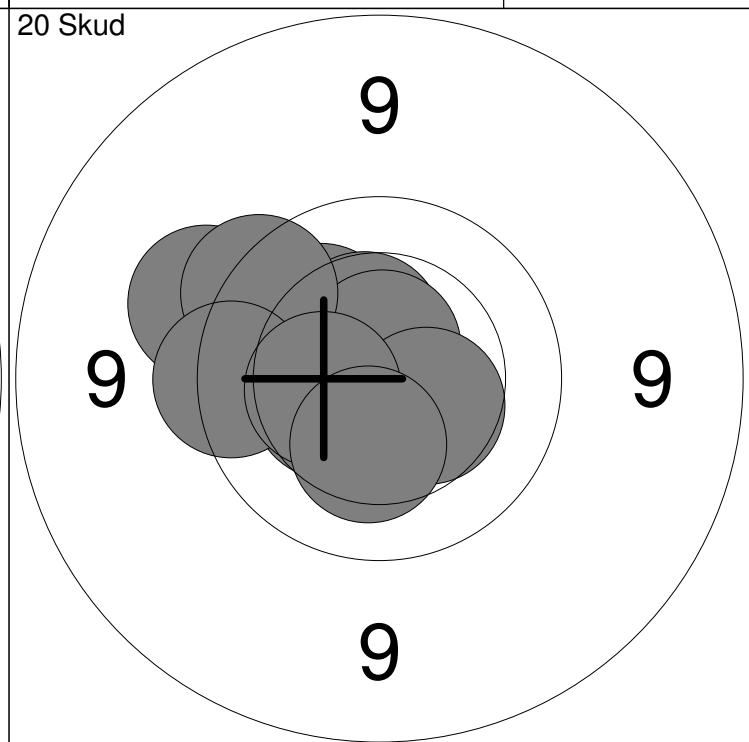
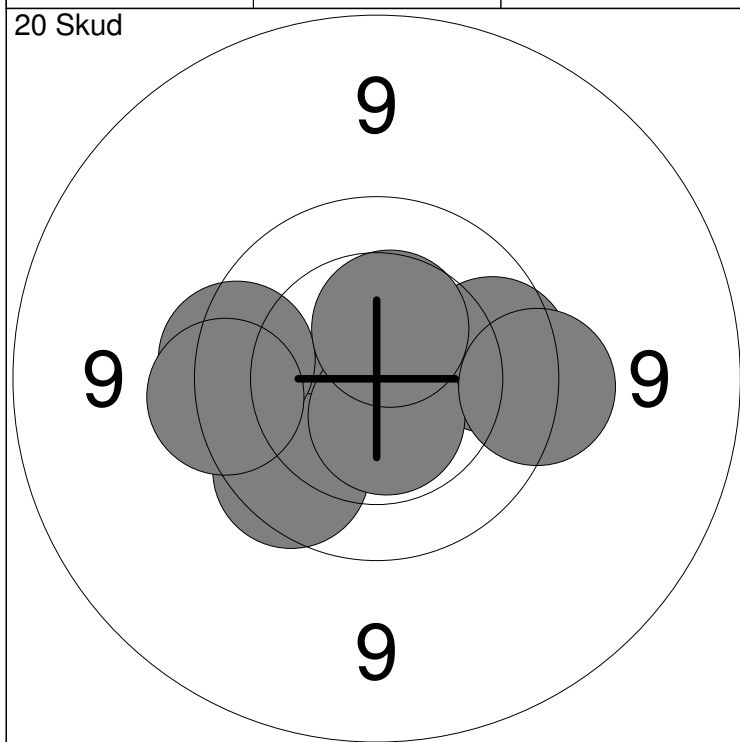
| | | |
|-----|-------|---|
| 11: | 10.2 | ↖ |
| 12: | 10.6x | ↖ |
| 13: | 10.5 | → |
| 14: | 10.9x | ↖ |
| 15: | 10.6x | ↖ |
| 16: | 10.8x | ↖ |
| 17: | 10.8x | → |
| 18: | 10.6x | ↖ |
| 19: | 9.7 | ↖ |
| 20: | 10.3 | ↗ |

| | |
|-------|-------|
| Serie | 99.0 |
| Total | 199.0 |



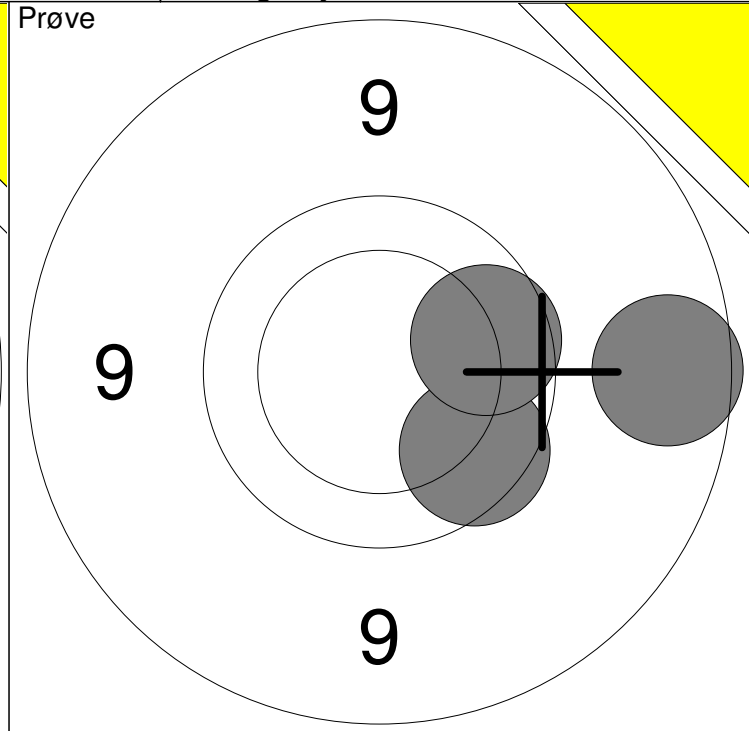
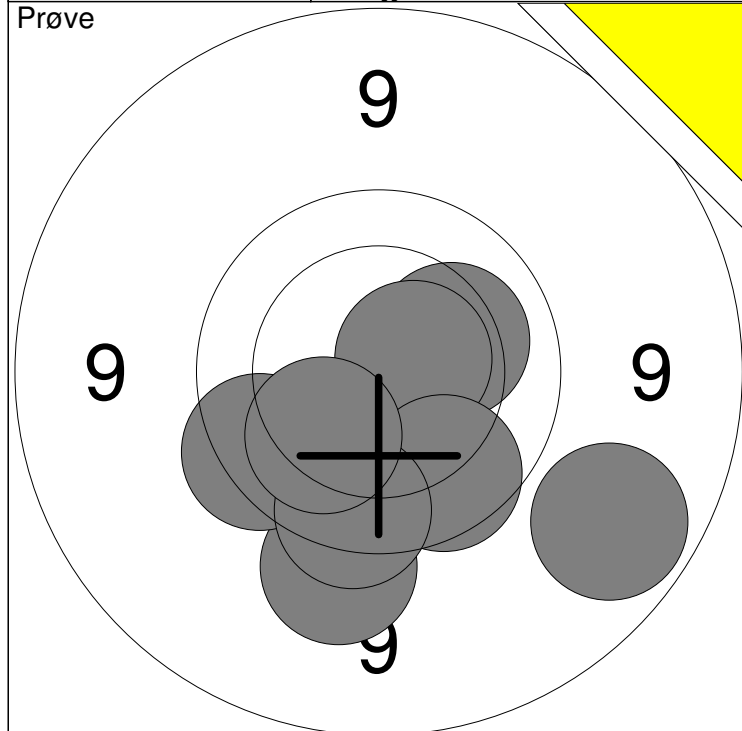
| | | | |
|-----------|------------|-------|----|
| 1: 10.2 ↗ | 6: 10.6x ↖ | Serie | 92 |
| 2: 9.8 ↗ | 7: 9.8 ↗ | | |
| 3: 10.1 ↖ | 8: 9.5 ↖ | Total | 0 |
| 4: 9.9 ↖ | 9: 9.8 ↗ | | |
| 5: 9.9 ↖ | 10: 8.8 ↖ | | |

| | | |
|-------------|-------|----|
| 11: 10.7x ↗ | Serie | 10 |
| | | |
| | Total | 0 |
| | | |



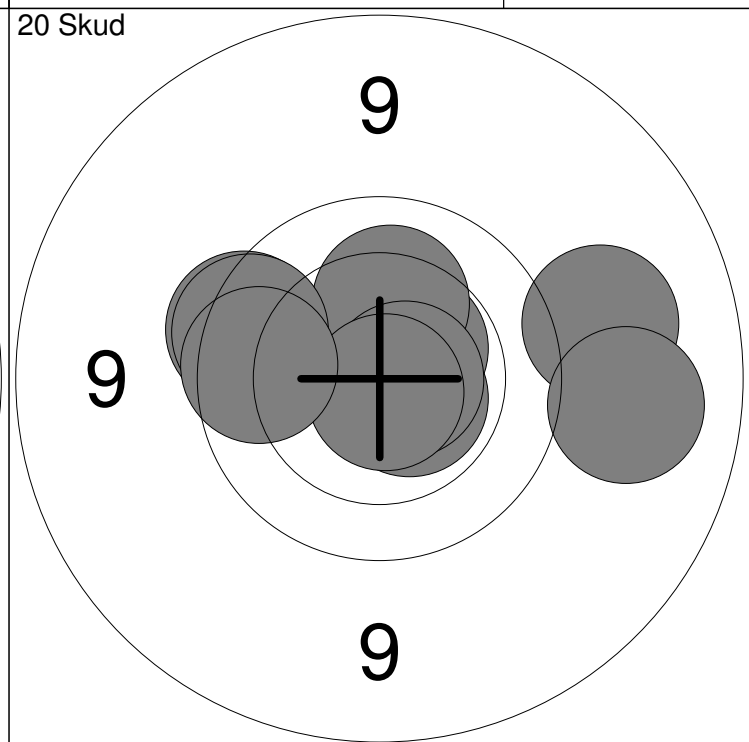
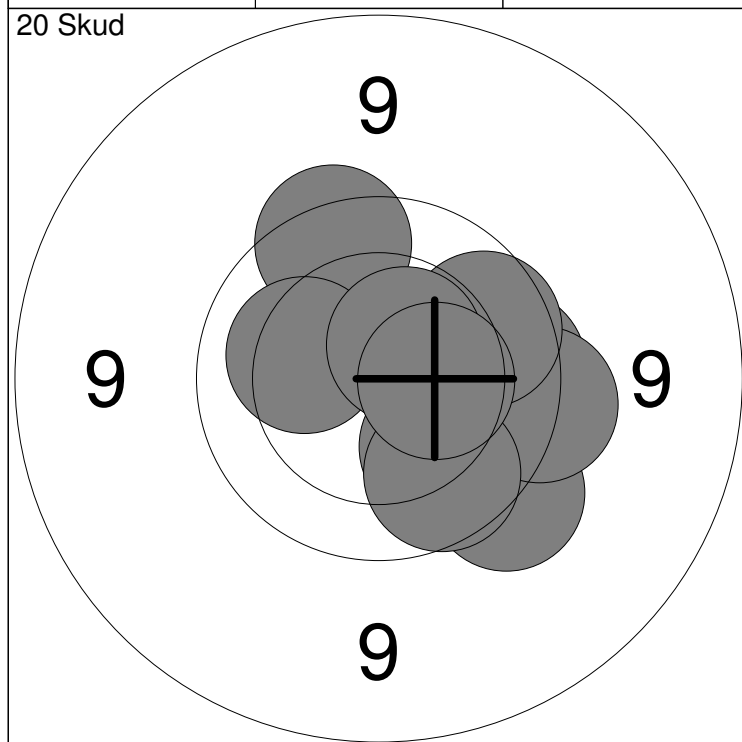
| | | | |
|------------|------------|-------|----|
| 1: 9.8 ↖ | 6: 9.7 ↖ | Serie | 94 |
| 2: 10.8x ↓ | 7: 10.6x ↓ | | |
| 3: 9.9 → | 8: 10.5 ↗ | Total | 94 |
| 4: 10.1 ↖ | 9: 9.7 ↖ | | |
| 5: 9.8 ↖ | 10: 9.6 → | | |

| | | | |
|-------------|------------|-------|-----|
| 11: 10.2 ↗ | 16: 10.4 ↘ | Serie | 97 |
| 12: 10.5 ↗ | 17: 9.7 ↖ | | |
| 13: 9.5 ↖ | 18: 9.7 ↖ | Total | 191 |
| 14: 10.4 ↖ | 19: 10.4 ↖ | | |
| 15: 10.7x ↗ | 20: 10.3 ↓ | | |



| | | | |
|-----------|------------|-------|----|
| 1: 9.4 ↓ | 6: 10.6x → | Serie | 95 |
| 2: 10.0 ↓ | 7: 9.0 → | | |
| 3: 10.1 ↓ | 8: 9.9 ↓ | Total | 0 |
| 4: 10.2 → | 9: 9.7 ↓ | | |
| 5: 9.7 ↙ | 10: 10.1 ↘ | | |

| | | |
|-----------|-------|----|
| 11: 9.8 ↓ | Serie | 26 |
| 12: 8.9 → | | |
| 13: 9.9 → | Total | 0 |
| | | |



| | | | |
|-----------|------------|-------|----|
| 1: 9.8 → | 6: 9.7 ↗ | Serie | 94 |
| 2: 9.6 ↓ | 7: 10.2 ↖ | | |
| 3: 10.1 ↓ | 8: 10.5x ↗ | Total | 94 |
| 4: 9.6 → | 9: 9.9 ↓ | | |
| 5: 9.9 → | 10: 10.4 → | | |

| | | | |
|-------------|-------------|-------|-----|
| 11: 10.6x ↓ | 16: 9.8 ↖ | Serie | 95 |
| 12: 10.5x ↗ | 17: 10.7x → | | |
| 13: 10.2 ↗ | 18: 10.8x ↓ | Total | 189 |
| 14: 9.7 ↖ | 19: 9.9 ↖ | | |
| 15: 9.3 → | 20: 9.2 → | | |

Hold
27

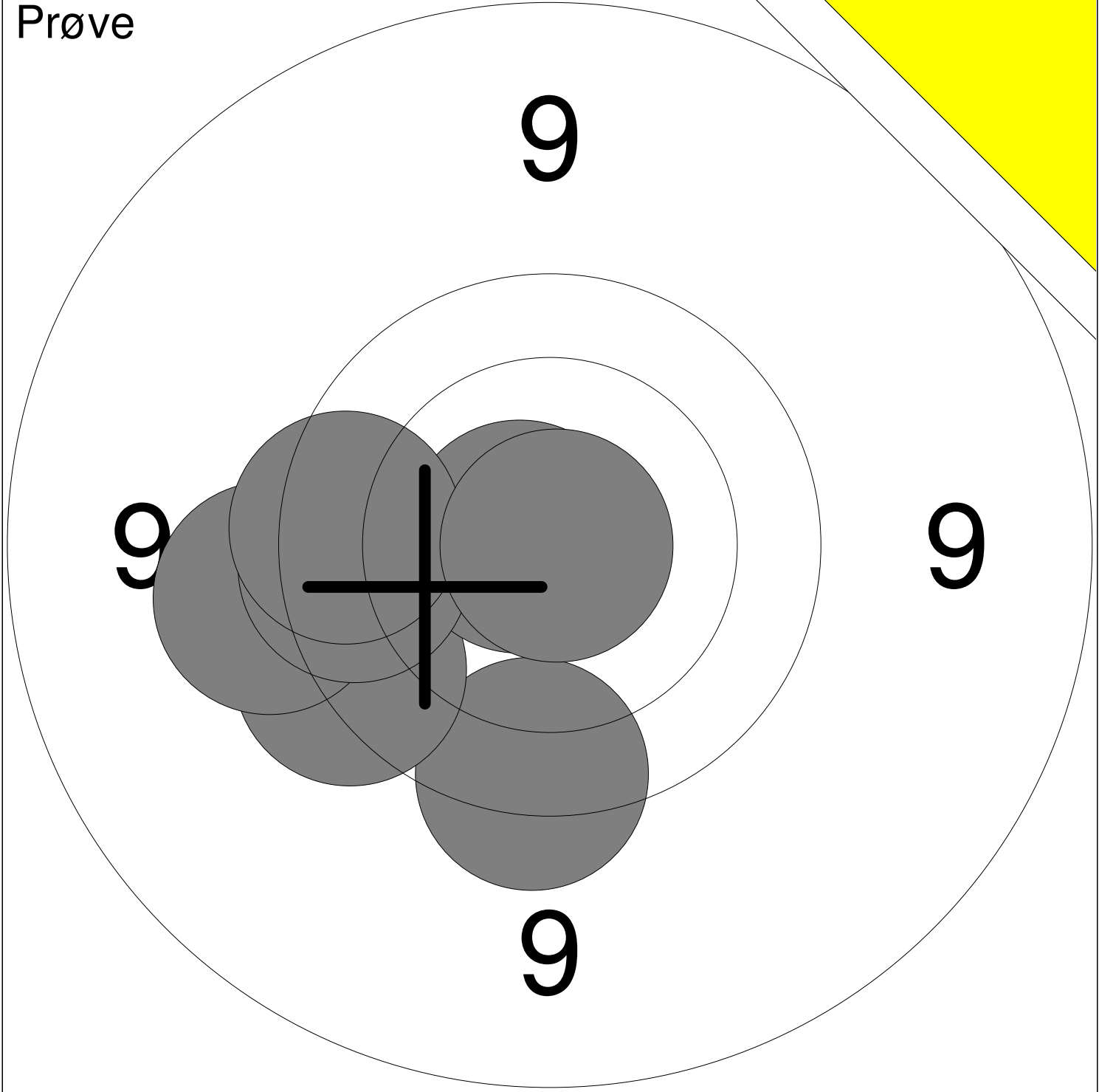
Skive
6

15m

Nordjysk Mesterskab 2015

Aalborg Skyttekreds

Prøve



1: 9.7



6: 9.8



2: 9.7



7: 10.9x



3: 10.7x



Serie 65

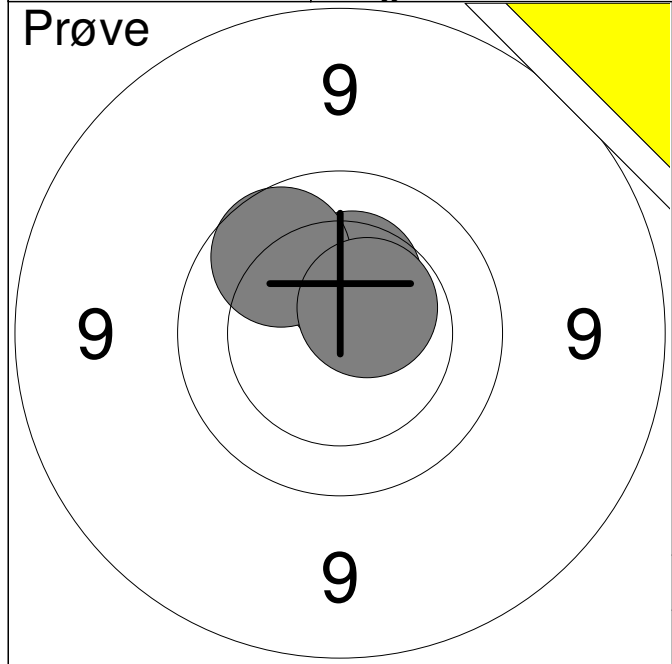
4: 9.5



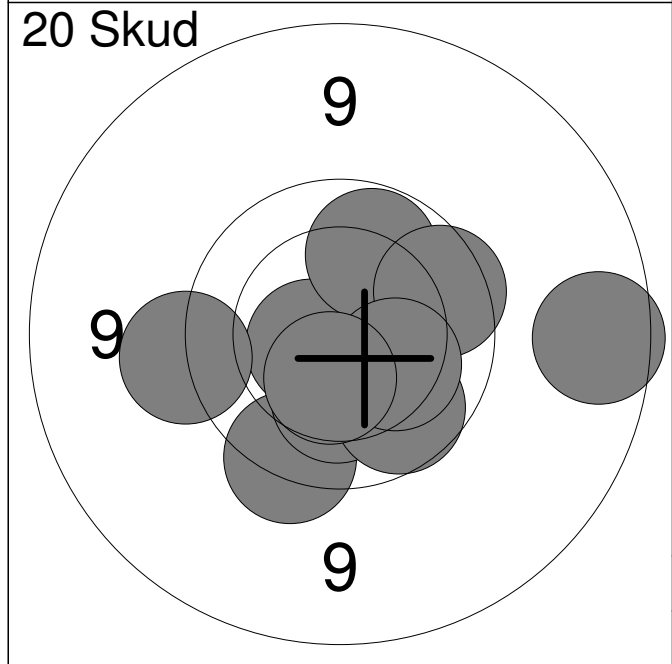
Total 0

5: 9.8

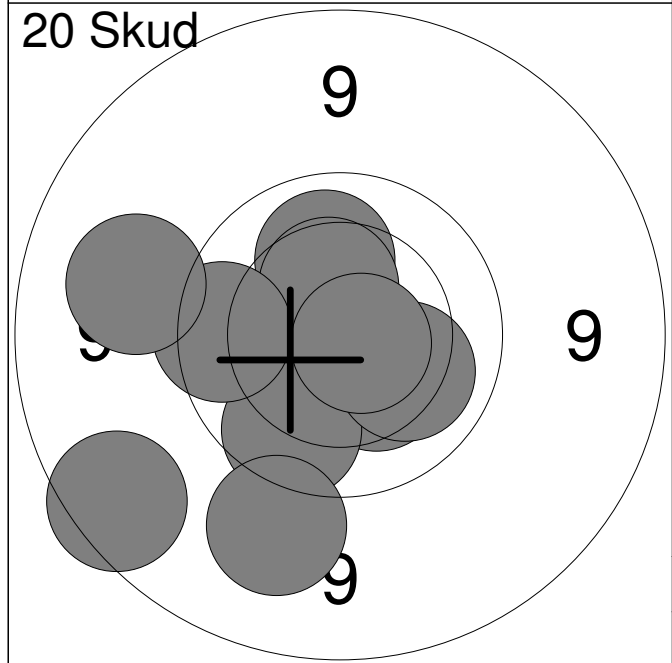




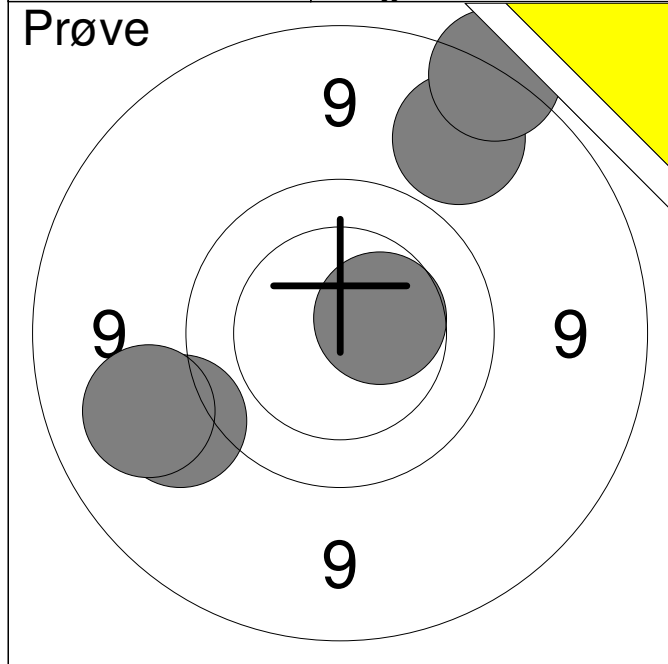
| | | | |
|--------------|----|-------|-------------|
| | 1: | 10.4 | ↑ |
| | 2: | 9.9 | ↖ |
| | 3: | 10.5x | ↗ |
| Serie | | | 29.0 |
| Total | | | 0.0 |



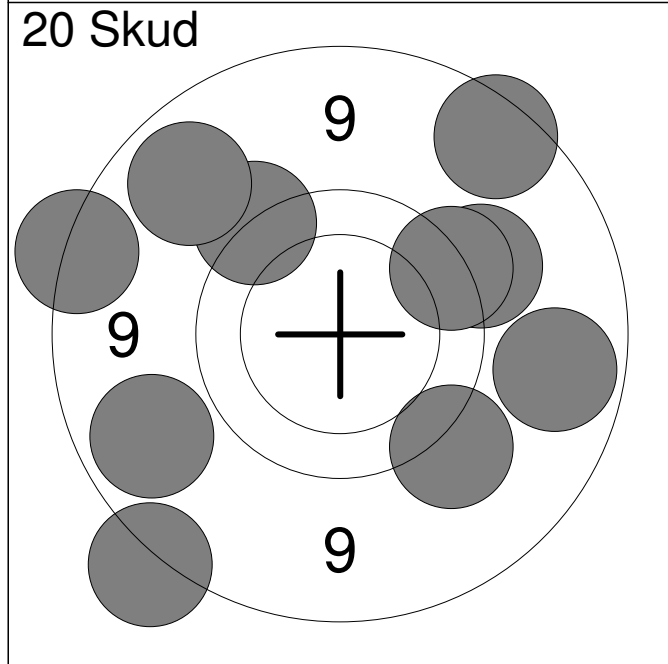
| | | | |
|--------------|-----|-------|-------------|
| | 1: | 8.9 | → |
| | 2: | 10.6x | ← |
| | 3: | 10.0 | ↑ |
| | 4: | 9.7 | ↓ |
| | 5: | 9.8 | → |
| | 6: | 10.2 | ↓ |
| | 7: | 9.9 | ↓ |
| | 8: | 10.2 | → |
| | 9: | 9.5 | ← |
| | 10: | 10.4 | ↓ |
| Serie | | | 94.0 |
| Total | | | 94.0 |



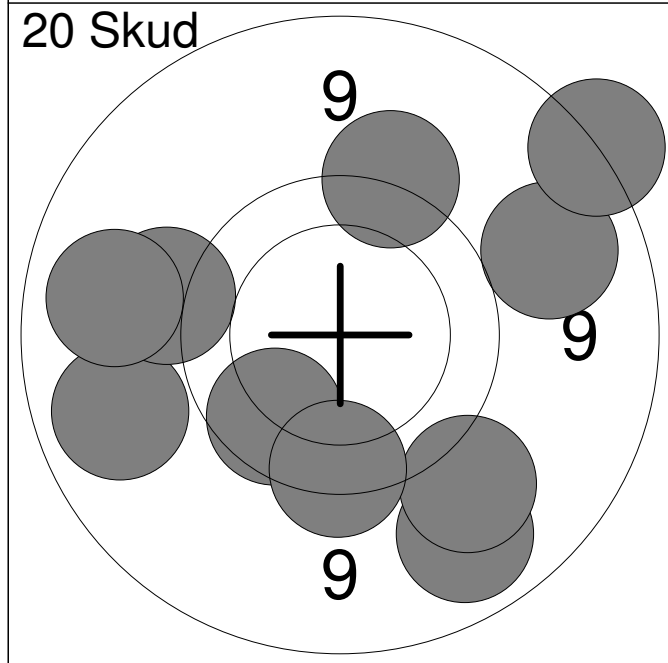
| | | | |
|--------------|-----|-------|--------------|
| | 11: | 10.3 | ↓ |
| | 12: | 9.9 | ↓ |
| | 13: | 9.3 | ↓ |
| | 14: | 10.1 | ↑ |
| | 15: | 10.4 | ↑ |
| | 16: | 9.8 | ← |
| | 17: | 10.1 | ↓ |
| | 18: | 9.2 | ← |
| | 19: | 10.7x | → |
| | 20: | 8.9 | ↖ |
| Serie | | | 94.0 |
| Total | | | 188.0 |



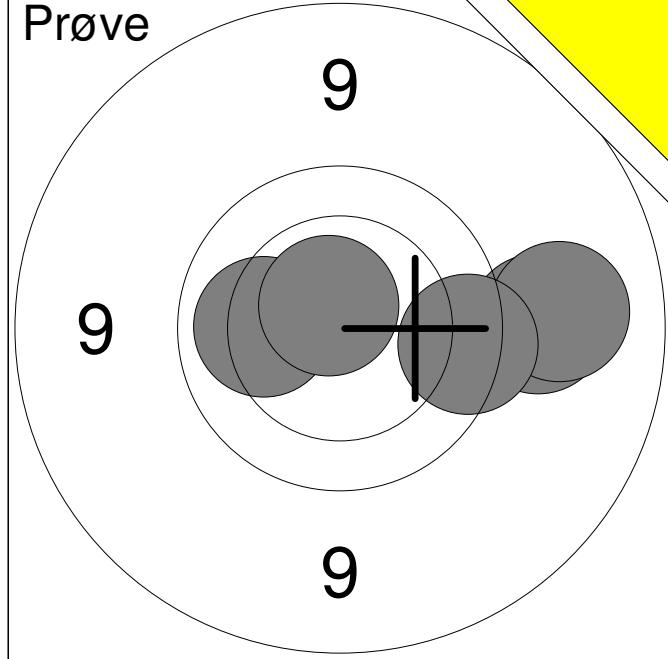
| | | |
|--------------|------|-------------|
| 1: | 10.5 | → |
| 2: | 9.3 | ← |
| 3: | 9.0 | ↑ |
| 4: | 9.2 | ← |
| 5: | 8.7 | ↑ |
| Serie | | 45.0 |
| Total | | 0.0 |



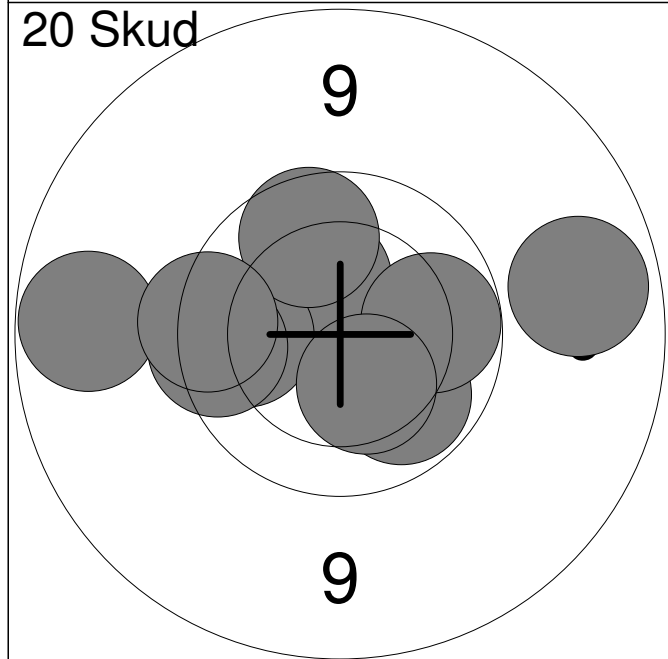
| | | |
|--------------|-----|-------------|
| 1: | 8.8 | ↗ |
| 2: | 9.0 | ← |
| 3: | 8.7 | ← |
| 4: | 9.5 | ↗ |
| 5: | 9.4 | ↘ |
| 6: | 8.6 | ↘ |
| 7: | 9.0 | → |
| 8: | 9.4 | ↗ |
| 9: | 9.0 | ↗ |
| 10: | 9.6 | ↗ |
| Serie | | 87.0 |
| Total | | 87.0 |



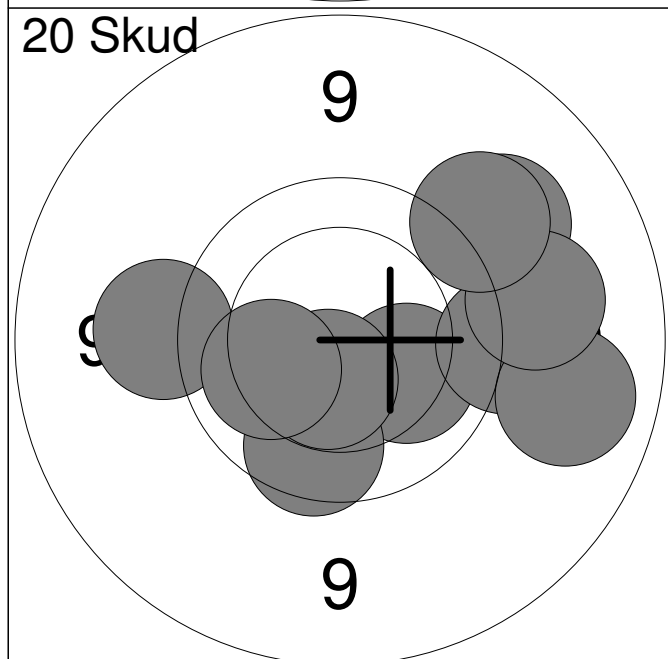
| | | |
|--------------|-----|--------------|
| 11: | 9.5 | ↑ |
| 12: | 9.1 | → |
| 13: | 9.1 | ← |
| 14: | 9.0 | ↘ |
| 15: | 9.4 | ← |
| 16: | 9.3 | ↘ |
| 17: | 9.9 | ↘ |
| 18: | 8.7 | ↗ |
| 19: | 9.1 | ← |
| 20: | 9.7 | ↓ |
| Serie | | 89.0 |
| Total | | 176.0 |



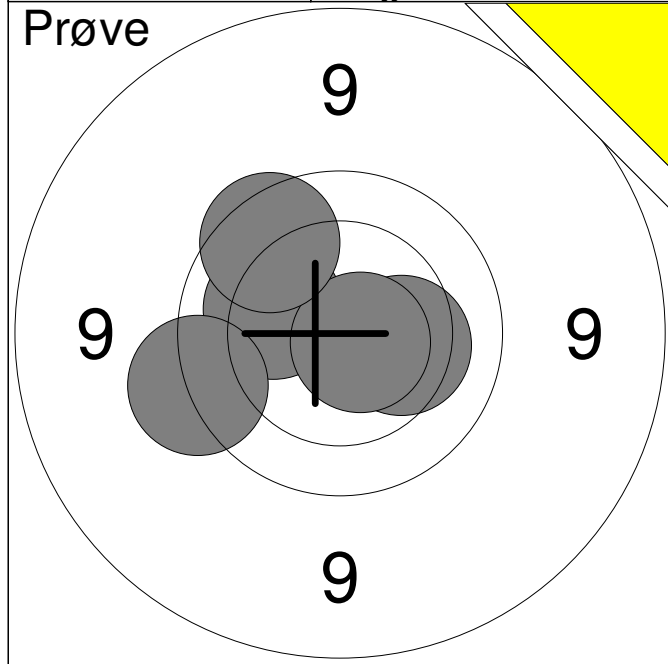
| | | |
|--------------|-------|-------------|
| 1: | 10.1 | ← |
| 2: | 9.3 | → |
| 3: | 10.7x | ↗ |
| 4: | 9.2 | → |
| 5: | 9.7 | → |
| Serie | | 47.0 |
| Total | | 0.0 |



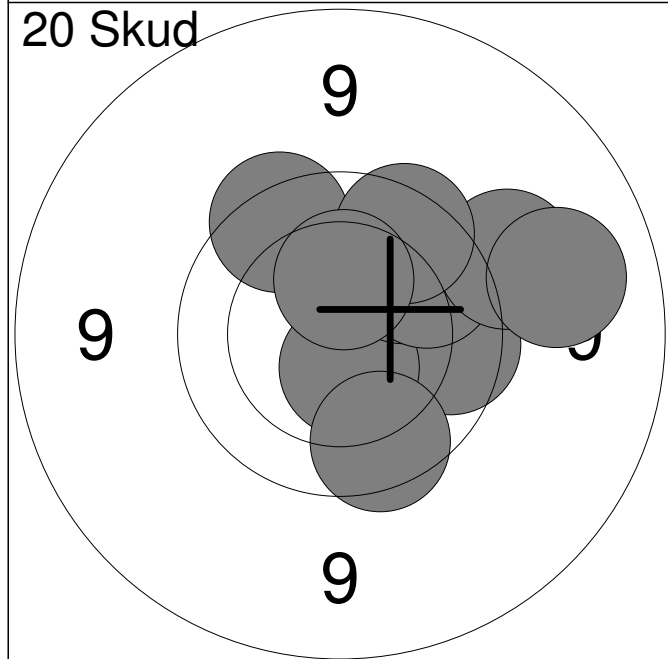
| | | |
|--------------|------|-------------|
| 1: | 10.0 | ↘ |
| 2: | 10.4 | ↗ |
| 3: | 9.9 | ← |
| 4: | 9.0 | ← |
| 5: | 10.0 | → |
| 6: | 9.8 | ← |
| 7: | 9.0 | → |
| 8: | 9.9 | ↗ |
| 9: | 10.3 | ↘ |
| 10: | 9.7 | ← |
| Serie | | 94.0 |
| Total | | 94.0 |



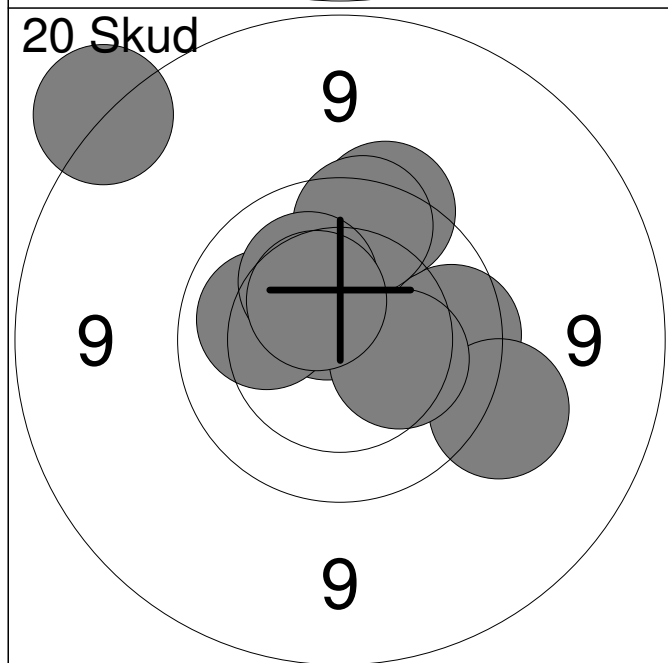
| | | |
|--------------|-------|--------------|
| 11: | 10.1 | ↘ |
| 12: | 9.8 | ↘ |
| 13: | 9.5 | → |
| 14: | 9.3 | ↗ |
| 15: | 9.1 | → |
| 16: | 9.4 | ← |
| 17: | 10.5x | ↘ |
| 18: | 9.3 | → |
| 19: | 10.1 | ← |
| 20: | 9.4 | ↗ |
| Serie | | 93.0 |
| Total | | 187.0 |



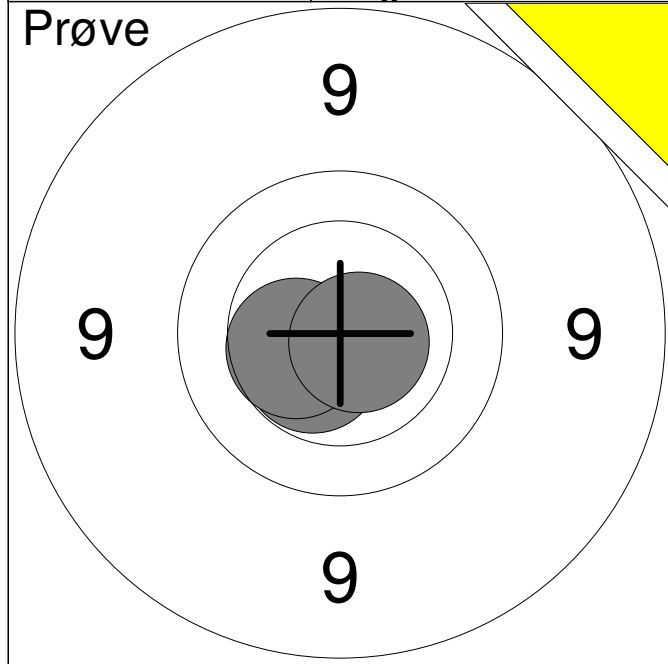
| | | |
|--------------|-------|-------------|
| 1: | 10.2 | ↗ |
| 2: | 9.6 | ↖ |
| 3: | 10.3 | → |
| 4: | 10.7x | ↘ |
| 5: | 9.8 | ↗ |
| Serie | | 48.0 |
| Total | | 0.0 |



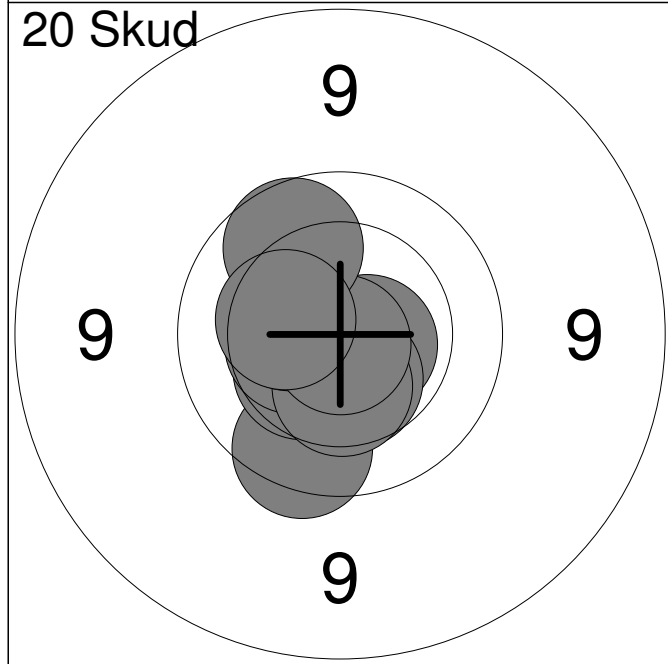
| | | |
|--------------|-------|-------------|
| 1: | 9.8 | → |
| 2: | 9.7 | ↗ |
| 3: | 10.6x | ↘ |
| 4: | 10.0 | ↗ |
| 5: | 9.9 | ↗ |
| 6: | 9.4 | → |
| 7: | 9.1 | → |
| 8: | 9.8 | ↗ |
| 9: | 10.4 | ↑ |
| 10: | 9.8 | ↘ |
| Serie | | 93.0 |
| Total | | 93.0 |



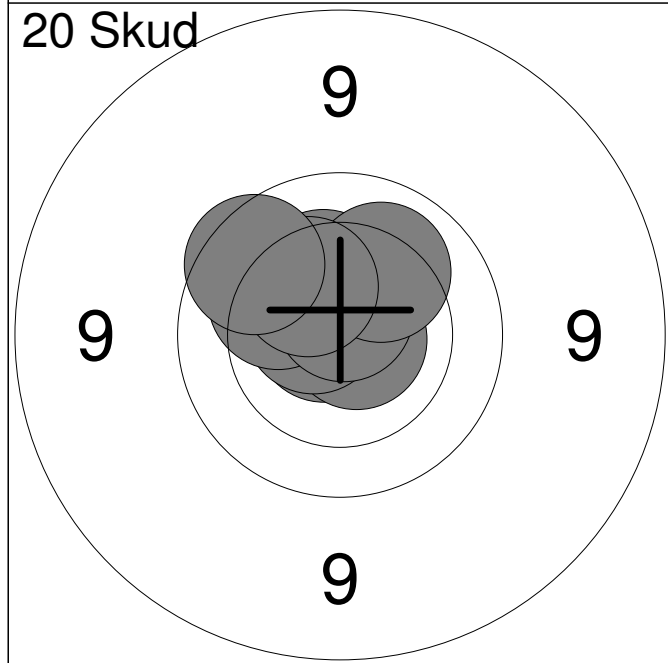
| | | |
|--------------|-------|--------------|
| 11: | 8.7 | ↗ |
| 12: | 9.8 | → |
| 13: | 9.7 | ↗ |
| 14: | 10.6x | ↗ |
| 15: | 9.8 | ↗ |
| 16: | 9.5 | ↘ |
| 17: | 10.1 | ↖ |
| 18: | 10.2 | ↗ |
| 19: | 10.3 | ↘ |
| 20: | 10.5 | ↗ |
| Serie | | 94.0 |
| Total | | 187.0 |



| | | |
|--------------|-------------|---|
| 1: | 10.5x | ↙ |
| 2: | 10.4 | ← |
| 3: | 10.7x | ↘ |
| Serie | 30.0 | |
| Total | 0.0 | |



| | | |
|--------------|-------------|---|
| 1: | 9.8 | ↘ |
| 2: | 10.4 | ↙ |
| 3: | 10.6x | ↘ |
| 4: | 10.5 | ↘ |
| 5: | 10.4 | ← |
| 6: | 10.4 | ↘ |
| 7: | 10.4 | ↗ |
| 8: | 10.8x | ↘ |
| 9: | 9.9 | ↗ |
| 10: | 10.3 | ← |
| Serie | 98.0 | |
| Total | 98.0 | |



| | | |
|--------------|--------------|---|
| 11: | 10.8x | ← |
| 12: | 10.8x | ↘ |
| 13: | 10.6x | ↗ |
| 14: | 10.3 | ↗ |
| 15: | 10.6x | ↗ |
| 16: | 10.2 | ↗ |
| 17: | 10.7x | ↗ |
| 18: | 10.1 | ↗ |
| 19: | 10.3 | ↗ |
| 20: | 9.8 | ↗ |
| Serie | 99.0 | |
| Total | 197.0 | |